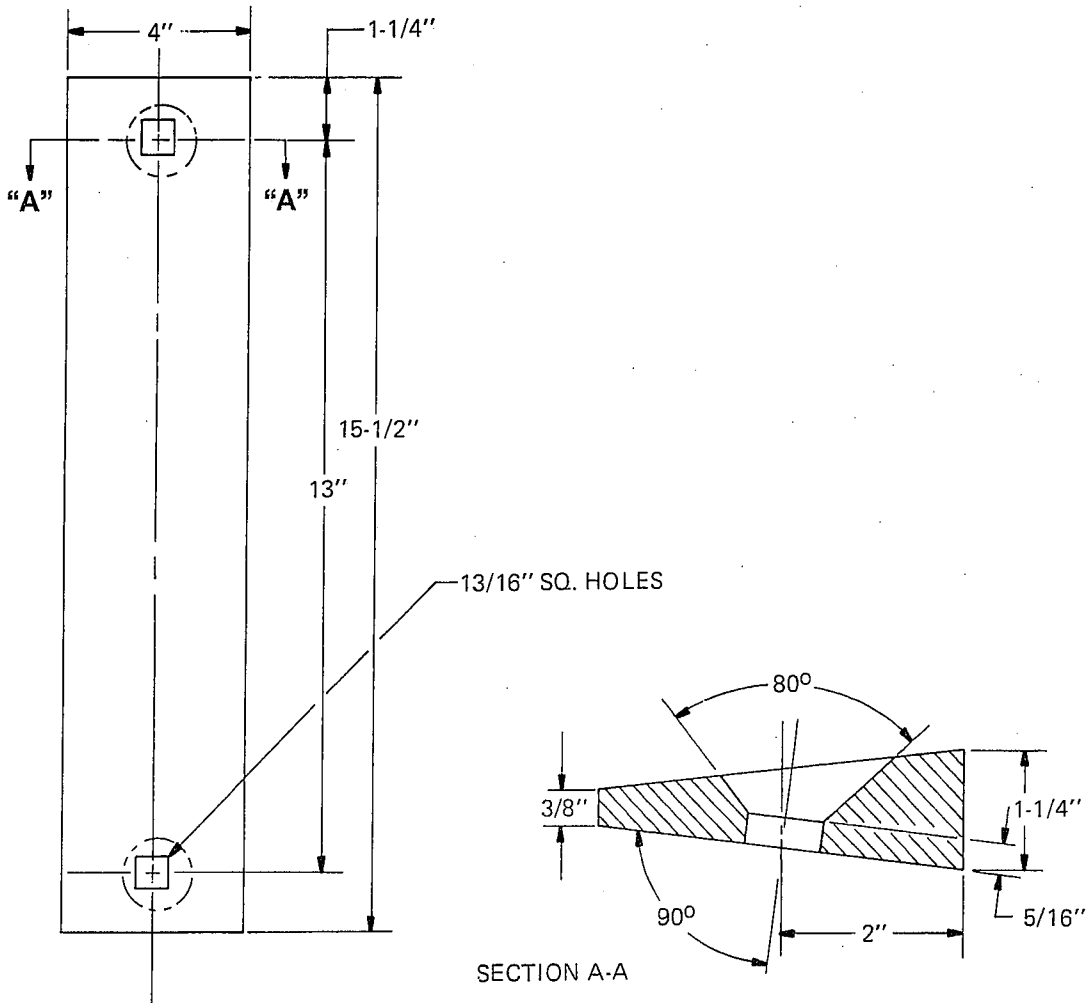


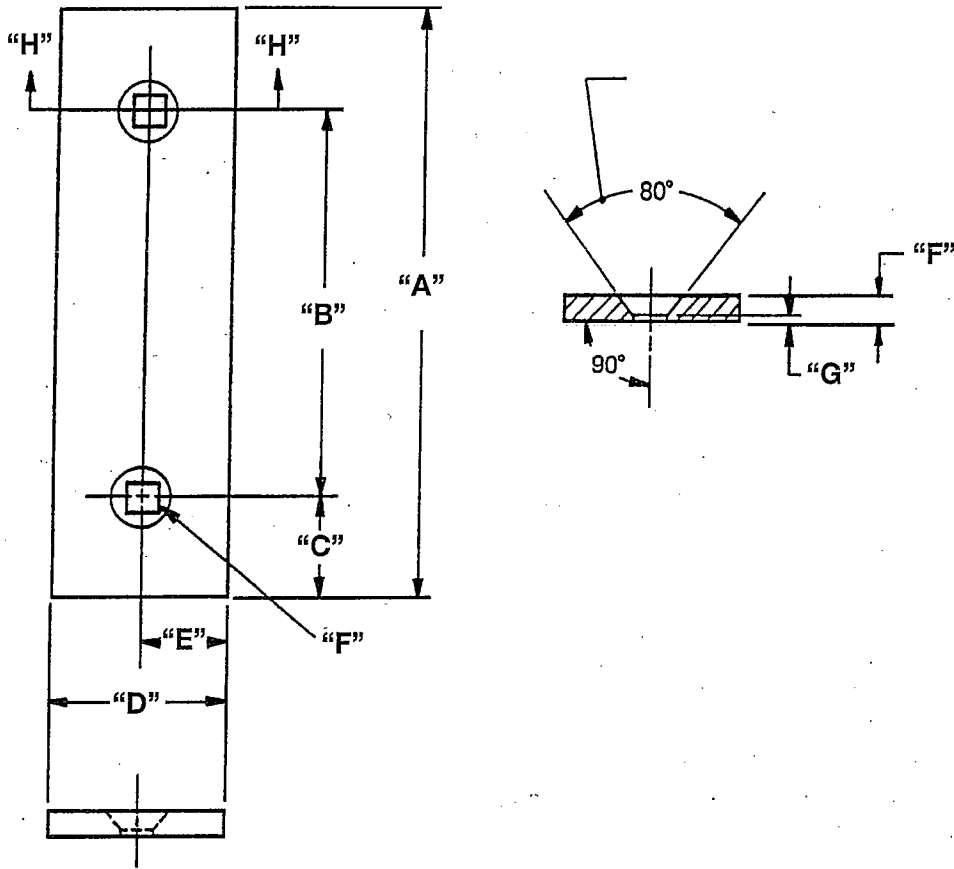
BODY SIDE BEARING	MATERIAL	WEIGHT
DWG. 11-80734 Stock Part 58327390	ASTM A-576 Gr. C-1050 Si .15-.30% 277-341 BHN	16.5 lbs.

Variations in width and length dimensions available to meet your requirements. Specify or furnish sketch.



BODY SIDE BEARING	MATERIAL	WEIGHT
DWG. 11-62200 Stock Part 58327600	ASTM A-576 Gr. C-1050 Si .15-.30% 277 to 341 BHN	14.5 lbs.

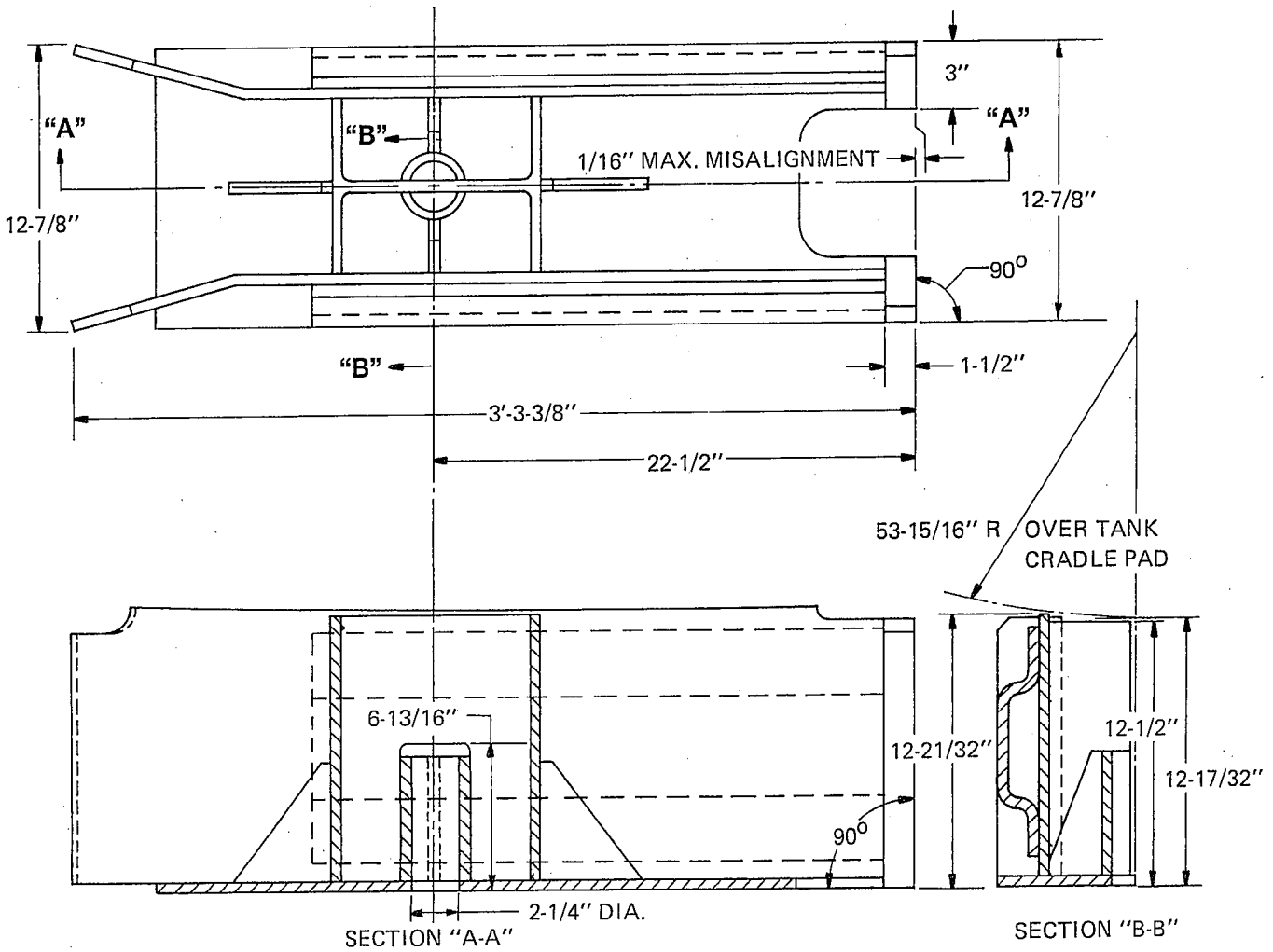
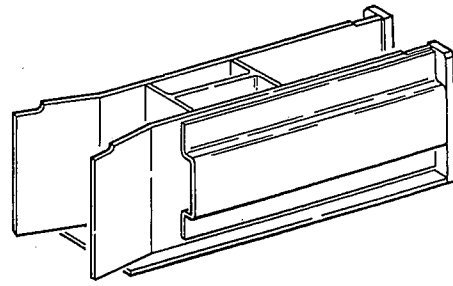
Variations in width and length dimensions available to meet your requirements. Specify or furnish sketch.



LINE	A	B	C	D	E	F	G	WT. (LBS.)
1	14"	10"	2"	4"	2"	1/2"	.200"	7.6
4	14-1/2"	10-1/2"	2"	4"	2"	5/8"	.200"	9.8
6	19"	16-1/2"	1-1/4"	4"	2"	5/8"	.200"	13.4
8	14"	11"	1-1/2"	4"	2"	5/8"	.200"	9.5
9	14"	10-1/2"	1-3/4"	4"	2"	5/8"	.200"	9.5
12	19"	16"	1-1/2"	5"	2-1/2"	5/8"	.200"	13.0
13	19"	10-1/2"	4-1/4"	5"	2-1/2"	5/8"	.200"	13.0
16	18"	15-1/2"	1-1/4"	4"	2"	3/4"	.325"	14.7
17	14"	11"	1-1/2"	4"	2"	1/2"	.200"	7.6
18	14"	10"	2"	4"	2"	5/8"	.200"	10.4
25	19-3/4"	17-1/2"	1-1/8"	5"	2-1/2"	5/8"	.200"	17.5
29	21"	18-3/4"	1-1/8"	4"	2"	5/8"	.200"	14.9
31	14"	11"	1-1/2"	5"	2-1/2"	5/8"	.200"	9.9
32	14"	10-1/2"	1-3/4"	4"	2"	1/2"	.200"	7.6

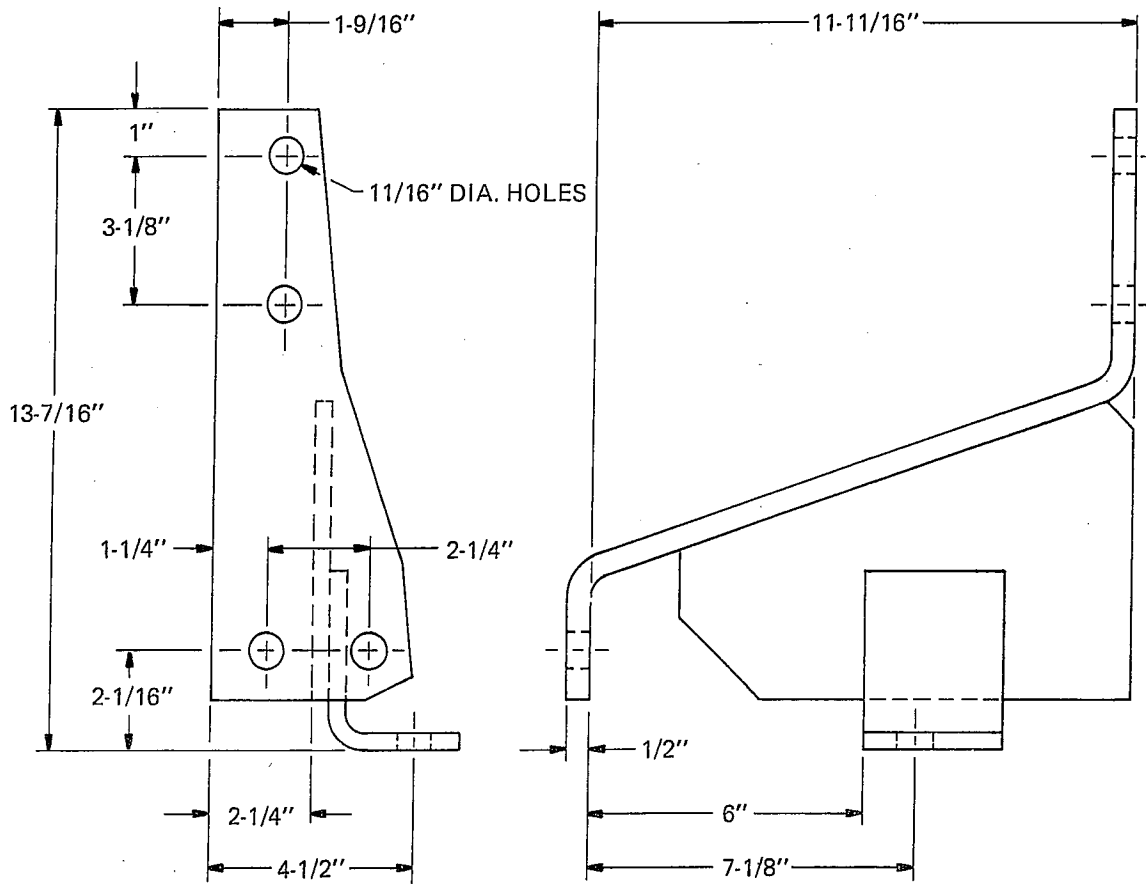
BODY SIDE BEARING	MATERIAL	WEIGHT
DWG. 4-G-3211	ASTM A 576 Gr. C-1050 Si .15-.30% 277 to 341 BHN	See Table

Variations in width and length dimensions available to meet your requirements. Specify or furnish sketch.



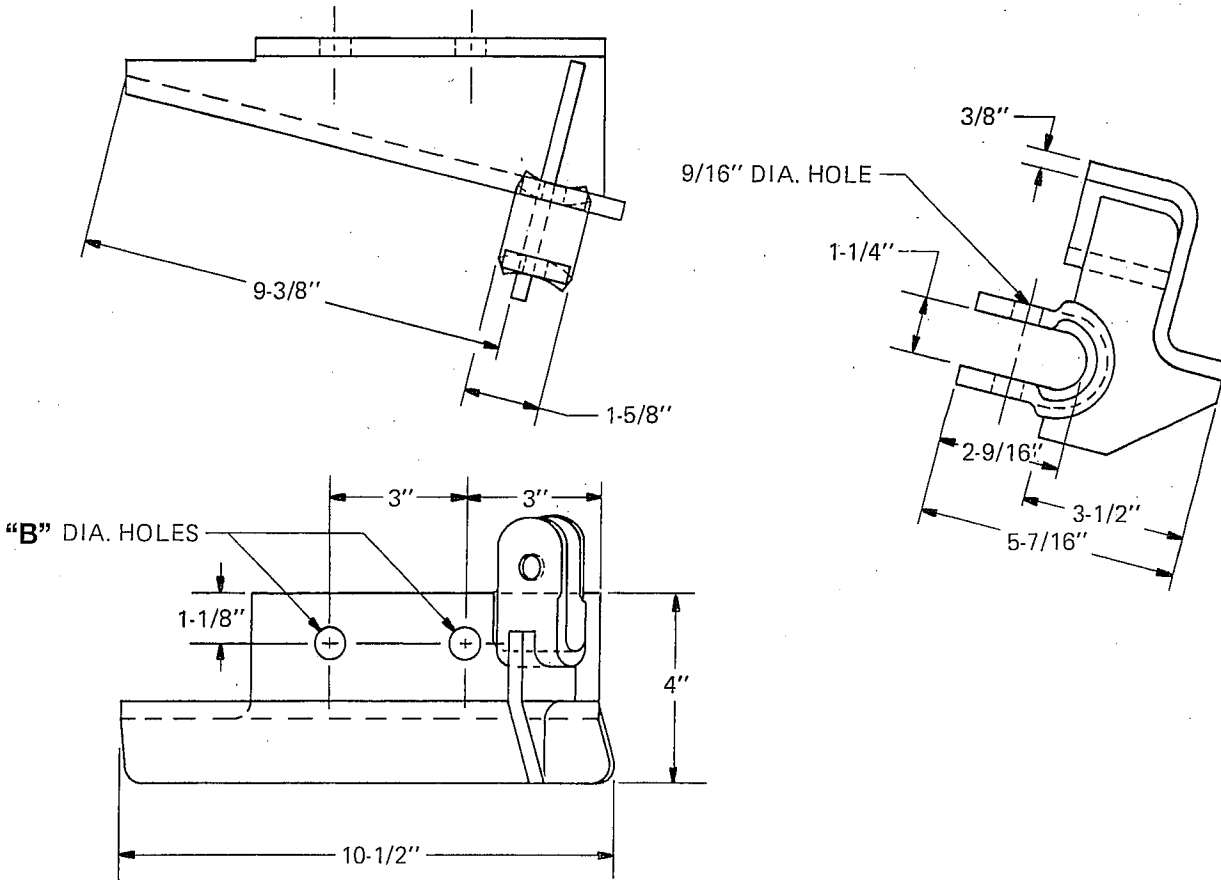
BOLSTER CENTER FILLER ASSEMBLY	MATERIAL	WEIGHT
DWG. 4-D-2192	Steel	350 lbs.

This assembly is designed for 70 or 100 ton tank cars. **Car number required when ordering.**



ANGLE COCK BRACKET ASSEMBLY	MATERIAL	WEIGHT
DWG. 11-72264	Steel	20 lbs.

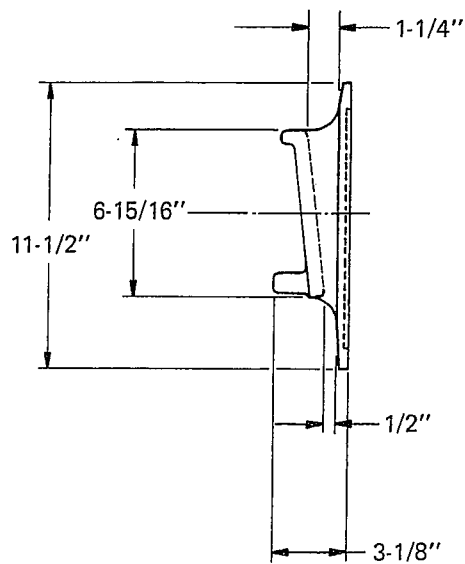
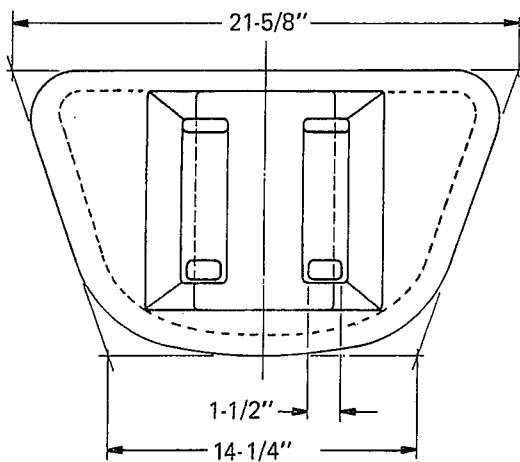
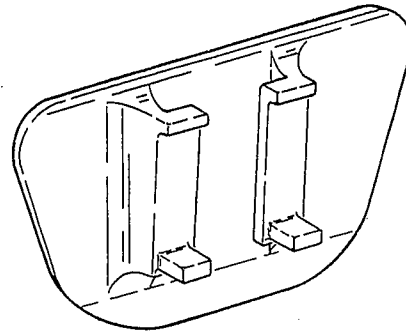
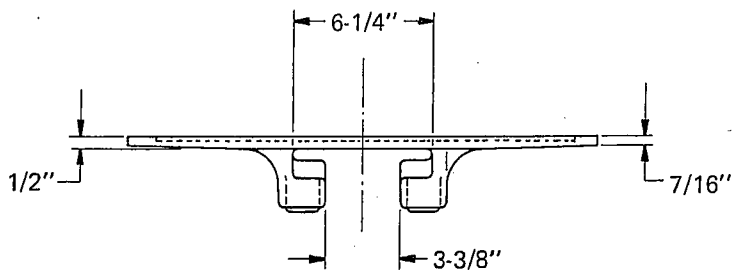
Used on the standard level flat car with F head coupler.



LINE	"A"
0	9/16"
1	11/16"

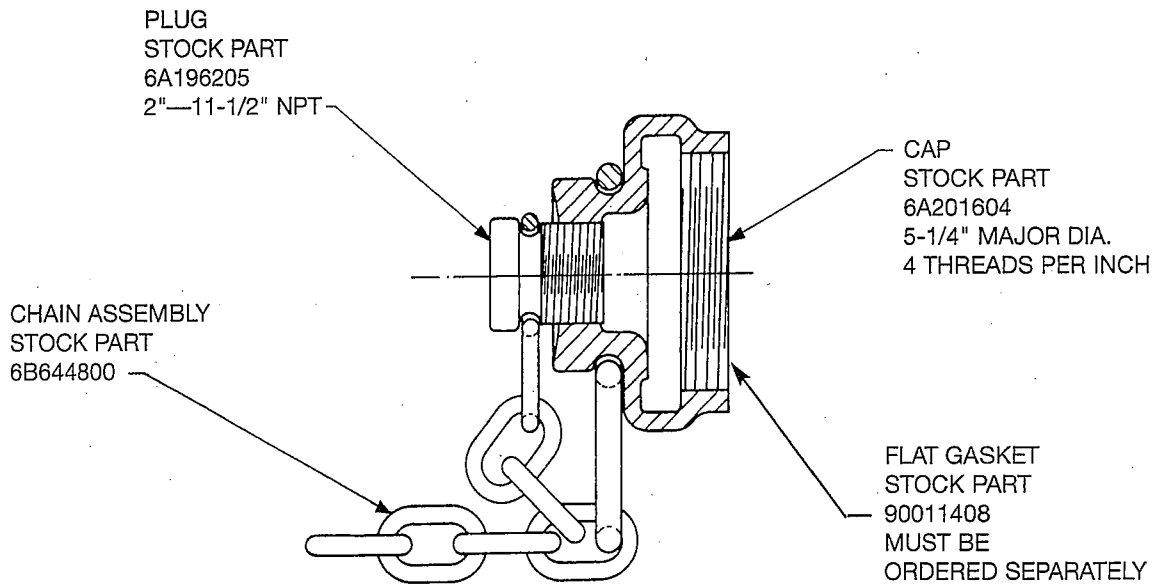
UNCOUPLING ROD BRACKET ASSEMBLY	MATERIAL	WEIGHT
DWG. 3-J-9442 Line 0 Stock Part 6J944200	Steel	9.1 lbs.

Additional brackets available upon request.
Specify or furnish sketch.



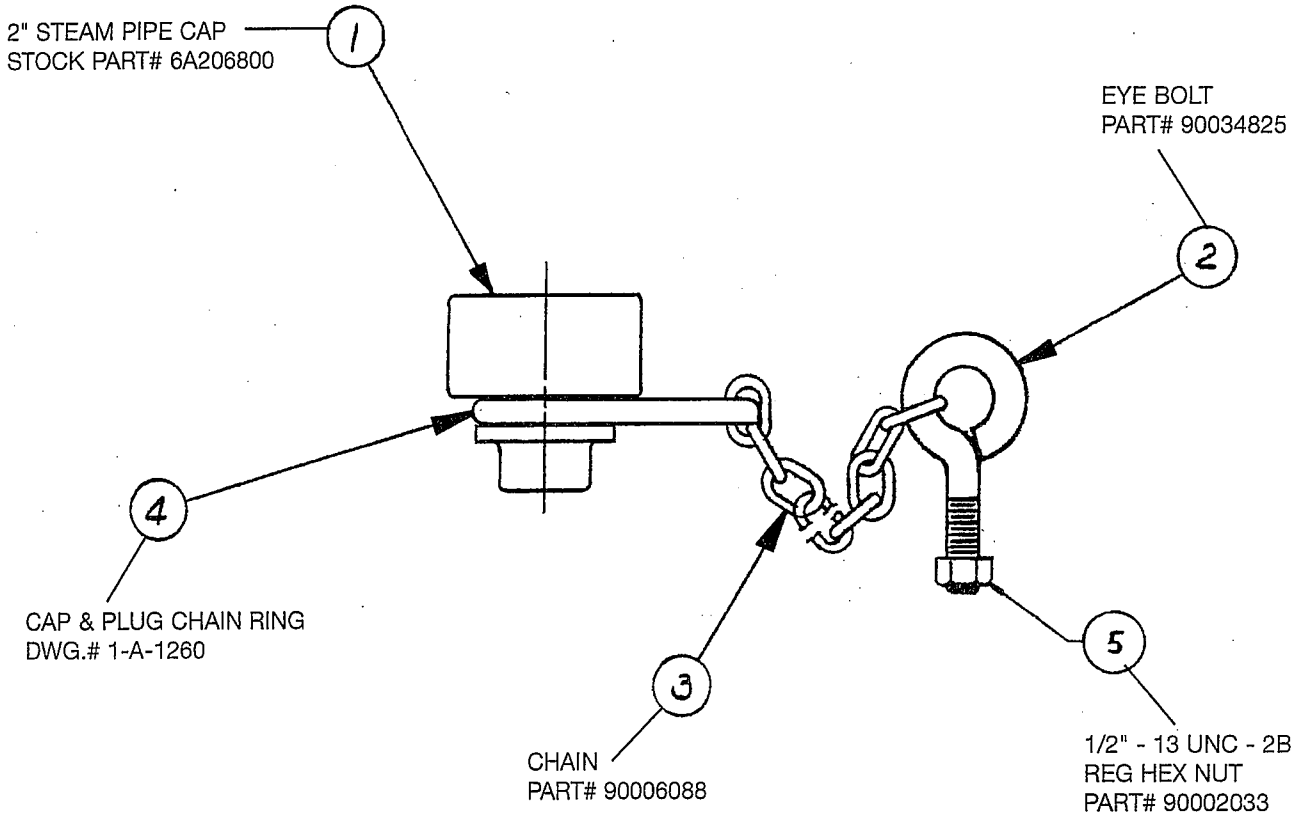
VIBRATOR BRACKET	MATERIAL	WEIGHT
DWG. 4-K-8592 Stock Part 50092609	ASTM A-27 Gr. 70-40 Cast Steel Normalized and Tempered	40 lbs.

One piece – Welded application – Extensively tested to provide years of trouble free service.



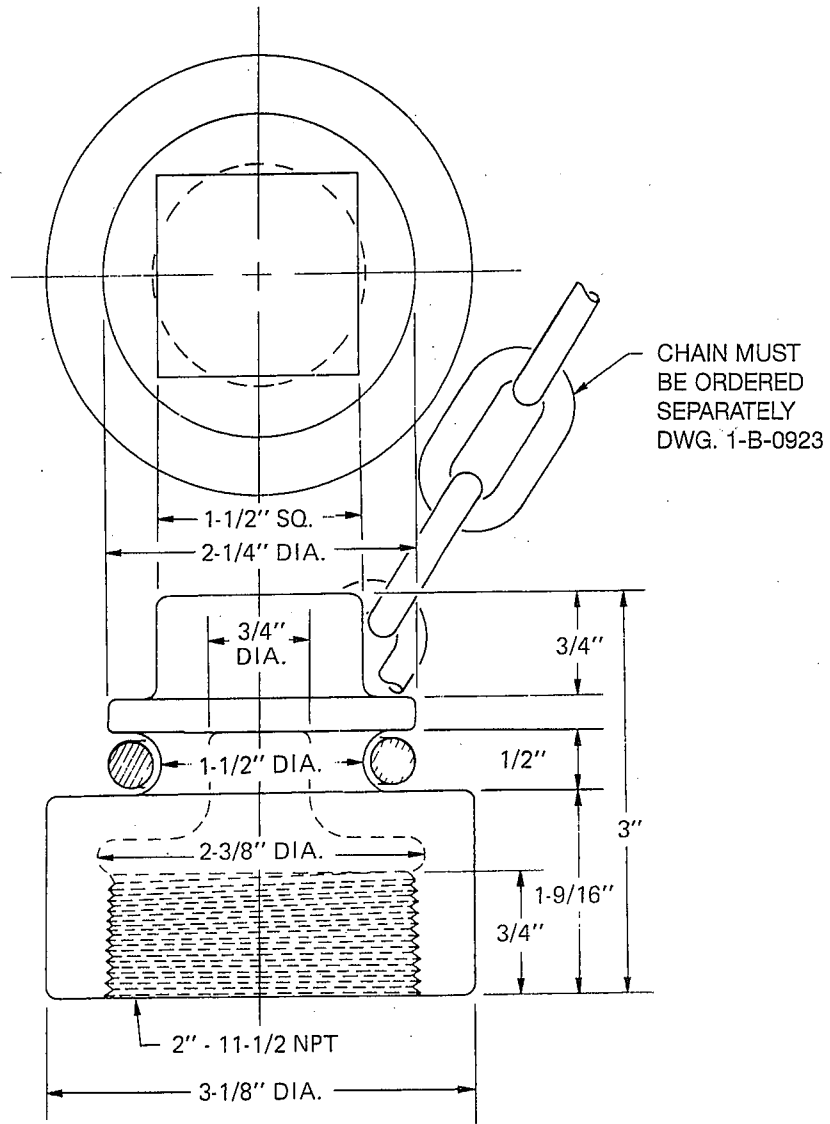
4" OUTLET CAP, PLUG AND CHAIN ASSEMBLY	MATERIAL	WEIGHT
DWG. 2-E-2822 Stock Part 6E282200	Cap & Plug made from Malleable Iron ASTM A-47 Gr. 32510	15 lbs.

Material shown is AAR approved for use on tank cars. Stock Part 6E282200 consists of all items shown except gasket, which must be ordered separately.



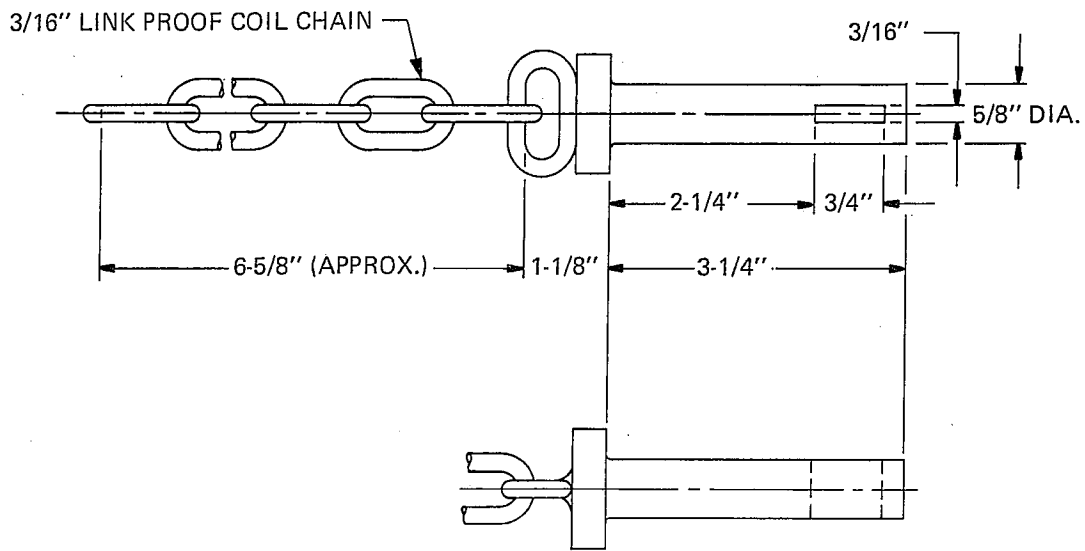
2" STEAM PIPE CAP ARRANGEMENT	WEIGHT
DWG. 2-E-2714 Stock Part 6E271400	3.7 lbs.

Stock part 6E271400 consists of all items shown.

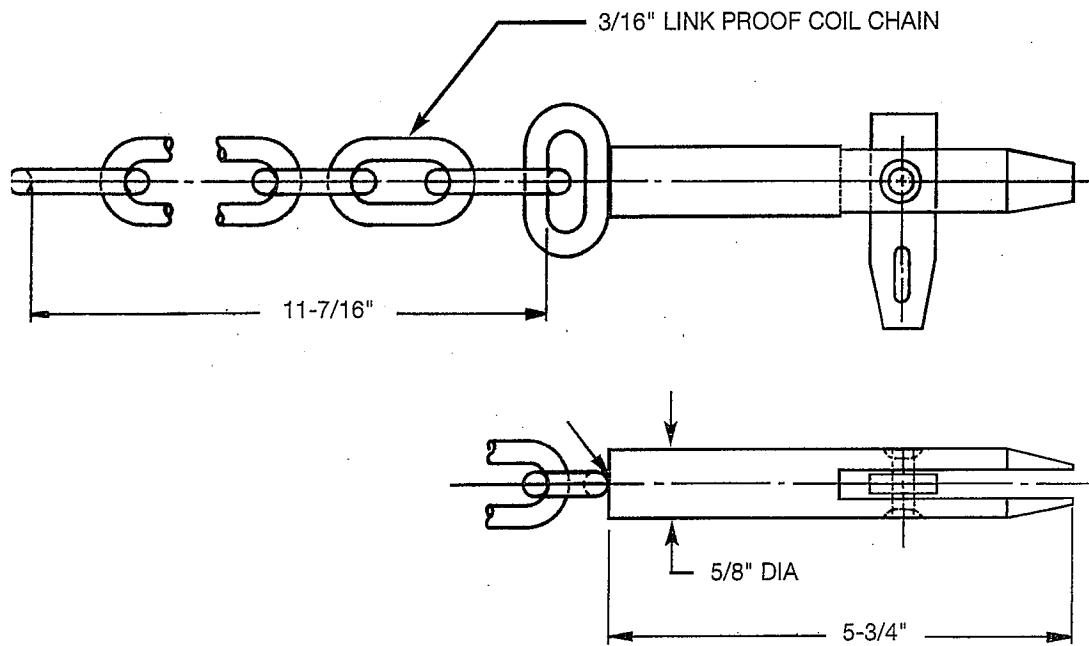


2' STEAM PIPE CAP	MATERIAL	WEIGHT
DWG. 1-A-2068 Stock Part 6A206800	Cap - ASTM A-126 Gr. B	Cap-3 lbs. Chain-1.5 lbs.

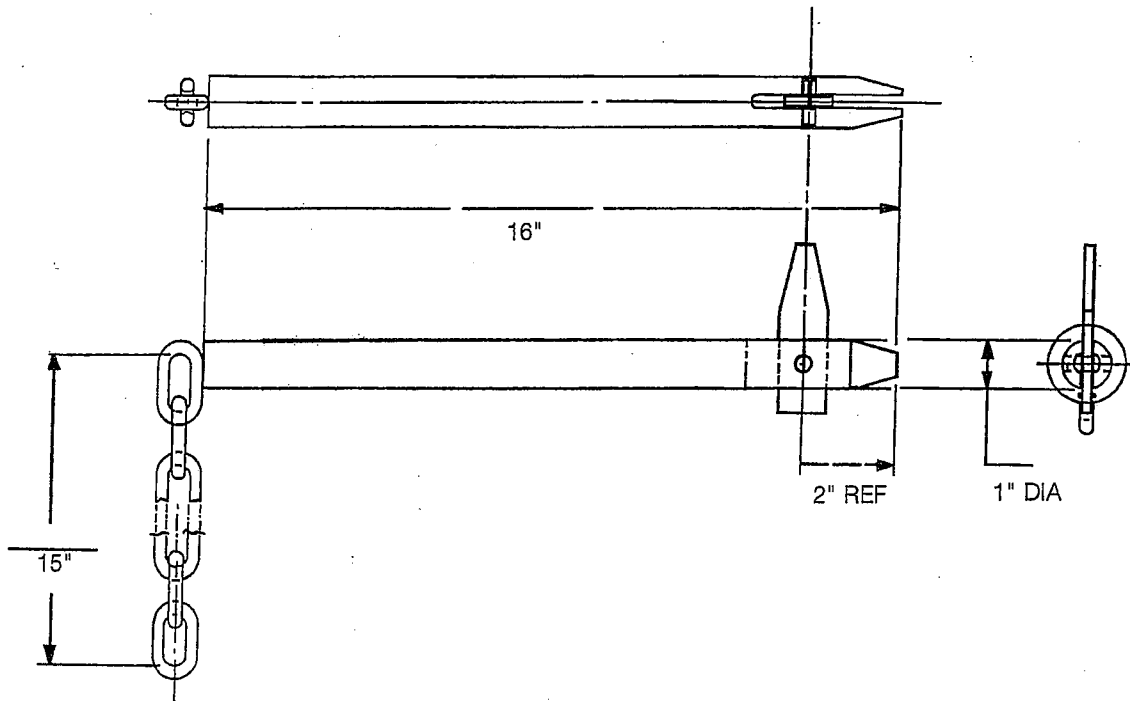
Cap and chain must be ordered separately.



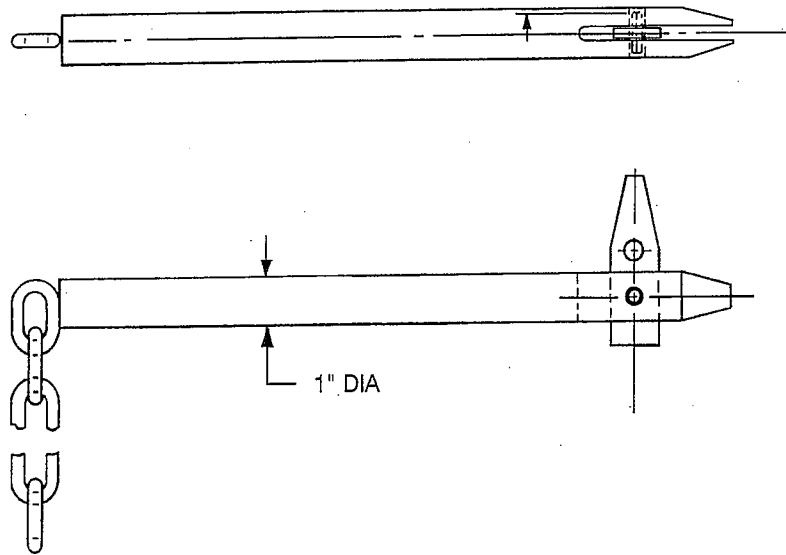
CHAIN & PIN ASSEMBLY	MATERIAL	WEIGHT
DWG. 1-C-8539 Stock Part 6C853900	Pin ASTM A-575 Gr. M-1020	.5 lbs.



CHAIN & PIN ASSEMBLY	MATERIAL	WEIGHT
DWG. 2-J-1106 Stock Part 6J110601	Pin & Toggle ASTM A-36 Chain ASTM A-413	3 lbs.

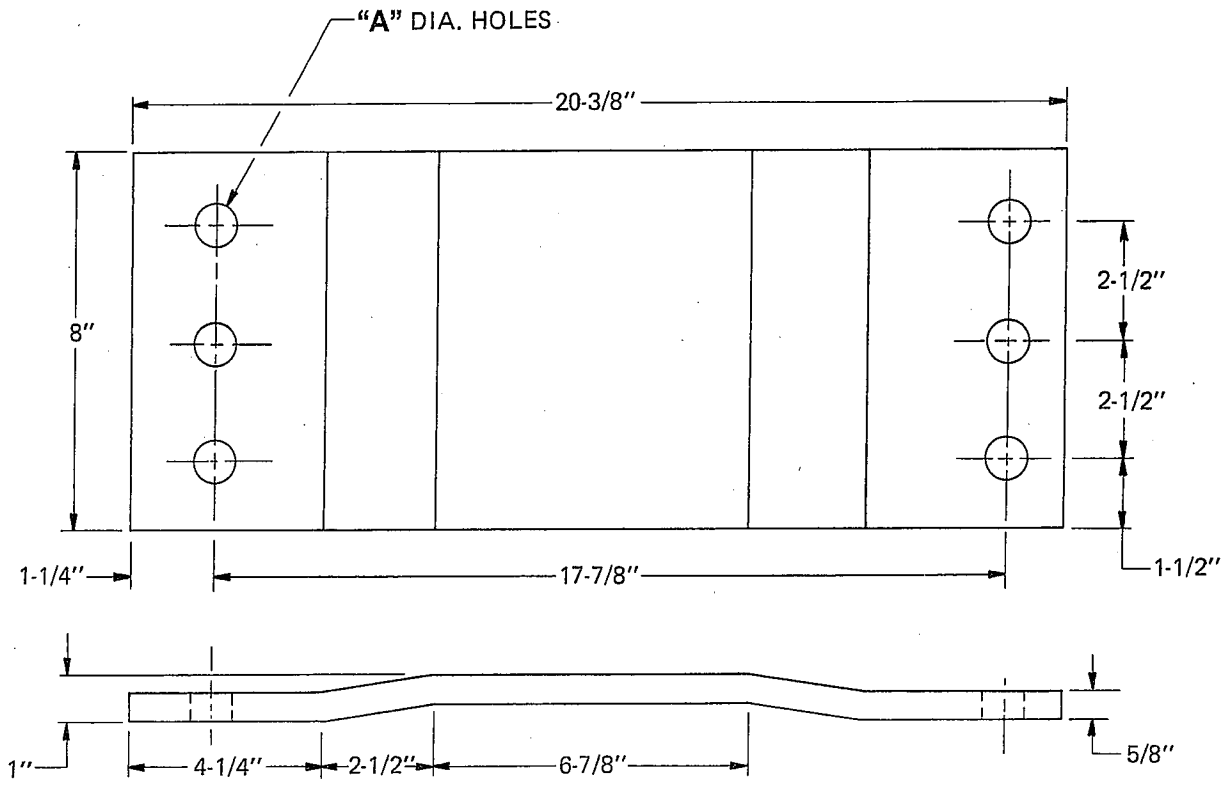


CHAIN & PIN ASSEMBLY	MATERIAL	WEIGHT
DWG. 3-J-7082 Stock Part 6J708200	Pin & Shaft ASTM A-108 Gr. 1018 Toggle ASTM A-36 Chain ASTM A-413	4.4 lbs.



LINE	SHAFT	CHAIN	WT. (LBS.)	STOCK PART
1	14-3/16"	24"	4.5	6J724501
2	20"	15"	5.5	—

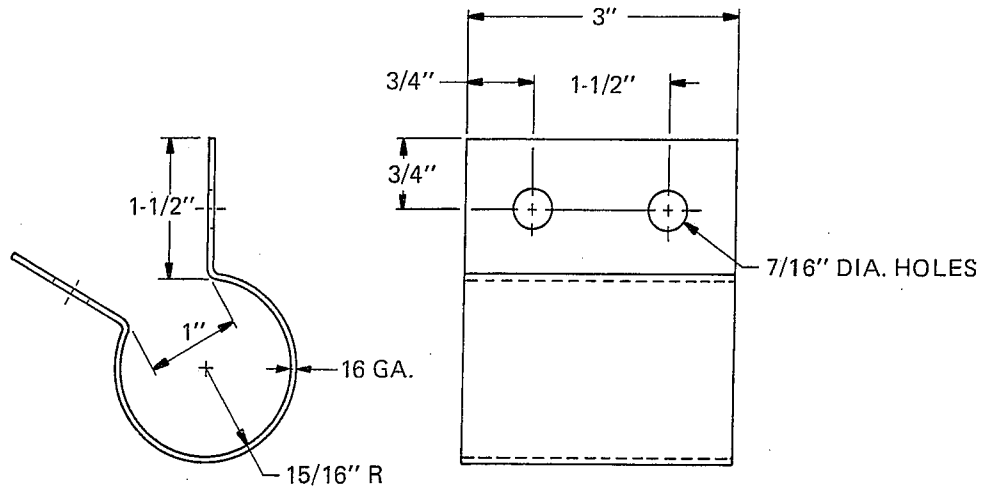
CHAIN & PIN ASSEMBLY	MATERIAL	WEIGHT
DWG. 3-J-7245	Pin & Shaft ASTM A-108 Gr. 1018 Toggle ASTM A-36 Chain ASTM A-413	See Table



LINE	"A"	
0	15/16"	STOCK PART
1	13/16"	NON STOCK

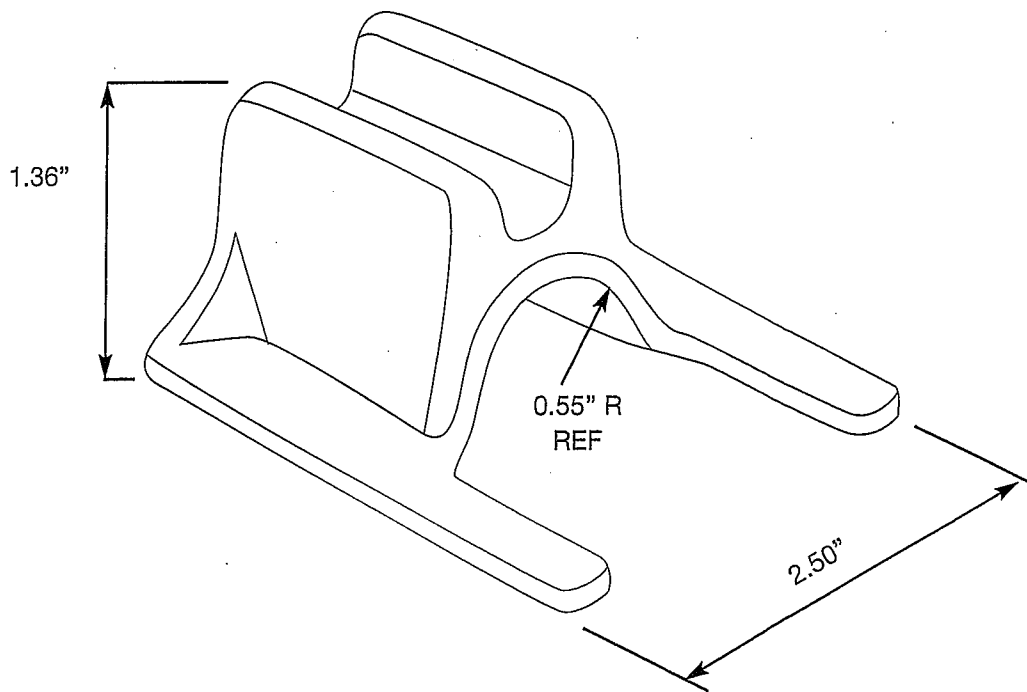
DRAFT GEAR CARRIER	MATERIAL	WEIGHT
DWG. 11-80490 Line 0 Stock Part 68049000	ASTM A-36	28 lbs.

Variations in dimensions and configuration available to meet your requirements. Specify or furnish sketch.

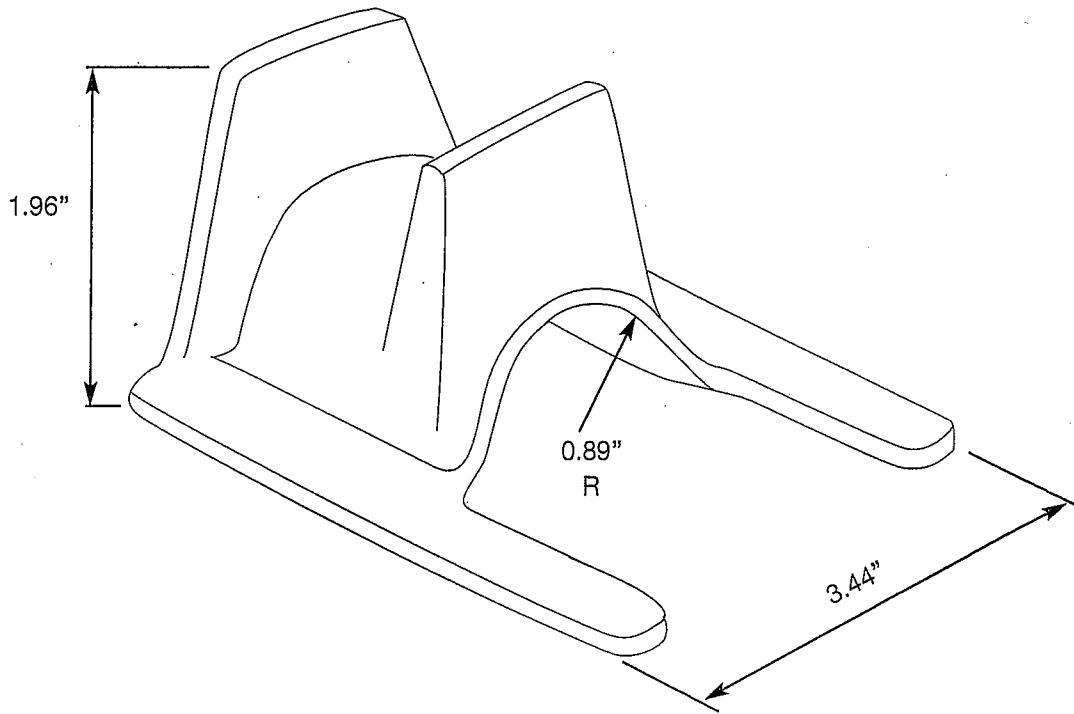


HOSE CLAMP	MATERIAL	WEIGHT
DWG. 11-48889 Stock Part 50094766	ASTM A-526 Commercial	.4 lbs.

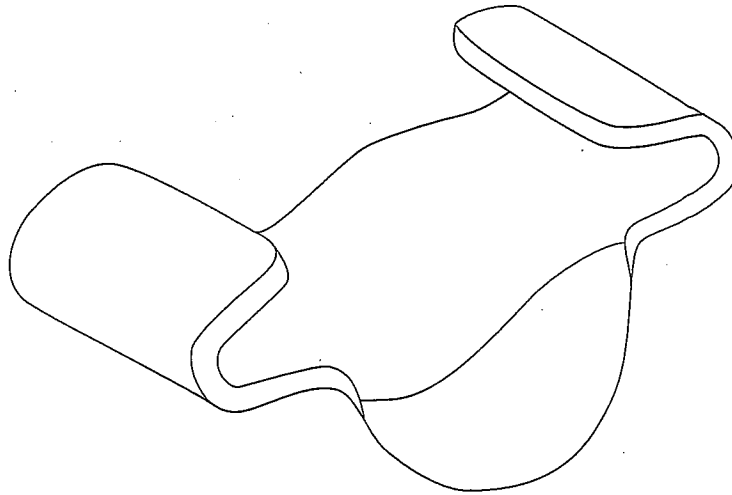
Item is galvanized to prevent rusting.



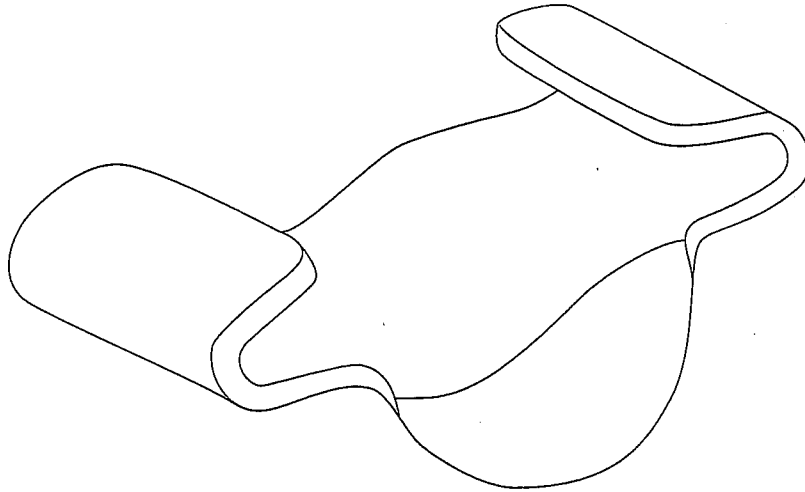
BRAKE PIPE CLAMP BASE	MATERIAL	WEIGHT
3/4" Pipe DWG. 3-U-1620-00 Stock Part 50092807	AISI 1015 Steel	.6 lbs.



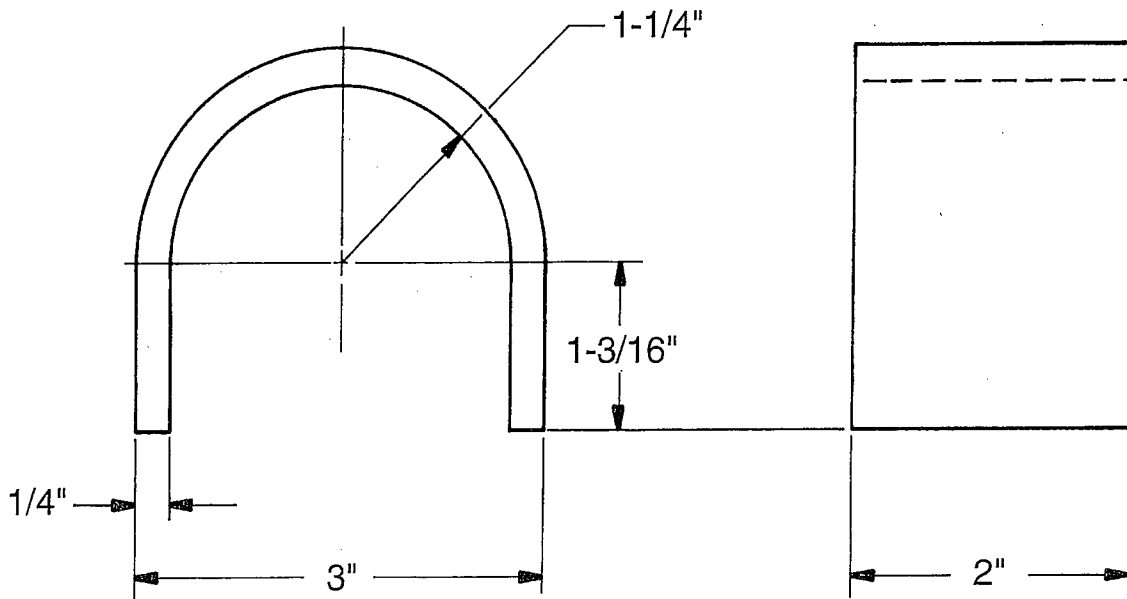
BRAKE PIPE CLAMP BASE	MATERIAL	WEIGHT
1-1/4" Pipe DWG. 3-U-1618-00 Stock Part 50092806	AISI 1015 Steel	1.4 lbs.



BRAKE PIPE CLAMP WEDGE	MATERIAL	FINISH	WEIGHT
3/4" Pipe DWG. 3-U-1619-01 Stock Part 6U161901	ASTM A569	Black Zinc Phosphate Coating	.3 lbs.
3/4" Pipe DWG. 3-U-1619-00 Stock Part 3U161900	ASTM A569	Electrodeposited Zinc Coating	.3 lbs.

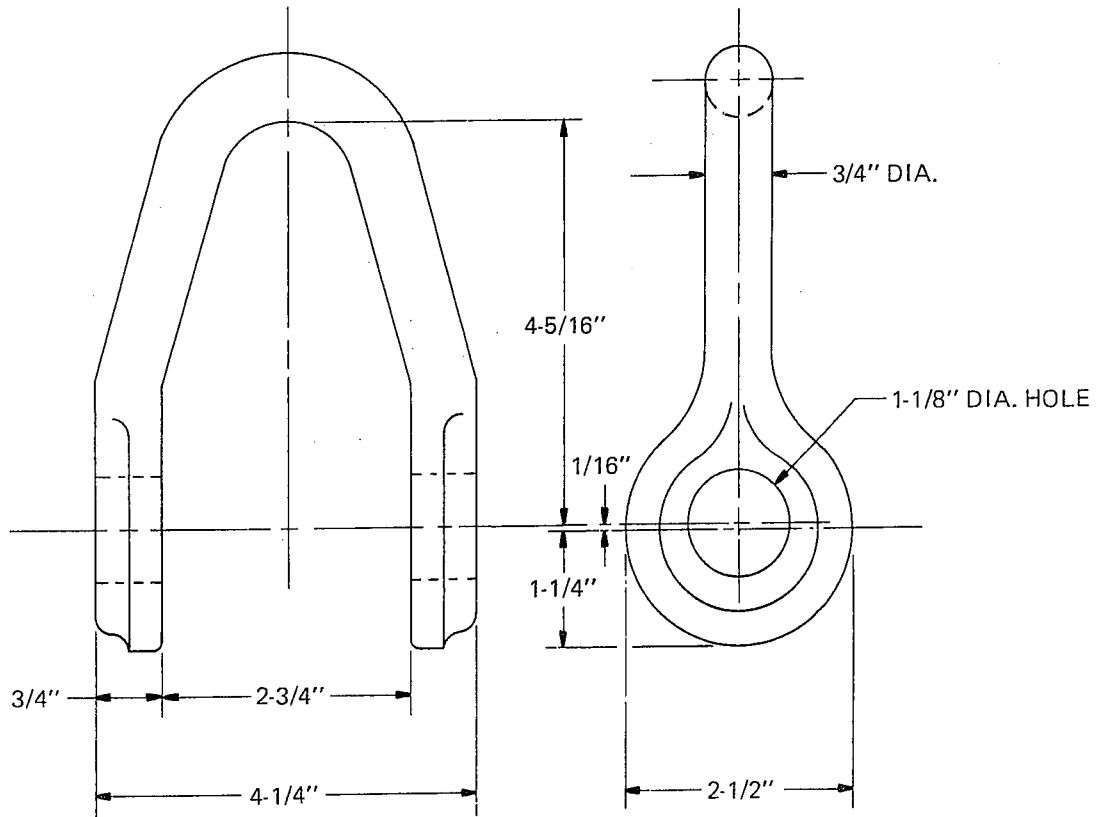


BRAKE PIPE CLAMP WEDGE	MATERIAL	FINISH	WEIGHT
1-1/4" Pipe DWG. 3-U-1617-01 Stock Part 6U161701	ASTM A569	Black Zinc Phosphate Coating	.6 lbs.
1-1/4" Pipe DWG. 3-U-1617-00 Stock Part 3U161700	ASTM A569	Electrodeposited Zinc Coating	.6 lbs.

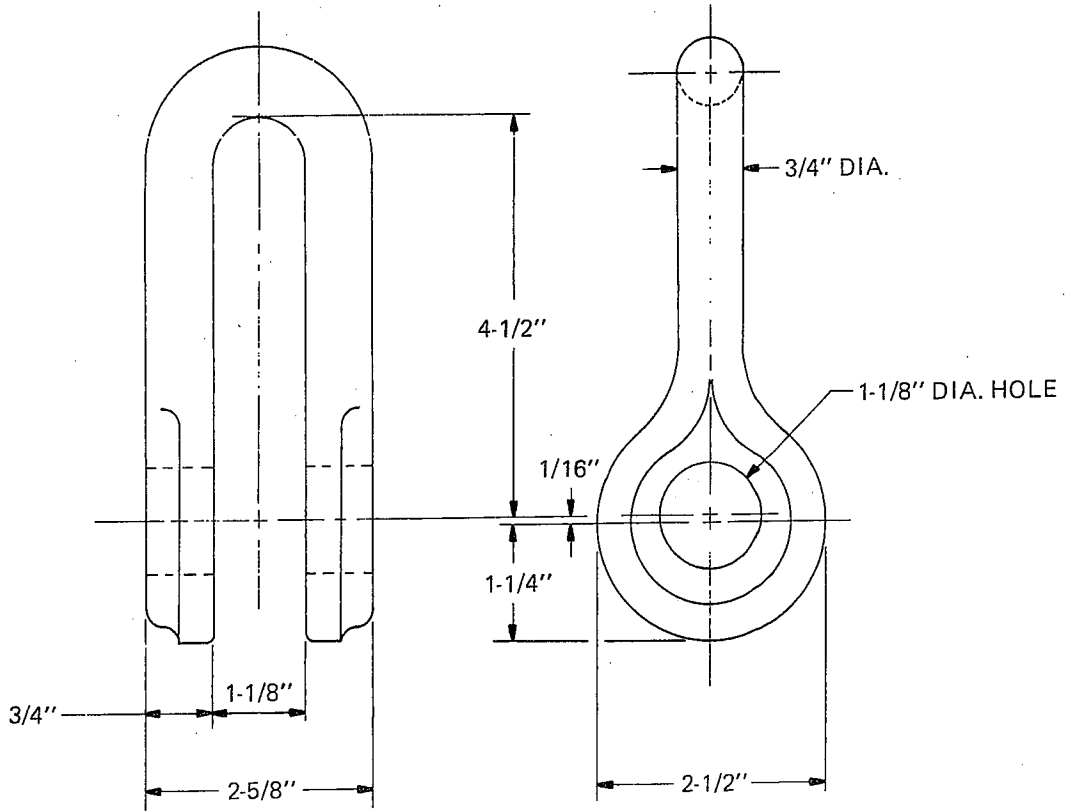


PIPE CLAMP (COIL)	MATERIAL	WEIGHT
DWG. 1-B-0385 Stock Part 50092534	ASTM A-36	.85 lbs.

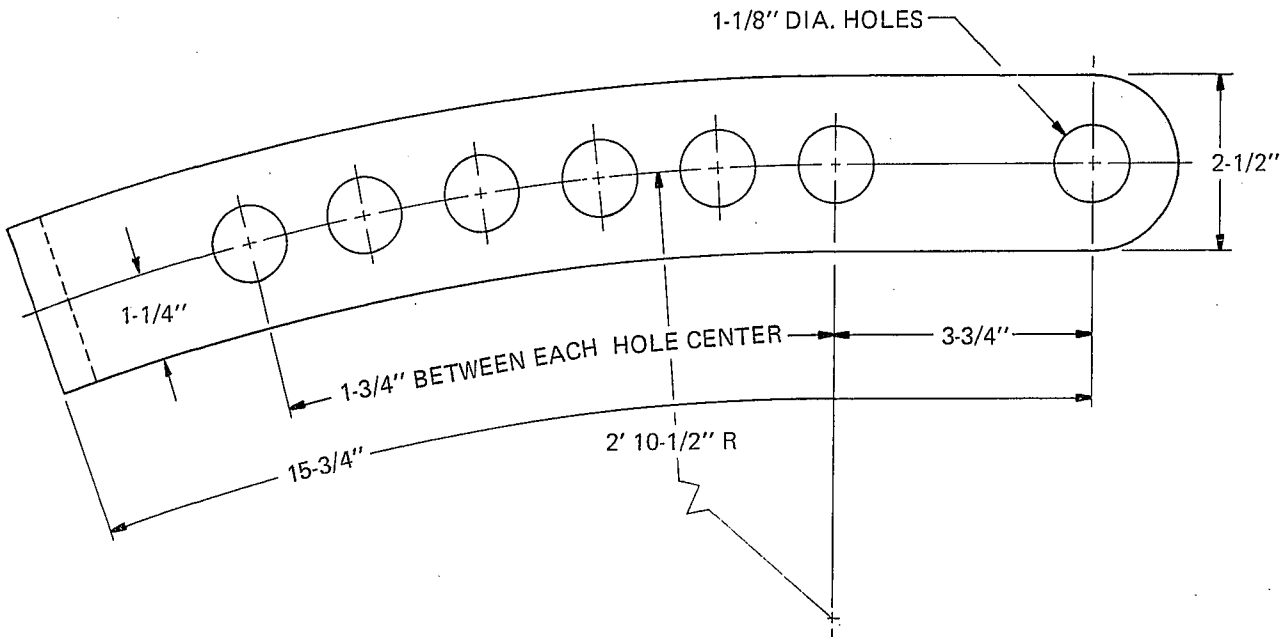
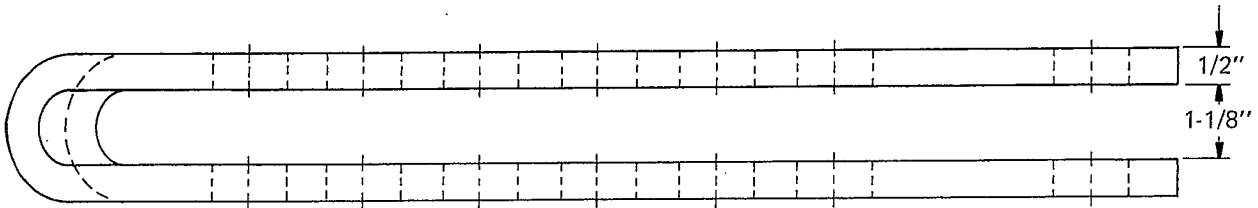
Variations in dimensions and configurations available to meet your requirements. Specify or furnish sketch. Pipe size is 2".



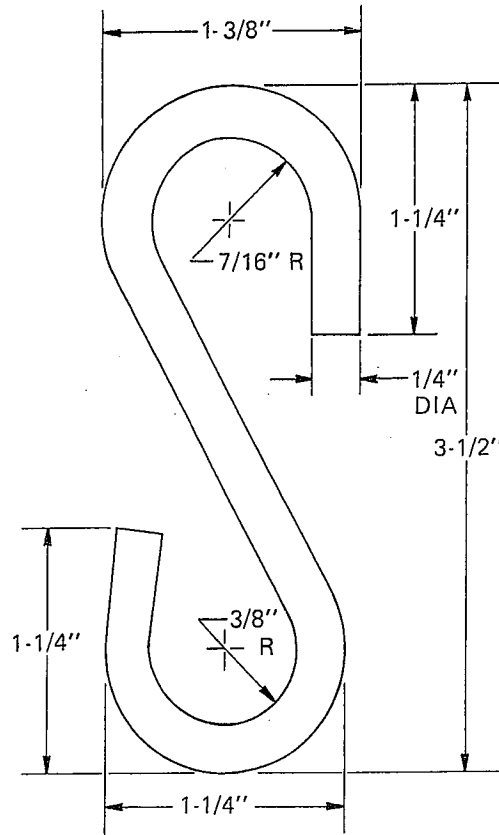
BRAKE CHAIN CLEVIS	MATERIAL	WEIGHT
DWG. 11-80723 Stock Part 50096002	ASTM A-575 Gr. M-1020 Drop Forged	3 lbs.



BRAKE CHAIN CLEVIS	MATERIAL	WEIGHT
DWG. 11-80724-00 Stock Part 50095356	ASTM A-575 Gr. M-1020 Drop Forged	3 lbs.

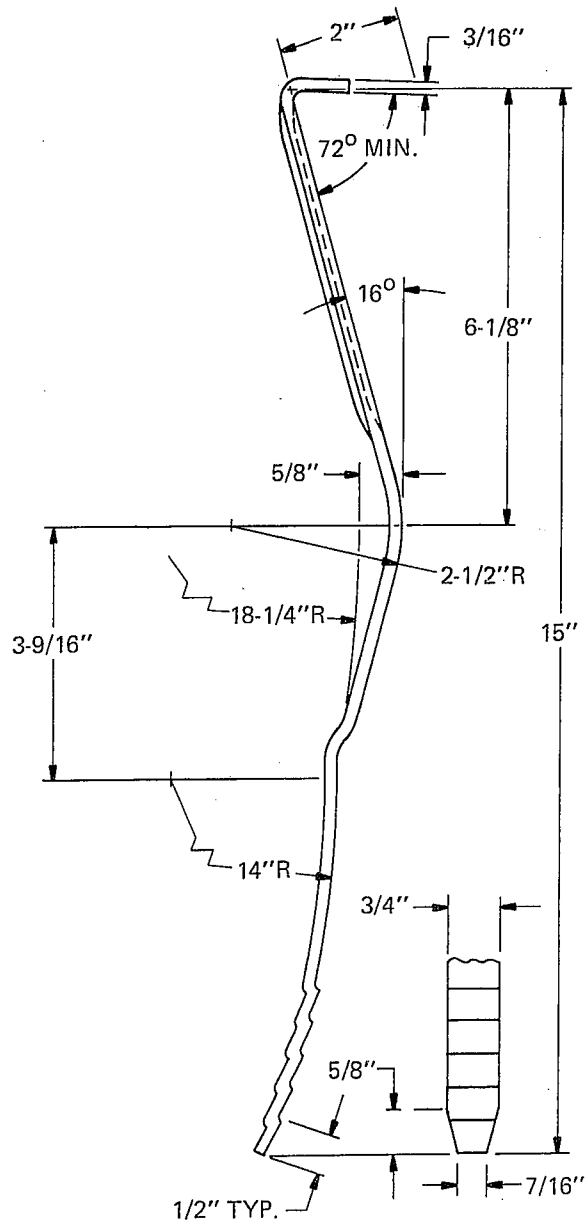


DEAD LEVER FULCRUM	MATERIAL	WEIGHT
DWG. 1-D-6414 Stock Part 50092157	ASTM A-36	11.5 lbs.



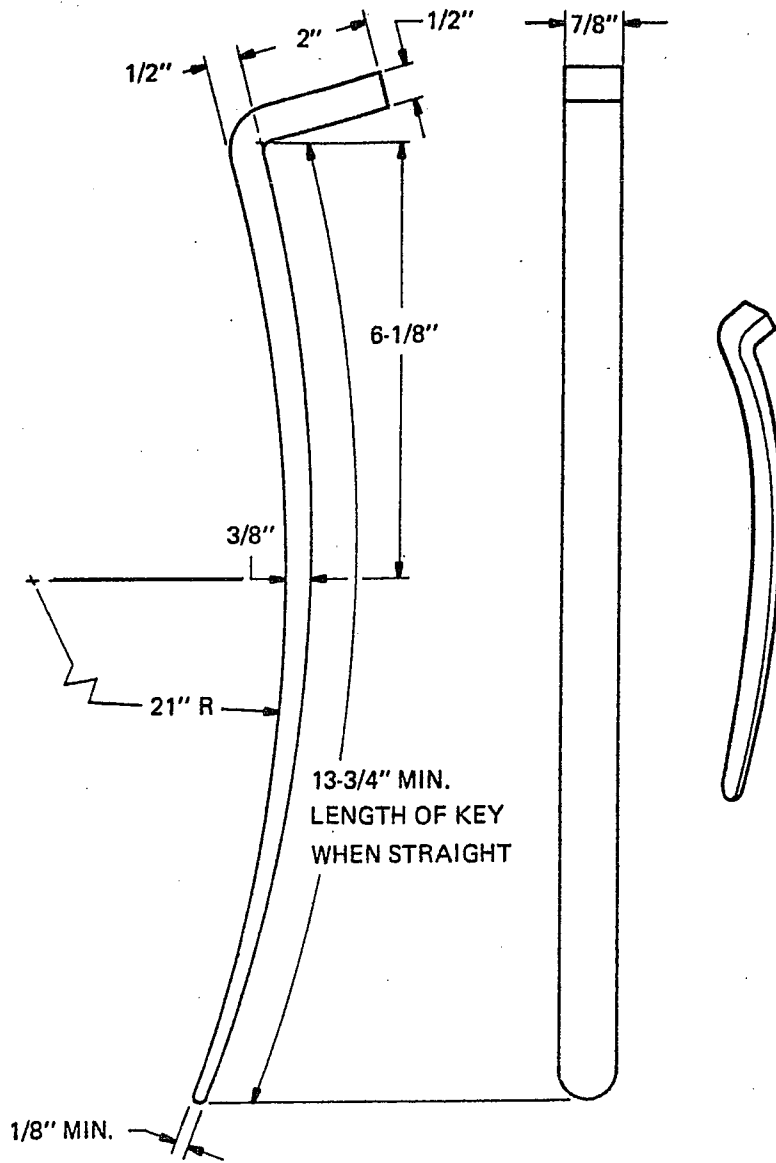
S-HOOK	MATERIAL	WEIGHT
DWG. 1-F-0766 Stock Part 91000133	ASTM A-575 Gr. M-1020	.15 lbs.

Used to attach air hose coupling to support chain.



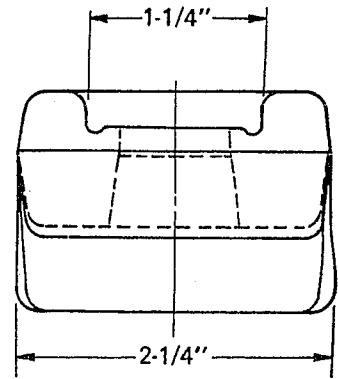
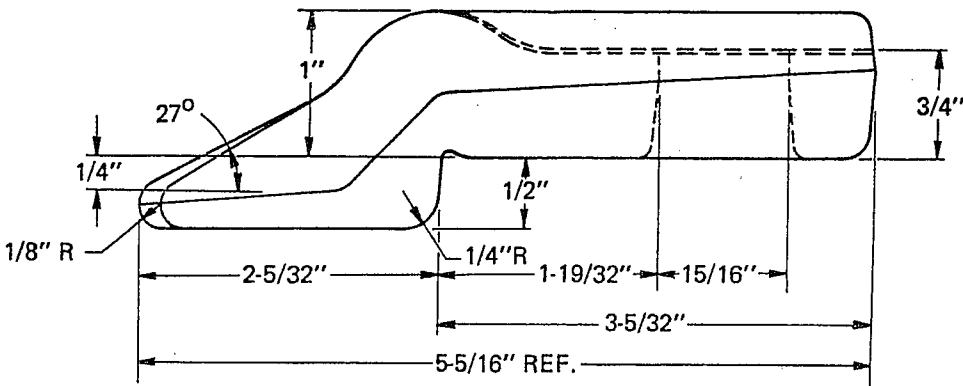
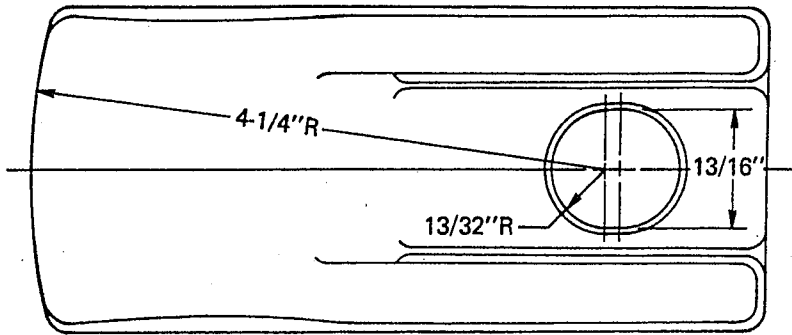
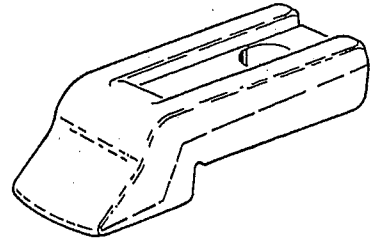
BRAKE SHOE KEY	MATERIAL	WEIGHT
DWG. 1-C-6080 Stock Part 50095616	AISI Gr. C-1095 Heat Treated to Rockwell C43-50	.6 lbs.

This part conforms to AAR standard.



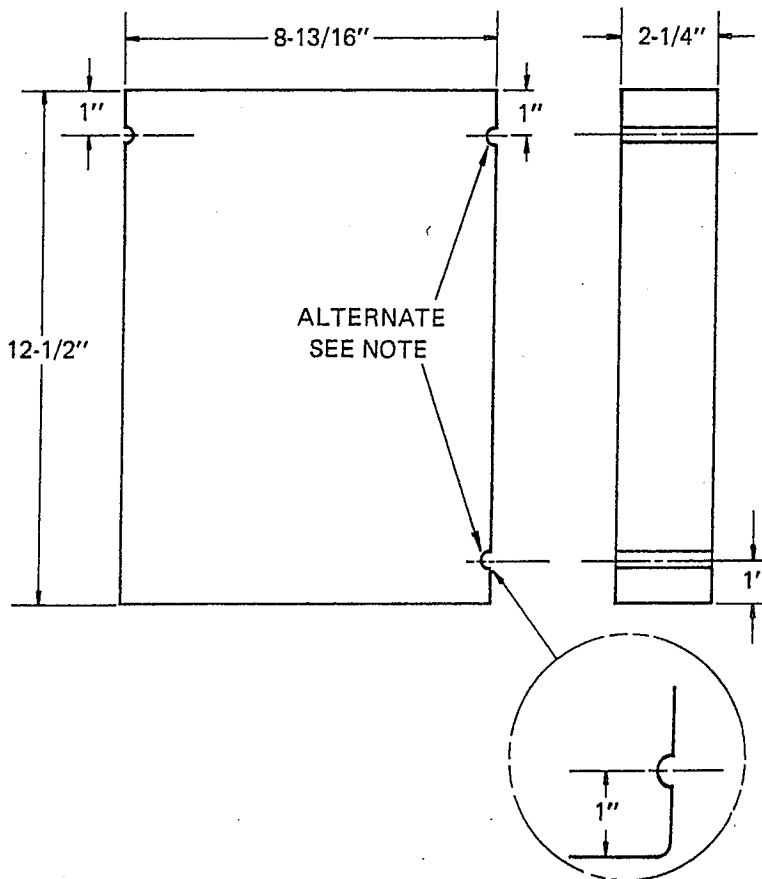
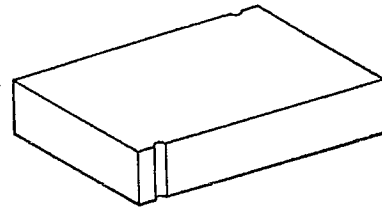
BRAKE SHOE KEY	MATERIAL	WEIGHT
DWG. 220-4280 Stock Part 58319020	AISI Gr. C-1035 Si .15 - .30%	1.3 lbs.

Not AAR approved. For captive service only.



ROLLER BEARING RETAINER FRAME KEY (NARROW PEDESTAL)	MATERIAL	WEIGHT
DWG. 1-F-3449 Stock Part 57321010	Steel	5.5 lbs.

This part conforms to AAR Standard.

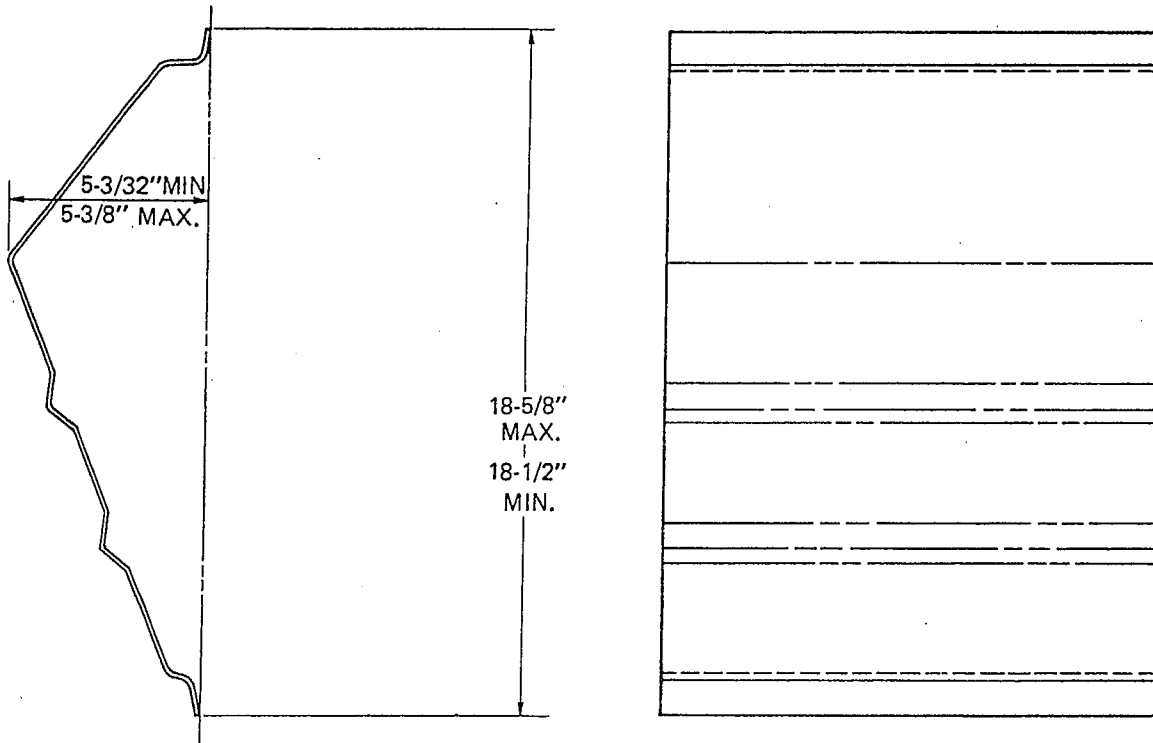


ALTERNATE
SEE NOTE

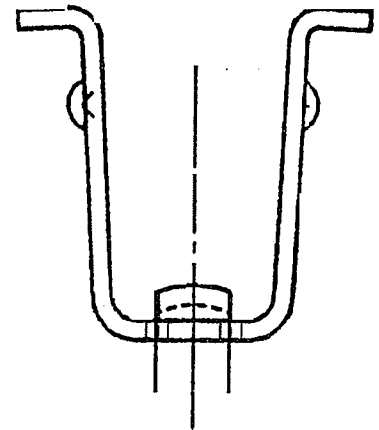
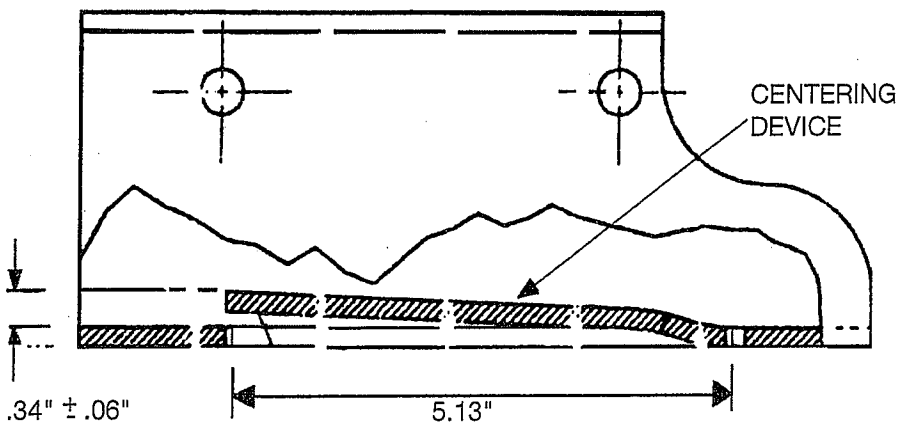
IDENTIFICATION GROOVES PER AAR

Y44 FOLLOWER PLATE	MATERIAL	WEIGHT
DWG. 1-E-8231 Stock Part 58307120	C.40-50, Mn.60-90 P-.04 Max, S-.05 Max, Sil .15-.30	71 lbs.

NOTE: As an alternate, grooves may be located at same end. Quenched & tempered 241-311 BHN.



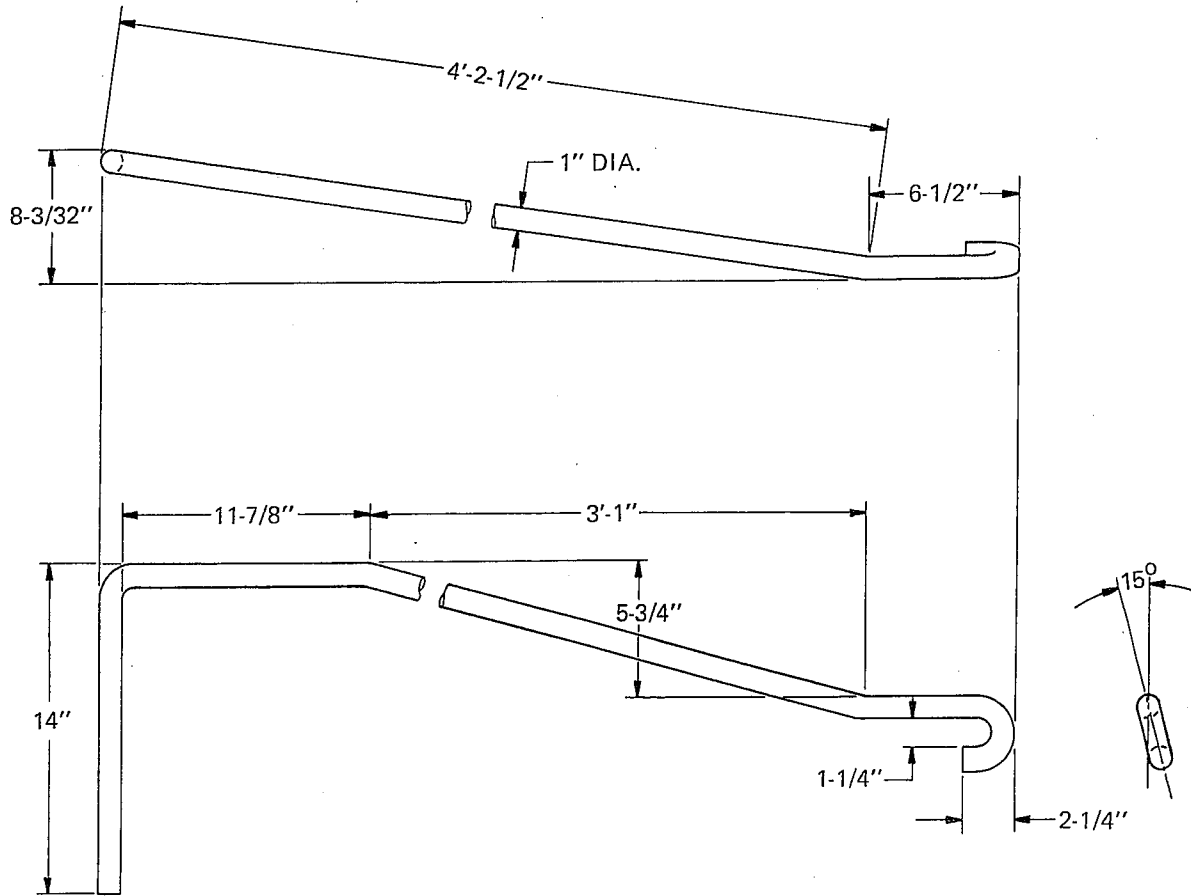
TOP SIDE PLATE	MATERIAL	WEIGHT
DWG. 3-F-6762-10 Stock Part 57329023	A-607 Gr. 50 Type 1 Cu. .20% min.	91 lbs.



BRAKE BEAM GUIDE WEAR PLATE	MATERIAL	TYPE	WEIGHT
DWG. 4-U-1225-00 Stock Part 6U122500	ASTM A749 GR1050	w/Centering Device	3 lbs.
DWG. 4-U-1225-01 Stock Part 6U122501	ASTM A749 GR1050	w/o Centering Device	3 lbs.

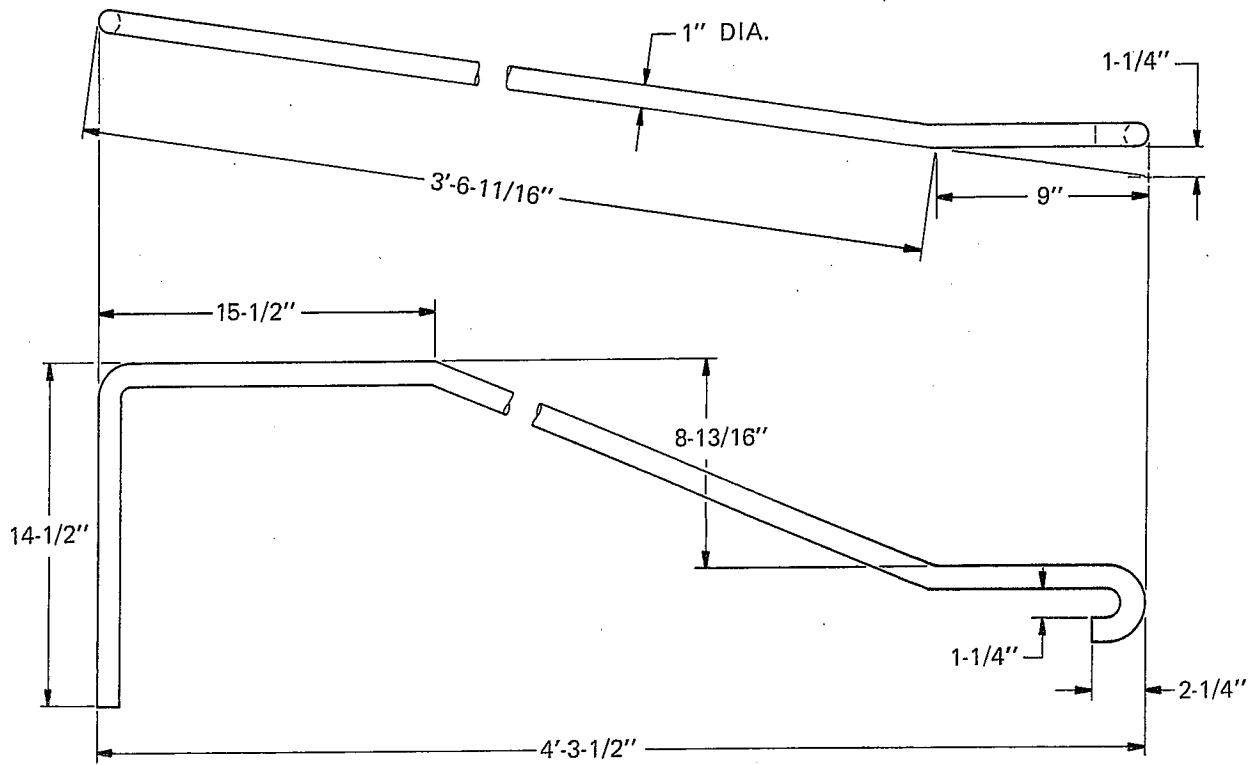
NOTE:
6U122500 meets AAR Standard S-367 except for centering device.

6U122501 meets AAR Standard S-367.



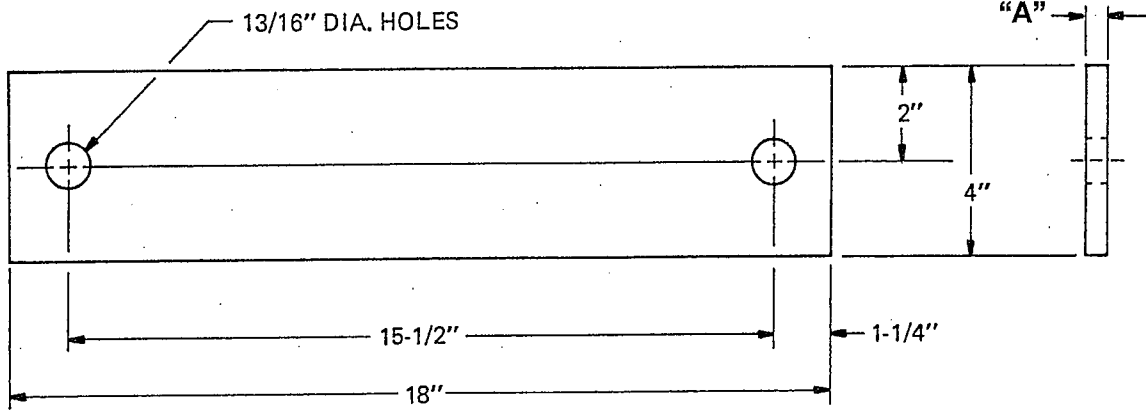
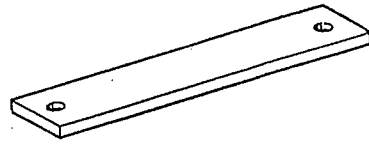
UNCOUPLING ROD	MATERIAL	WEIGHT
DWG. 11-74785 Stock Part 50092822	ASTM A-575 Gr. M-1020	16 lbs.

Variations in dimensions and configurations available to meet your requirements. Specify or furnish sketch. This part conforms to AAR standard.



UNCOUPLING ROD	MATERIAL	WEIGHT
DWG. 1-D-2091 Stock Part 50092180	ASTM A-575 Gr. M-1020	15 lbs.

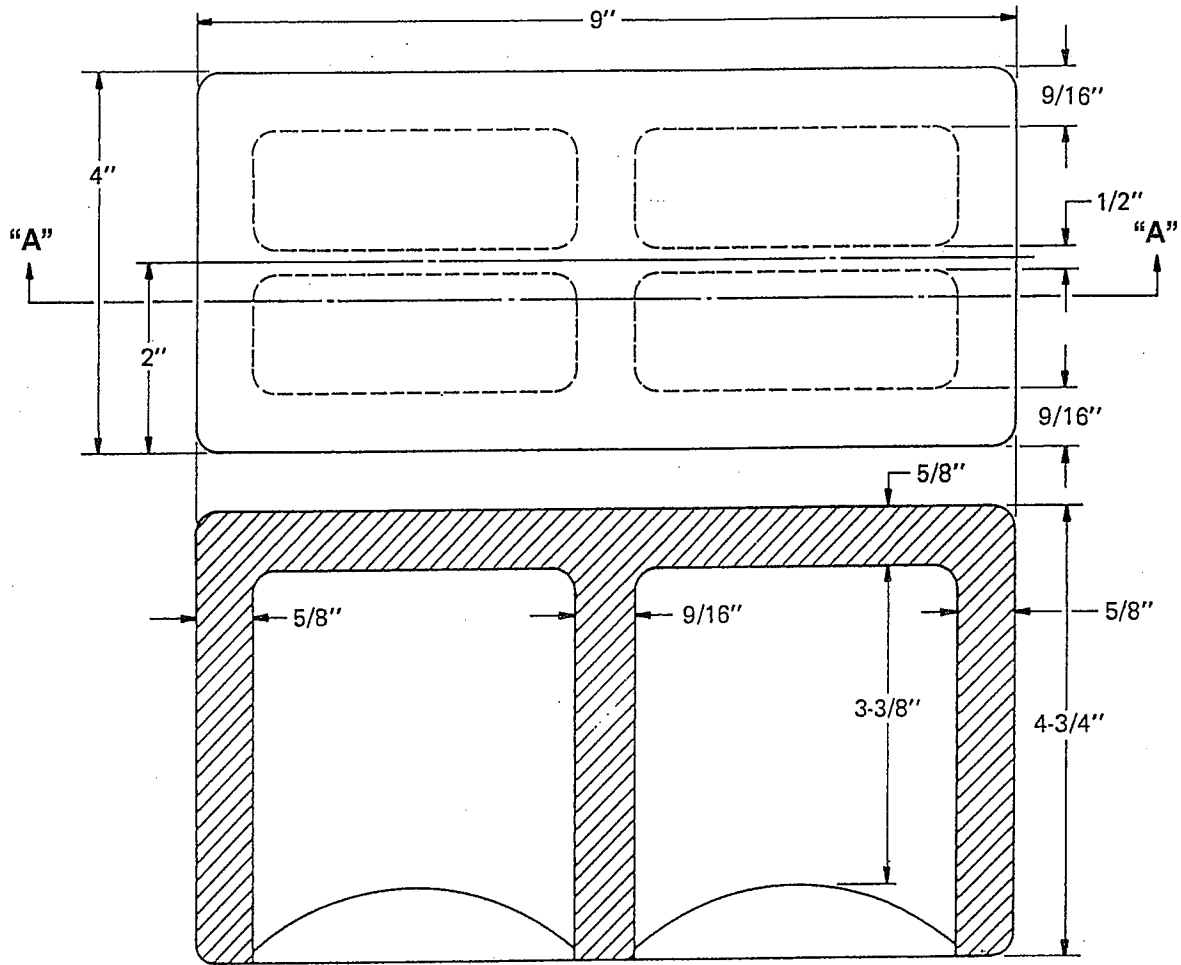
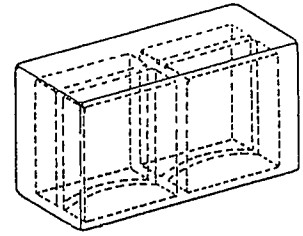
Variations in dimensions and configurations available to meet your requirements. Specify or furnish sketch. This part conforms to AAR standard.



LINE	"A"	WT. (LBS.)	STOCK PART
1	1/16"	1.3	—
2	1/8"	2.5	67937502
3	3/16"	3.8	67937503
4	1/4"	5.0	67937504
5	3/8"	7.6	67937505
6	1/2"	10.0	—

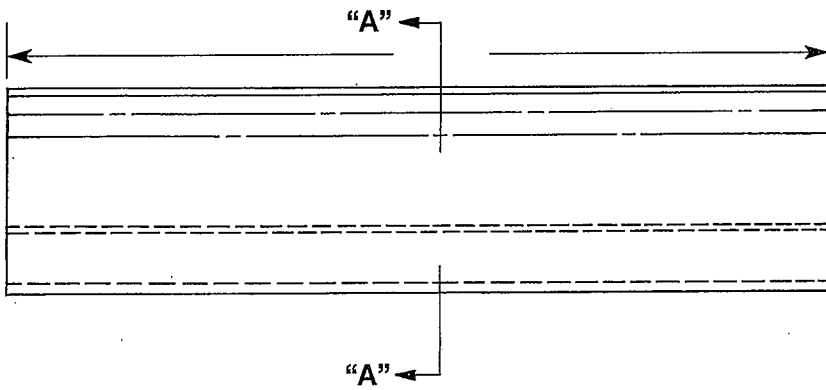
BODY SIDE BEARING SHIM	MATERIAL	WEIGHT
DWG. 11-79375 Stock Part (See Table)	Lines 1, 2, 3 ASTM A-569 Lines 4, 5, 6 ASTM A-36	See Table

Variable thicknesses supplied for adjusting side bearing clearances within AAR prescribed limits.

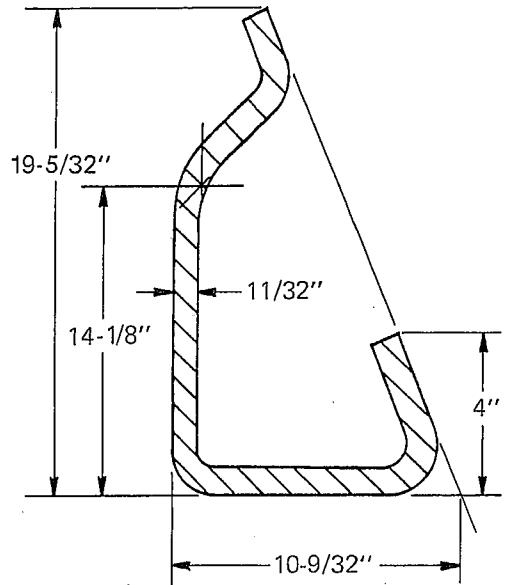


SECTION A-A

SIDE BEARING SHOE	MATERIAL	WEIGHT
DWG 2-A-0283 Stock Part 50099566	Gray Iron ASTM A-48 Class 30	44 lbs.

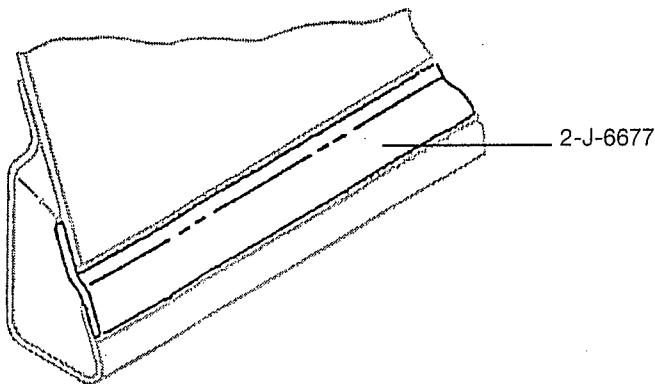


LINE	"A"	WT.	STOCK PART
8	12'	452	57328048
10	24'	904	57328049
11	36'	1356	57328050



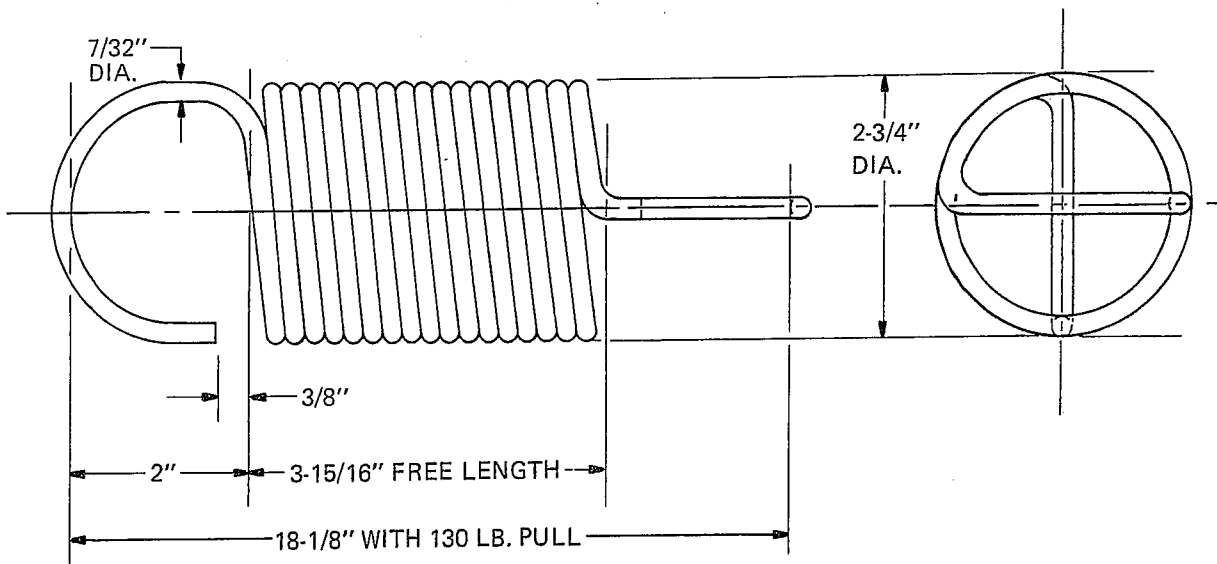
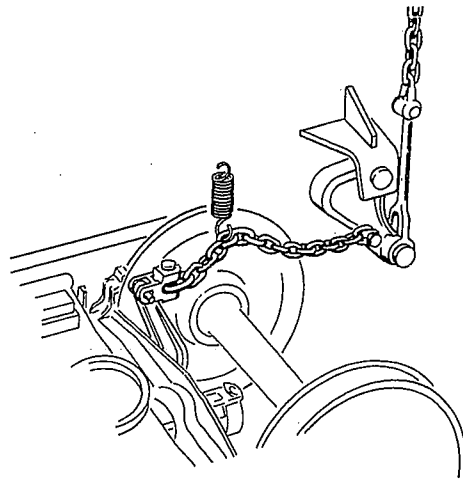
SECTION A-A

SIDE SILL	MATERIAL	WEIGHT
DWG. 4-G-1424 Stock Part (See Table)	ASTM A-572 Gr. 50 TYPE 2	See Table



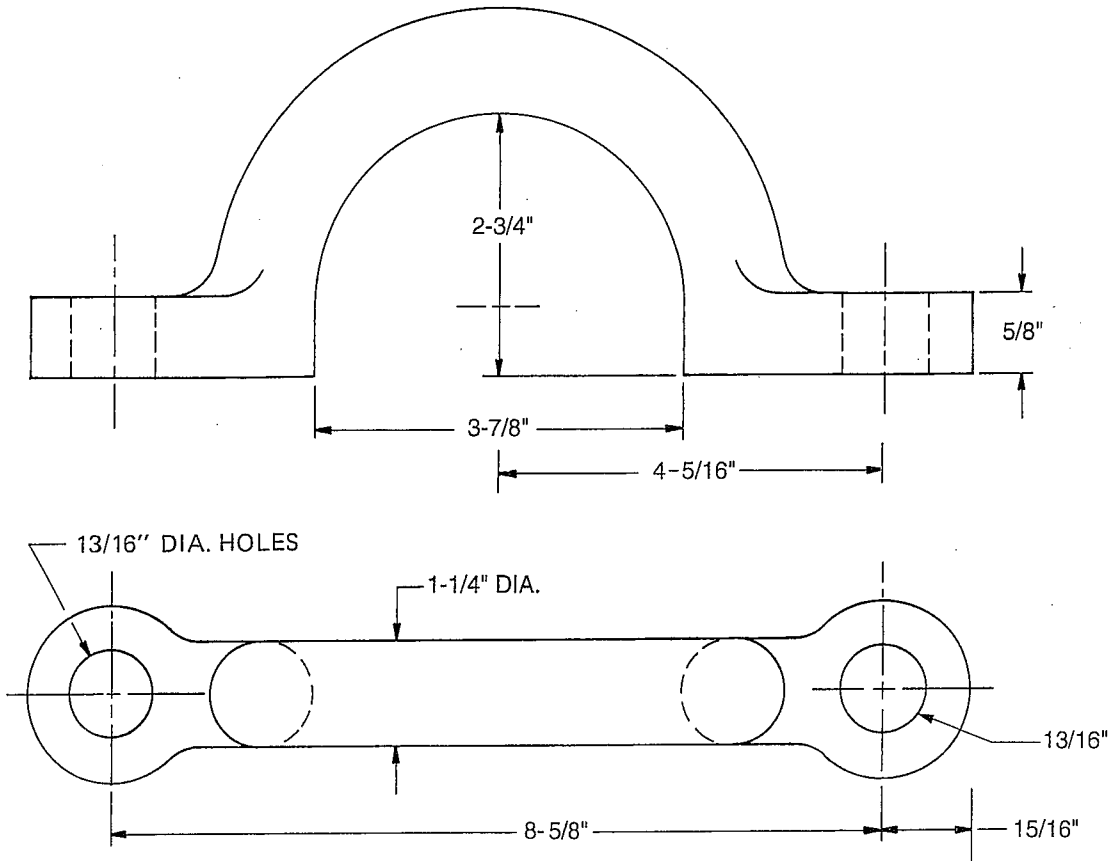
SIDE SILL FILLER STRIP	MATERIAL	WEIGHT
DWG. 2-J-6677 Stock Part 50093786	ASTM A-36	29 lbs.

Filler strip required for cars built prior to 1976.



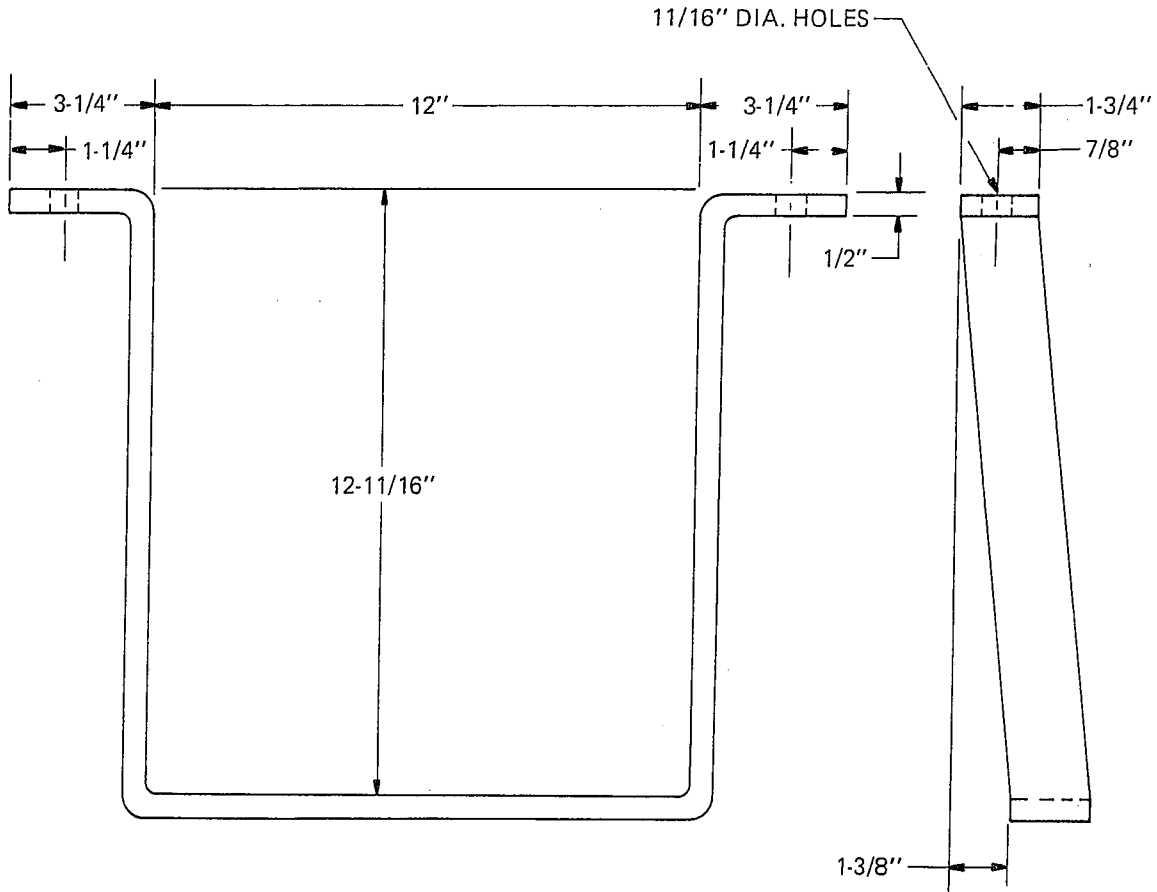
HAND BRAKE RELEASE SPRING	MATERIAL	WEIGHT
DWG 11-82936 Stock Part 57306022	Spring Steel	1.9 lbs.

Springs are used to prevent the hand brake chain from coming in contact with the axle.



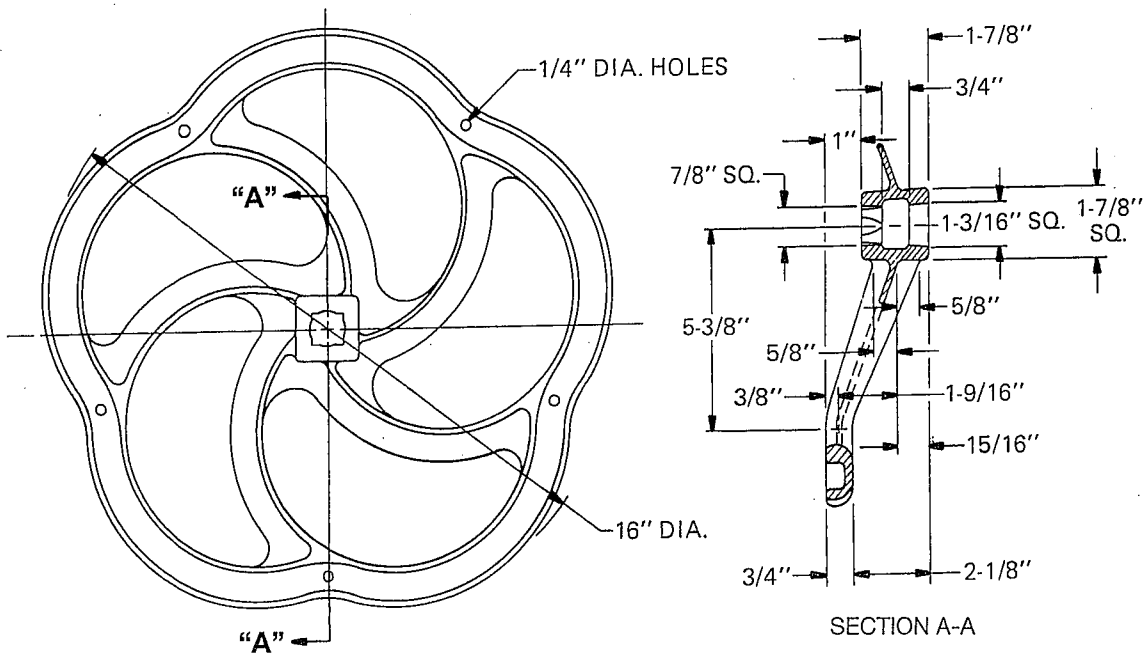
ROPING STAPLE	MATERIAL	WEIGHT
DWG. 2-J-3274 Stock Part 50093393 (without holes) Stock Part 6J327401 (with holes)	ASTM A576 Gr. 1020 Drop Forged	5 lbs.

Additional roping staples are available upon request. Specify or furnish sketch.



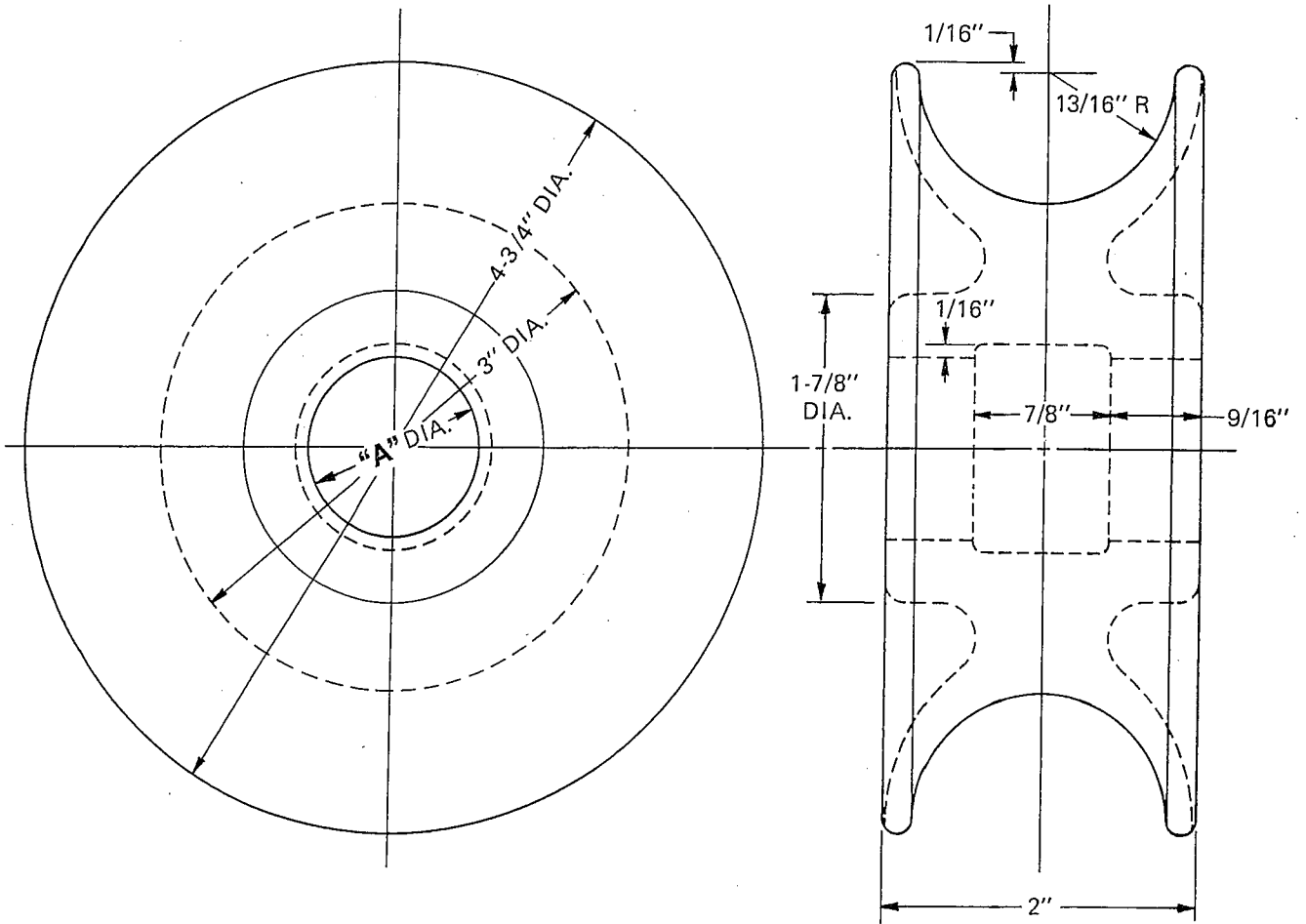
SILL STEP	MATERIAL	WEIGHT
DWG. 1-A-0239 Stock Part 57316075	ASTM A-36	10 lbs.

CAUTION: When selecting parts, customer should check applicable AAR & DOT requirements. Variations in dimensions and configuration available to meet your requirements. Specify or furnish sketch. This part is manufactured in accordance with AAR specification.



HAND BRAKE WHEEL	MATERIAL	WEIGHT
DWG. 2-A-0256 Stock Part 50097446	Ductible Iron ASTM A-536 Gr. 60-40-18	10.5 lbs.

This part is AAR approved.

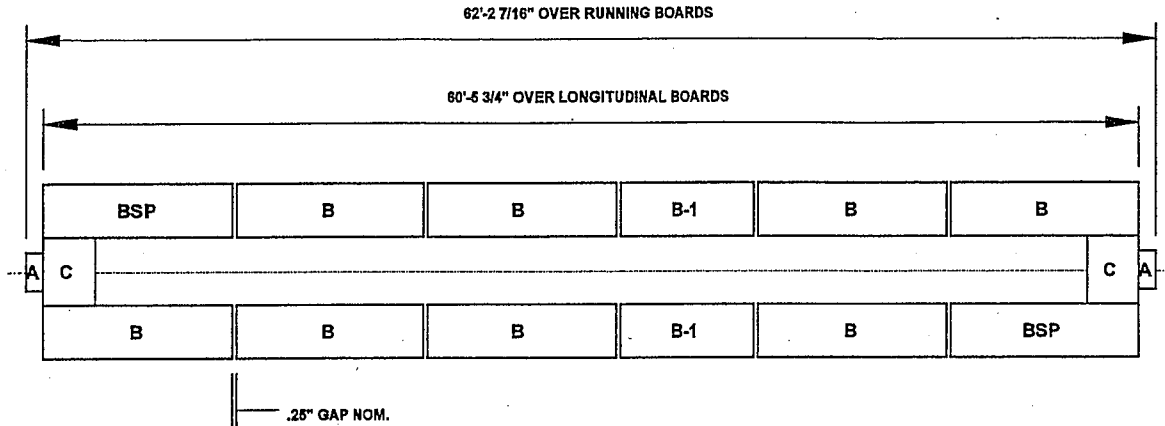


LINE	"A" DIA. HOLE
0	1-1/8" DIA
1	1" DIA

HAND BRAKE SHEAVE WHEEL	MATERIAL	WEIGHT
DWG. 25-62568	Gray Iron	3.75 lbs.



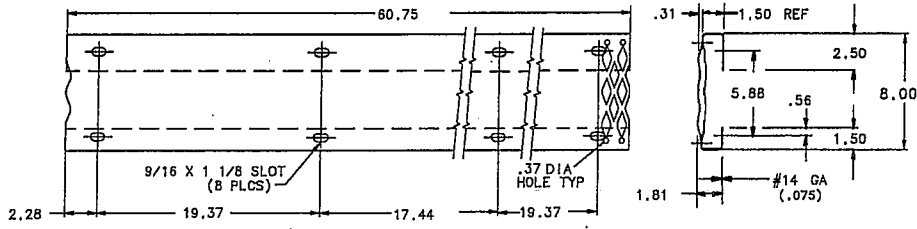
**CAR SET CONFIGURATION
ACF CENTER FLOW® CF 5711**



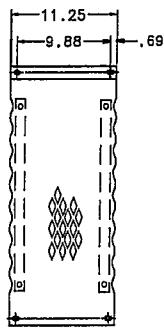
RUNNING BOARD CAR SET								
Catalog No. & Description	CF 3200	CF4650	CF 5001	CF 5100	CF5150	CF 5250	CF 5711	CF 6200
57316074 End Platform	2	2	2	2	2	2	2	2
57317124 Crossover "C" Board	2	2	2	2	2	2	2	2
57317125 Lateral "A" Board	2	2	2	2	2	2	2	2
57317126 Center "B" Board	4	6	6	6	6	6	8	8
57317127 Intermediate "B-1" Board							2	
57317128 End Handhold "BSP" Board	2	2	2	2	2	2	2	2
57317152 Intermediate "B-1" Board						2		
4K379905 Intermediate "B-1" Board								2
4K379901 Intermediate "B-1" Board			2		2			
57317155 Intermediate "B-1" Board	2							
57317156 Intermediate "B-1" Board		2						
4K379904 Intermediate "B-1" Board				2				



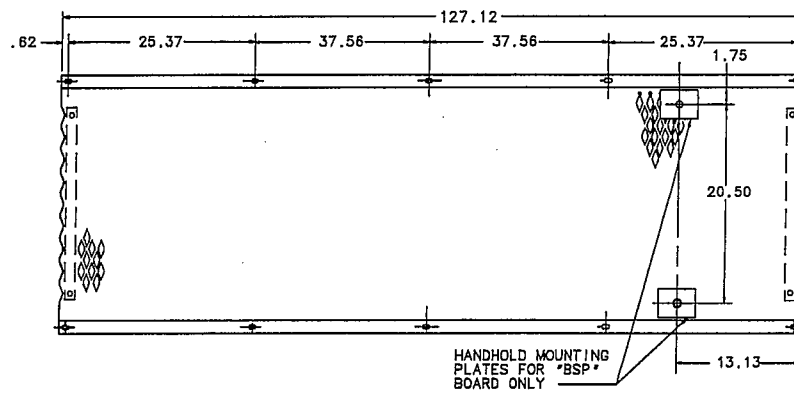
"END PLATFORM"



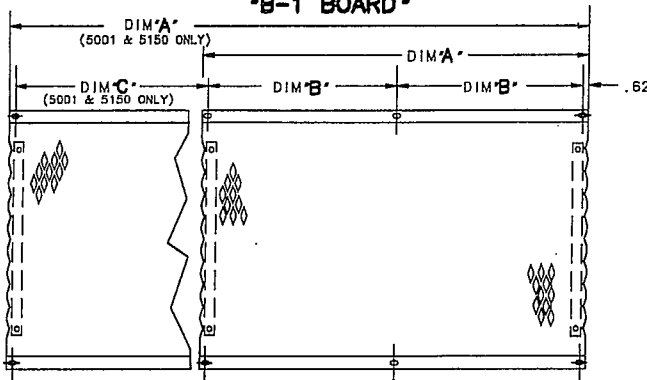
"A BOARD"



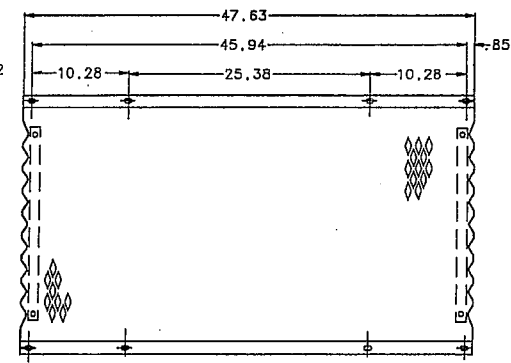
"B BOARD"



"B-1 BOARD"



"C BOARD"



CAR TYPE	DIM "A"	DIM "B"	DIM "C"
CF 3200	74.25	36.50	NA
CF 465D	95.63	47.19	NA
CF 5001	155.25	51.33	51.33
CF 5100	138.38	68.56	NA
CF 5150	155.25	51.33	51.33
CF 5250	141.75	70.25	NA
CF 5711	88.88	43.81	NA
CF 6200	132.75	65.75	NA

