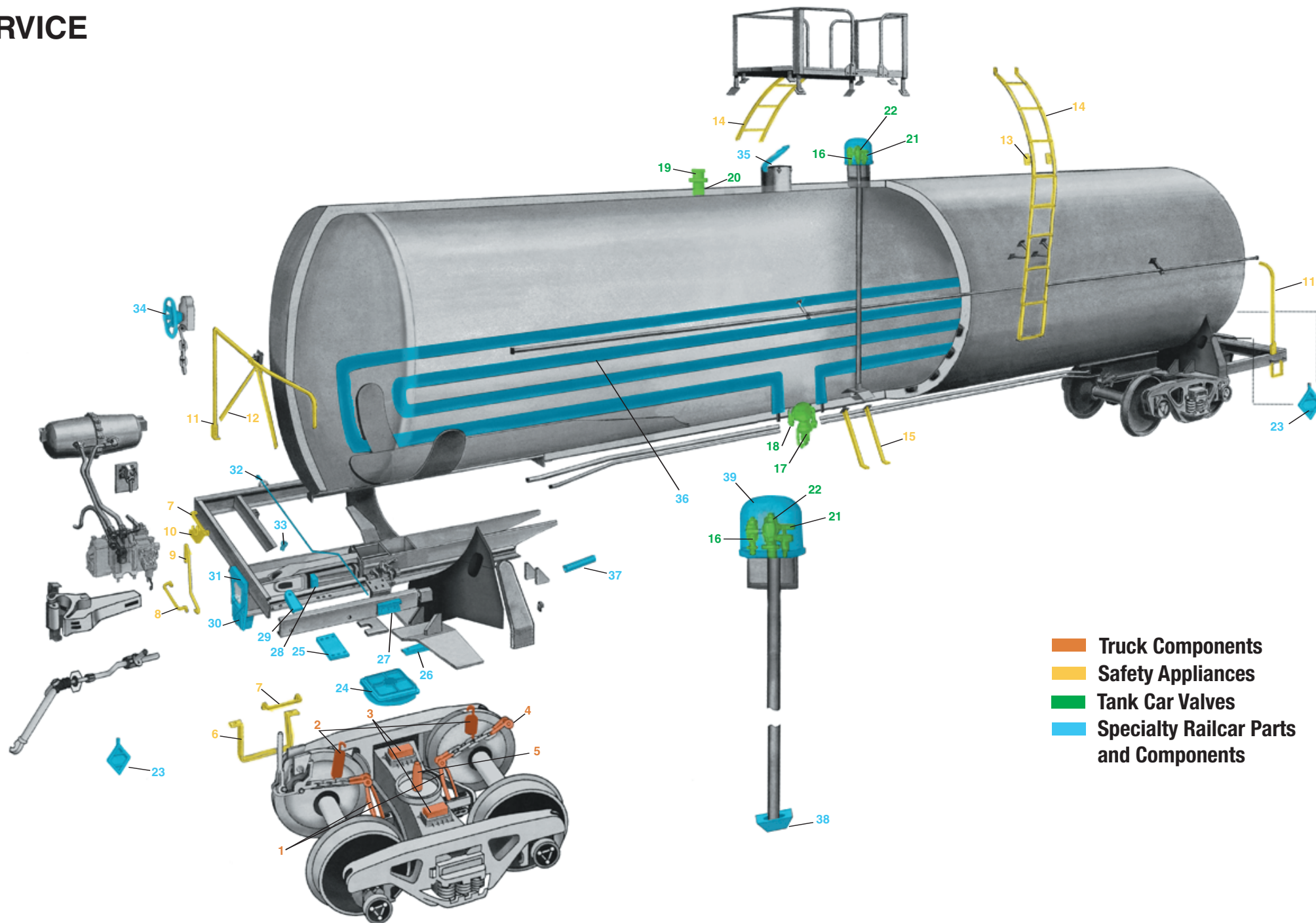


GENERAL SERVICE TANK CAR



- Truck Components
- Safety Appliances
- Tank Car Valves
- Specialty Railcar Parts and Components

TRUCK COMPONENTS

1. Brake Lever
2. Hand Brake Release Spring
3. Truck Side Bearing
4. Brake Lever Clevis
5. Center Pin

SAFETY APPLIANCES

6. Sill Step
7. Handhold
8. Grab Iron
9. Uncoupling Rod
10. Uncoupling Rod Bracket
11. End Safety Rail
12. End Platform Supports
13. Side Ladder Support
14. Safety Platform Ladder
15. Stand Off Ladder

TANK CAR VALVES

16. Air Inlet Valve
17. Bottom Outlet Valve
18. Steam Connection Cap
19. Safety Valve
20. Safety Valve Nozzle
21. Vacuum Relief Valve
22. Siphon Valve

SPECIALTY RAILCAR PARTS AND COMPONENTS

23. Placard Holder
24. Body Center Plate
25. Draft Gear Carrier
26. Body Side Bearing
27. Route Card Board
28. Follower Block
29. Draft Key
30. Coupler Carrier/Wear Plate
31. Striker Assembly
32. Release Rod
33. Draft Key Retainer
34. Hand Brake Wheel
35. Manway Cover and Bolts
36. Exterior Coils
37. Defect Card Holder
38. Forged Sump
39. Protective Housing Cover

