



# MILL GONDOLA CAR

---

*We Build and Service the Whole Car*

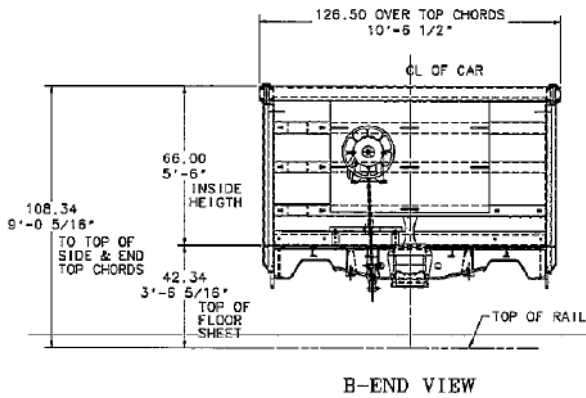
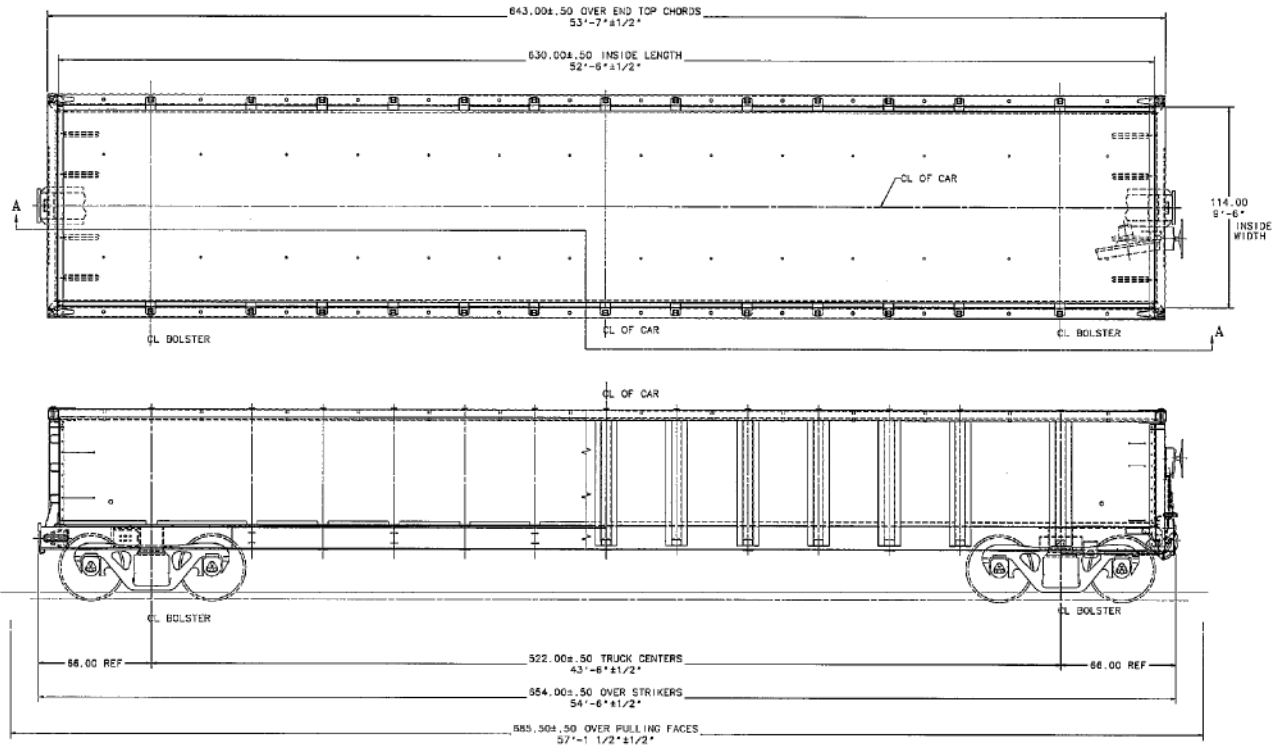


---

ARI's Mill Gondola Cars are a part of our expanding family of freight cars offering the shipper and receiver the highest level of quality design and workmanship in the industry.

Specifically designed and engineered for maximum loading capacity, our line of Mill Gondola Cars is available in three popular sizes; 37 foot – 2,500 cubic feet, 52 foot – 2,743 cubic feet and 66 foot – 3,350 cubic feet.

# General Arrangement



SPECIFICATIONS	37' MILL GONDOLA	52' MILL GONDOLA	66' MILL GONDOLA
Truck Centers	28' 7-1/2"	43' 6"	55' 8-1/2"
Over Strikers	39' 7-1/2"	54' 6"	67' 7"
Over Pulling Faces	42' 3"	57' 1-1/2"	70' 2-1/2"
Inside Length	37' 1-3/8"	52' 6"	66' 0"
Inside Width	9' 6"	9' 6"	9' 2-3/4"
Height	10' 7-7/16"	9' 13/16"	9' 13/16"
Capacity Level	2500 cu.ft.	2743 cu.ft.	3350 cu.ft.
Light Weight (estimated)	54,500#	70,000#	78,000#
Gross Rail Load	286,000#	286,000#	286,000#
Load Limit	231,500#	216,000#	208,000#



**AMERICAN RAILCAR INDUSTRIES, INC.**

100 Clark Street, St. Charles, Missouri 63301

website: [www.americanrailcar.com](http://www.americanrailcar.com)

sales@americanrailcar.com (636) 940-6020 • Fax (636) 940-6100