



"The Single Source for all your Railcar Needs." SM

LIQUEFIED PETROLEUM GAS



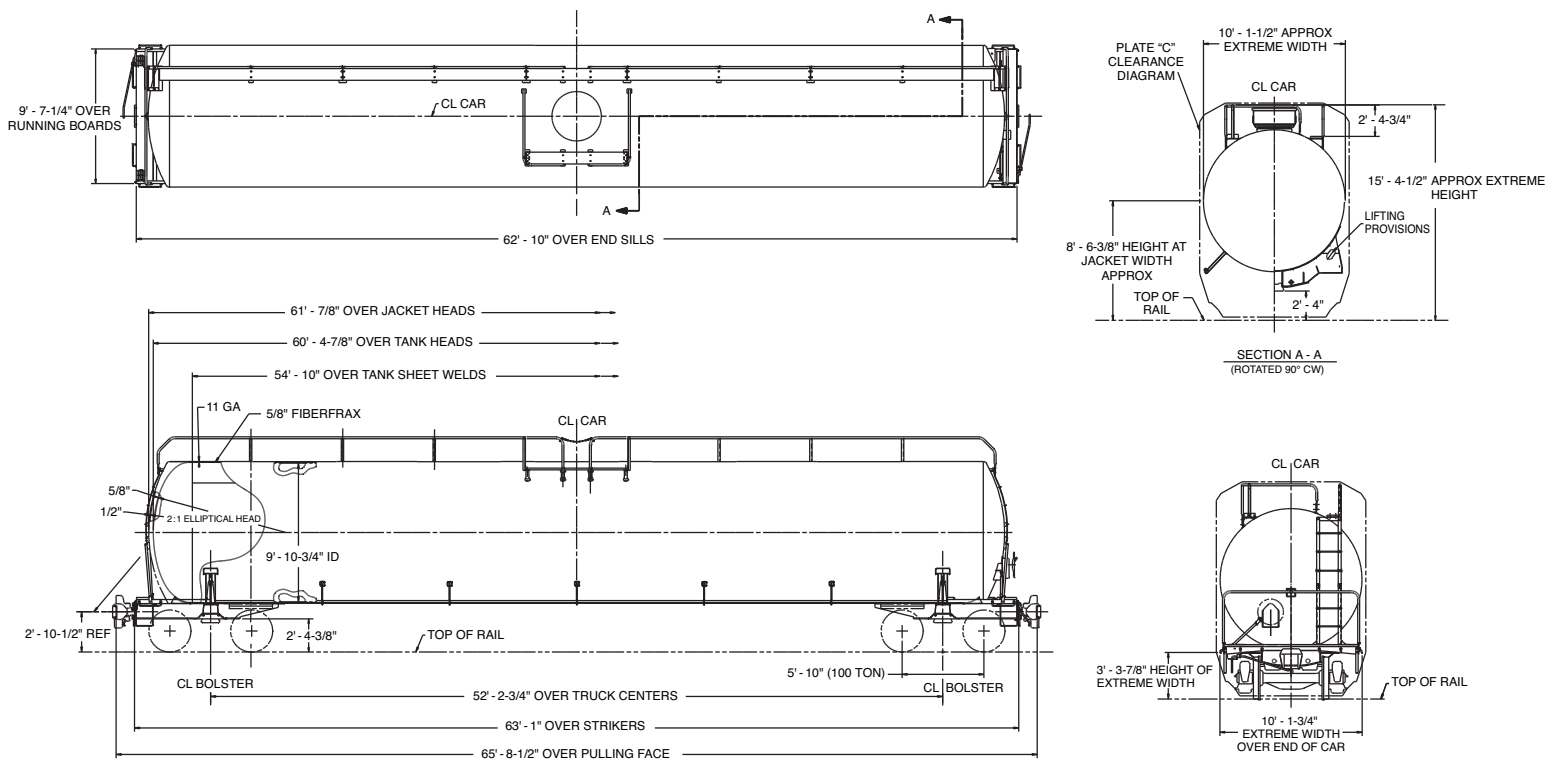
33600

33,600 Gallon Pressure Tank Car

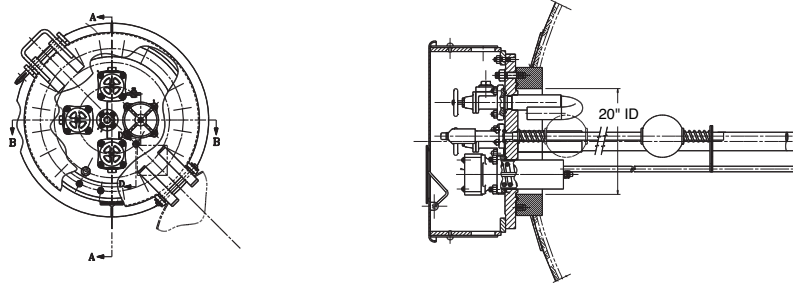
The 33,600 gallon tank car is specifically designed for LPG (liquefied petroleum gas). The tank is built with 5/8" thick normalized steel covered with a ceramic fiber thermal protection system. This tank car provides the shipper and receiver with the highest quality car in the industry.

- Designed to meet customer specifications.
- Manufactured to 263,000 lb. capacity.
- Industry standard top fittings arrangement.

General Arrangement



Manway & Fittings Arrangement



GENERAL DATA

Specification Stencilled	DOT 112J340W
Shell Full Capacity	33,600 Gallons
Gross Rail Load	263,000 lbs.
Estimated Lightweight	100,800 lbs.
Length Over Strikers	63' 1"
Length Over Pulling Face	65' 8.5"
Truck Centers	52' 2-3/4"
Extreme Height	15' 4.5"
Extreme Width	10' 1-1/2"

TANK

Class	DOT 112A340W
Inside Diameter	118-3/4"
Length Over Tank Heads	60' 5"
Plate Thickness	5/8"
Slope	None

TANK FITTINGS

Manway Cover	ASTM A516 Gr70
Manway Nozzle	20"
Safety Valve Device	ARI-HP1108 280.5 psi
Top Unloading	
	3" Siphon pipes with check valves and 2" angle valves
	Vapor connection with check valve and 2" angle valve
	Magnetic gauging device
	Thermowell
	3/4" Sample line

TRUCKS

Type	100 Ton Capacity
Wheels	Steel, 36" One-Wear



AMERICAN RAILCAR INDUSTRIES

100 Clark Street, St. Charles, Missouri 63301

(636) 940-6020 • FAX: (636) 940-6100

e-mail: sales@americanrailcar.com / website: www.americanrailcar.com

THE SINGLE SOURCE FOR ALL YOUR RAILCAR NEEDSSM