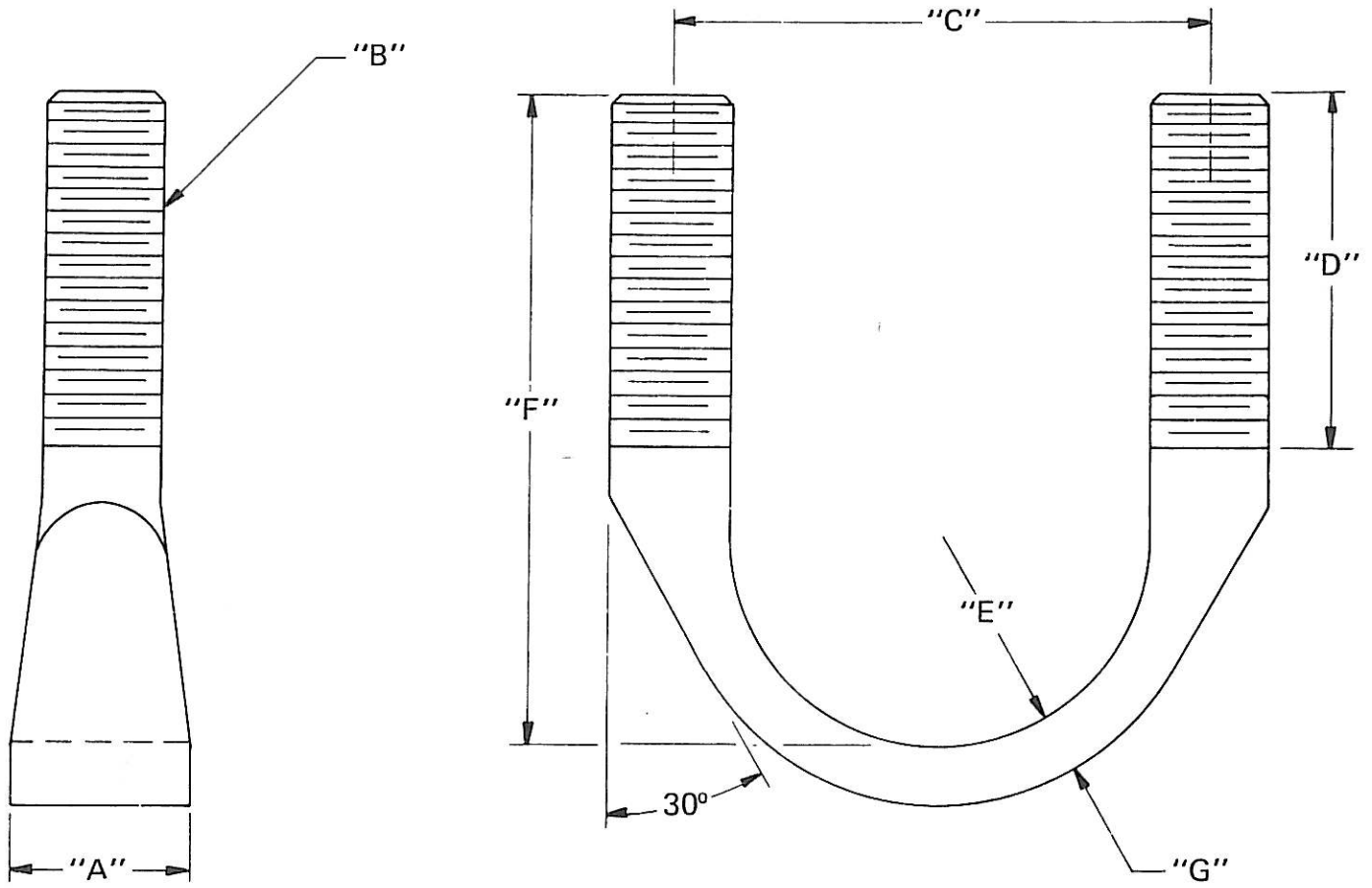


ANGLE COCK U-BOLT	MATERIAL	WEIGHT
DWG. 1-D-4547 Stock Part 90034281	ASTM A-575 Gr. M-1020	0.8 lbs.

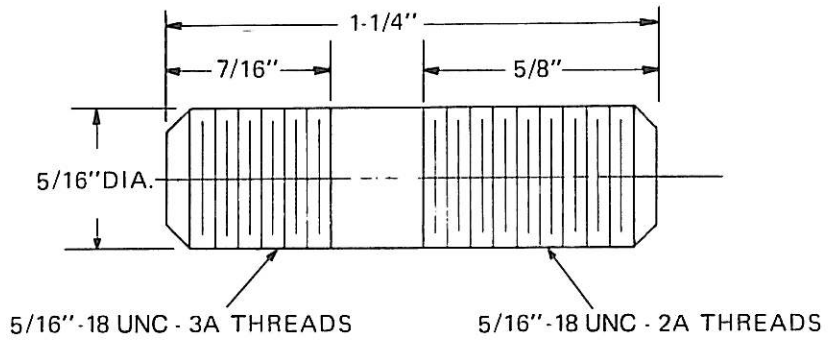
Supplied with rolled threads for added strength, accuracy and uniformity as compared to cut threads.



LINE	"A"	"B"	"C"	"D"	"E"	"F"	"G"	PIPE SIZE	DRAWING	STOCK PART
0	3/4"	1/2 - 13 UNC-2A	2-1/4"	1-1/2"	.902"	2-3/4"	1/4"	1-1/4"	1-D-6539	90034284
1	7/8"	5/8 - 11 UNC-2A	2-1/2"	1-5/8"	.969"	3"	5/16"	1-1/4" — 1-1/2"	1-D-6391	90034283
2	11/16"	1/2 - 13 UNC-2A	1-5/8"	1-1/4"	.590"	2-1/4"	1/4"	3/4"	1-D-6390	90034282

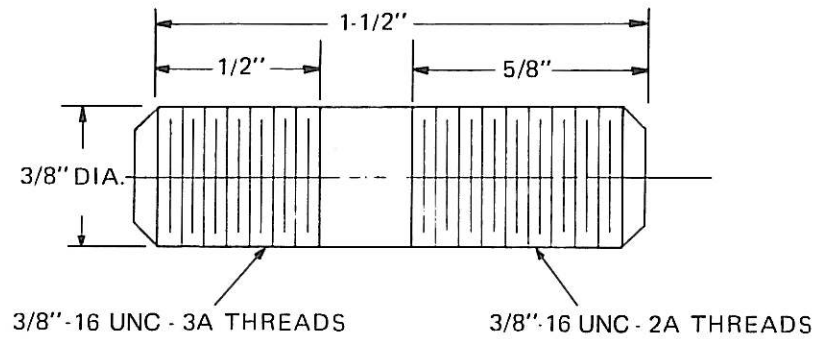
PIPE CLAMP U-BOLT	MATERIAL	WEIGHT
DWG. (See Table) Stock Part (See Table)	ASTM A-576 Gr. C-1020	Approx. .30 lbs.

Supplied with rolled threads for added strength, accuracy and uniformity as compared to cut threads.



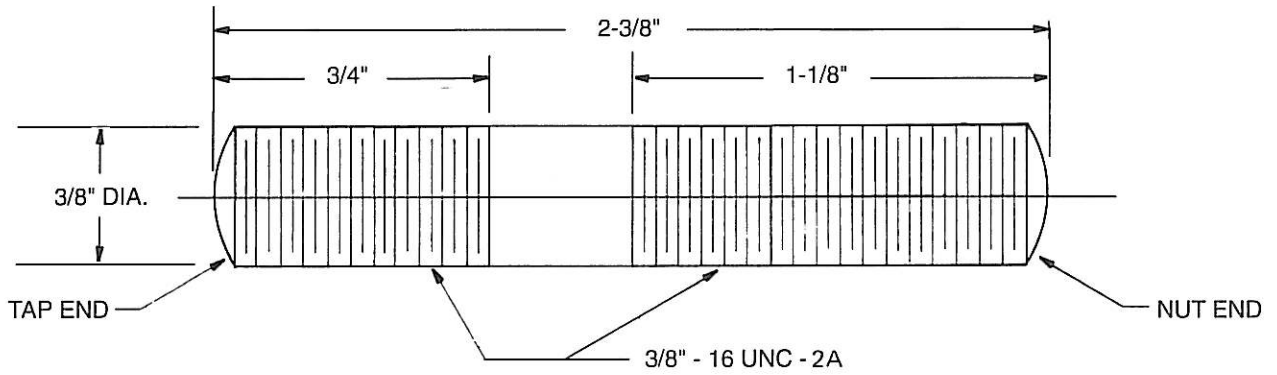
DOUBLE END STUD BOLT	MATERIAL	WEIGHT
5/16" X 1-1/4" DWG. 1-F-5848 Stock Part 90001544	ASTM A-307 Gr. B	.03 lbs.

NOTE: Cadmium plated per ASTM A 165.
Type NS after plating bake at 350°F to
400°F for five (5) hours.



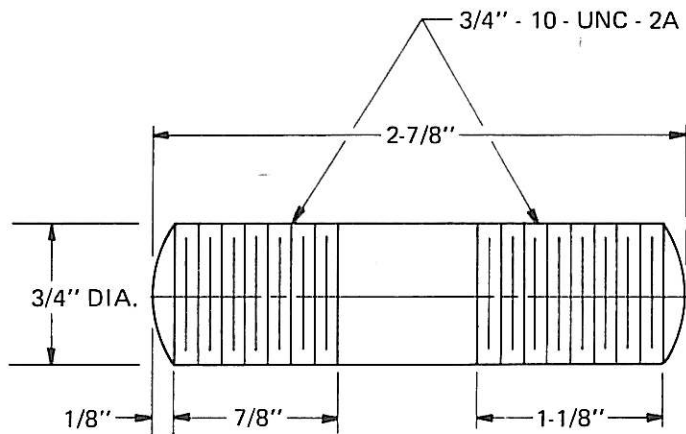
DOUBLE END STUD BOLT	MATERIAL	WEIGHT
3/8" X 1-1/2" DWG. 1-F-5849 Stock Part 90001546	ASTM A-193 Gr. B-7	.05 lbs.

NOTE: Cadmium plated per ASTM A 165.
Type NS after plating bake at 350°F to
400°F for five (5) hours.



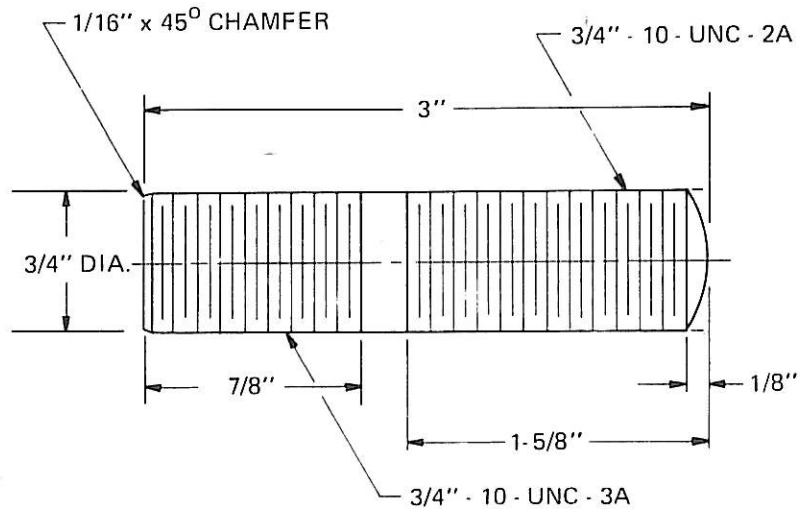
DOUBLE END STUD BOLT	MATERIAL	WEIGHT
3/8" X 2-3/8" DWG. 2-B-9747 Stock Part 90001858	ASTM A-307 Gr. A	.074 lbs.

NOTE: Length of threads measured to last scratch.



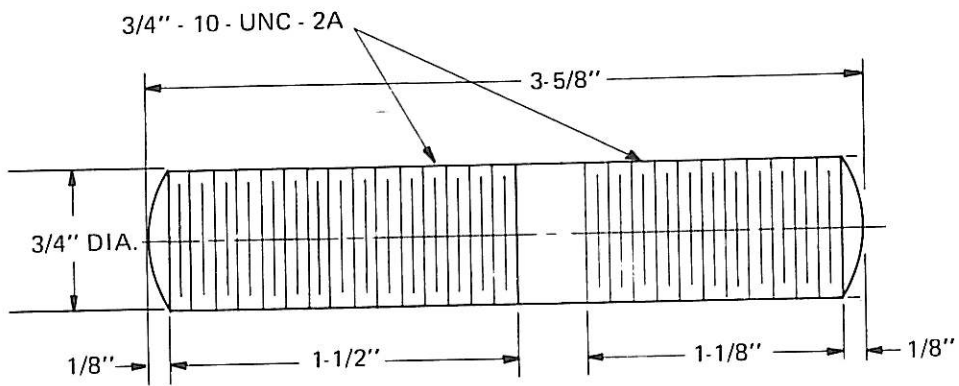
DOUBLE END STUD BOLT	MATERIAL	WEIGHT
3/4" X 2-7/8" DWG. 1-C-1247-02 Stock Part 90001823	ASTM A-320 Gr. L7	.4 lbs.

Impact requirements by Charpy V-Notch are in accordance with Paragraph 9, Appendix W of the AAR specifications for tank cars.



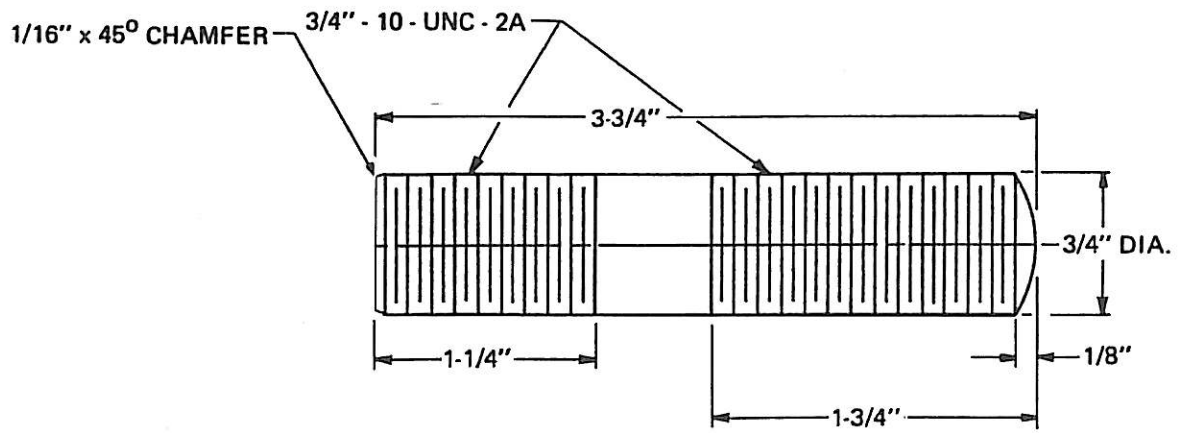
DOUBLE END STUD BOLT	MATERIAL	WEIGHT
3/4" X 3" DWG. 2-C-1249 Stock Part 90001949	ASTM A-320 Gr. L7	0.4 lbs.

Impact requirements by Charpy V-Notch are in accordance with Paragraph 9, Appendix W of the AAR specifications for tank cars.

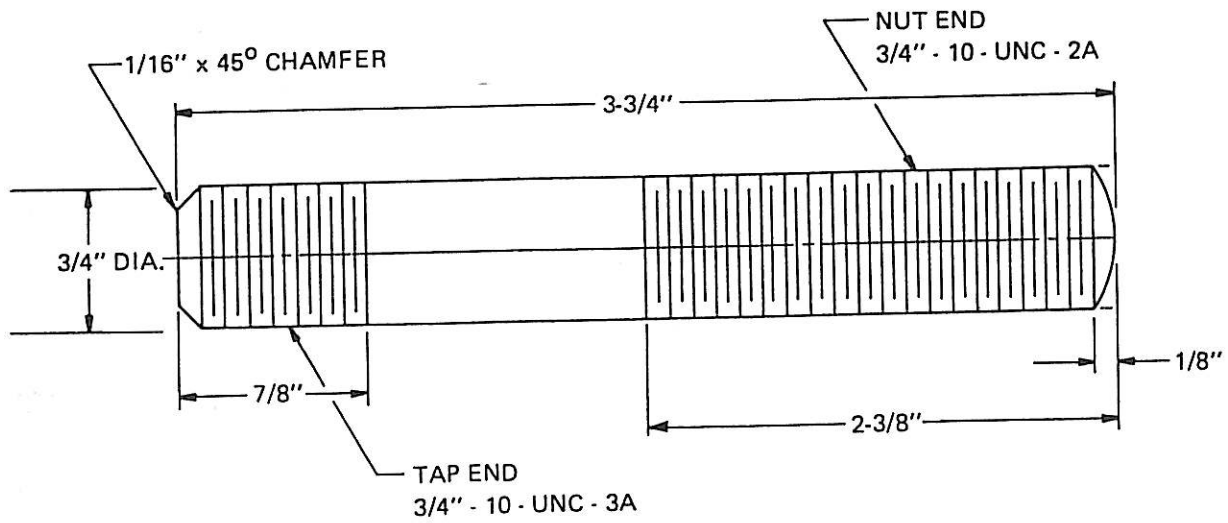


DOUBLE END STUD BOLT	MATERIAL	WEIGHT
3/4" X 3-5/8" DWG. 1-C-6114 Stock Part 90001243	ASTM A-320 Gr. L7	.4 lbs.

Impact requirements Charpy V-Notch type A prepared in accordance with ASTM A-370 & tested in accordance with W9.01 (d) of AAR Appendix W.

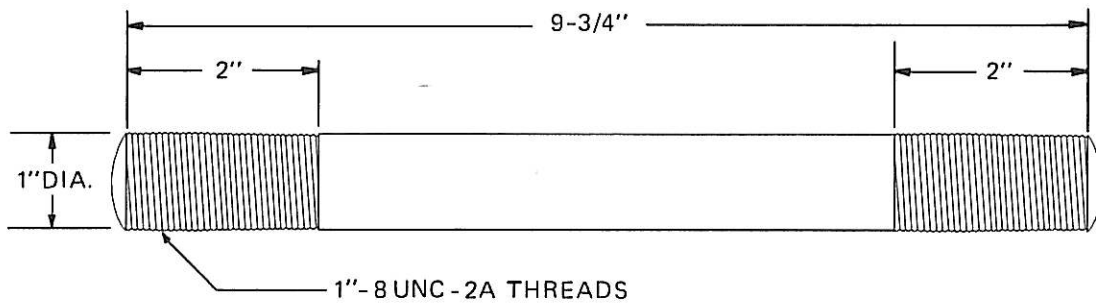


DOUBLE END STUD BOLT	MATERIAL	WEIGHT
3/4" X 3-3/4" DWG. 1-C-6553 Stock Part 90034017	ASTM A-576 Gr. C-1020	.46 lbs.

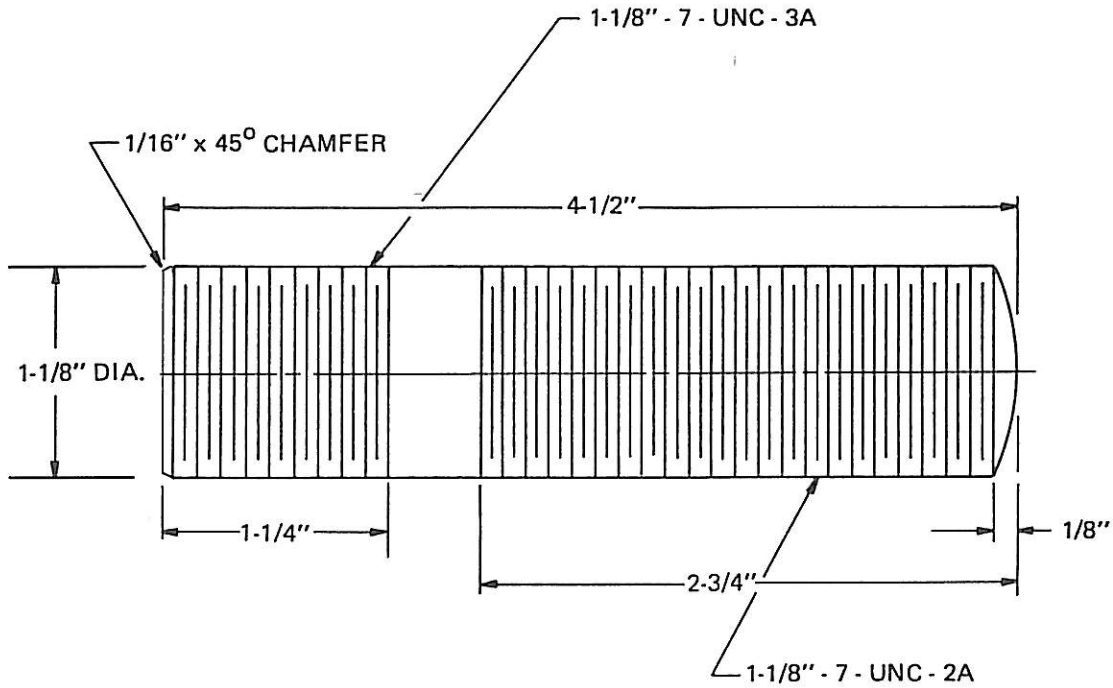


DOUBLE END STUD BOLT	MATERIAL	WEIGHT
3/4" X 3-3/4" DWG. 11-33133 Stock Part 90034501	ASTM A-320 Gr. L7	.5 lbs.

Impact requirements by Charpy V-Notch are in accordance with Paragraph 9, Appendix W of the AAR specifications for tank cars.



DOUBLE END STUD BOLT	MATERIAL	WEIGHT
1" X 9-3/4" DWG. 1-C-1519 Stock Part 90001270 Stock Part 90001564	ASTM A-354 Gr. BC STN STL ASTM A-193 Gr. B8 Class 2 TY. 304	.3 lbs.



DOUBLE END STUD BOLT	MATERIAL	WEIGHT
1-1/8" X 4-1/2" DWG. 1-C-1248 Stock Part 90001951	ASTM A-320 Gr. L7	1.5 lbs.

Impact requirements by Charpy V-Notch are in accordance with Paragraph 9, Appendix W of the AAR specifications for tank cars.