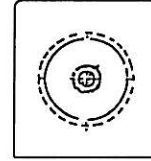




## CENTER PLATES

Stock Part 57319210

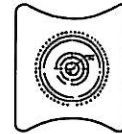
20-3/8" x 18"  
3/4" Flange  
11-3/4" Bowl  
Without Holes



**PAGE 14**

Stock Part 57319015

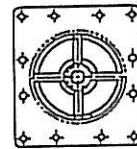
20-3/8" x 18"  
3/4" Flange  
11-3/4" Bowl  
Without Holes



**PAGE 15**

Stock Part 57319017

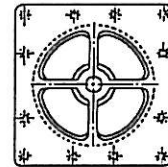
20-3/8" x 18"  
3/4" Flange  
13-3/4" Bowl  
With Holes (W/O Holes 57319174)



**PAGE 16**

Stock Part 57319024

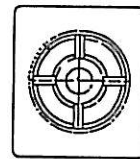
20-3/8" x 21"  
3/4" Flange  
15-7/8" Bowl  
With Holes



**PAGE 17**

Stock Part 57319121

20-3/8" x 18"  
1-1/4" Flange  
13-3/4" Bowl  
Without Holes

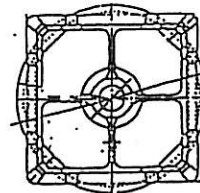


**PAGE 18**

## LOW PROFILE CENTER PLATE

DWG. 5-K-8758

20-3/8" x 18"  
1-1/4" Flange  
13-3/4" Bowl  
Without Holes

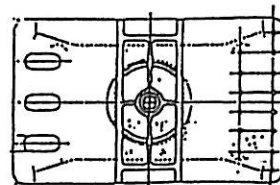


**PAGE 19**

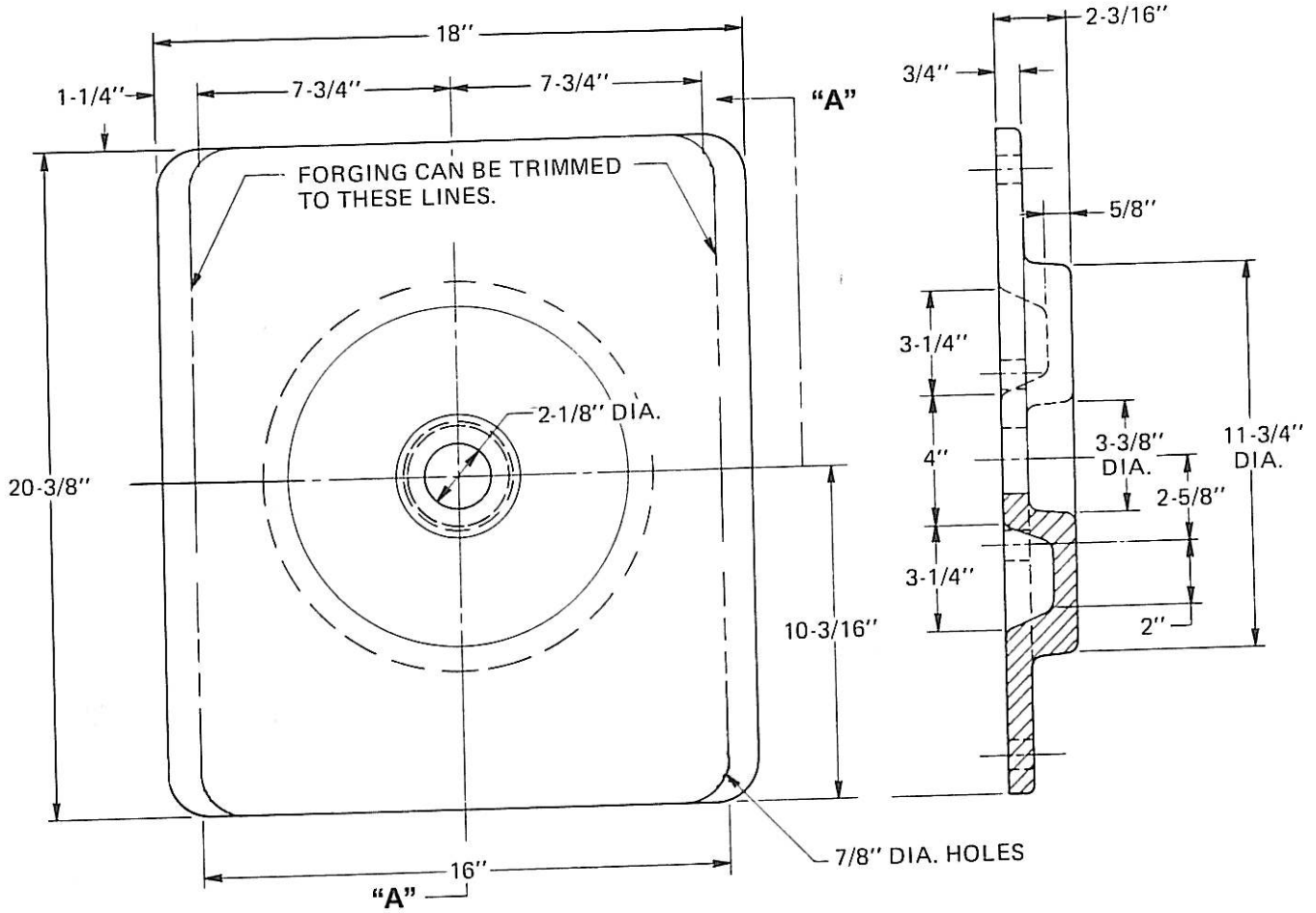
## WINGED CENTER PLATES

Stock Part 57319227  
57319228

Welded with Slots  
Bolted with Holes

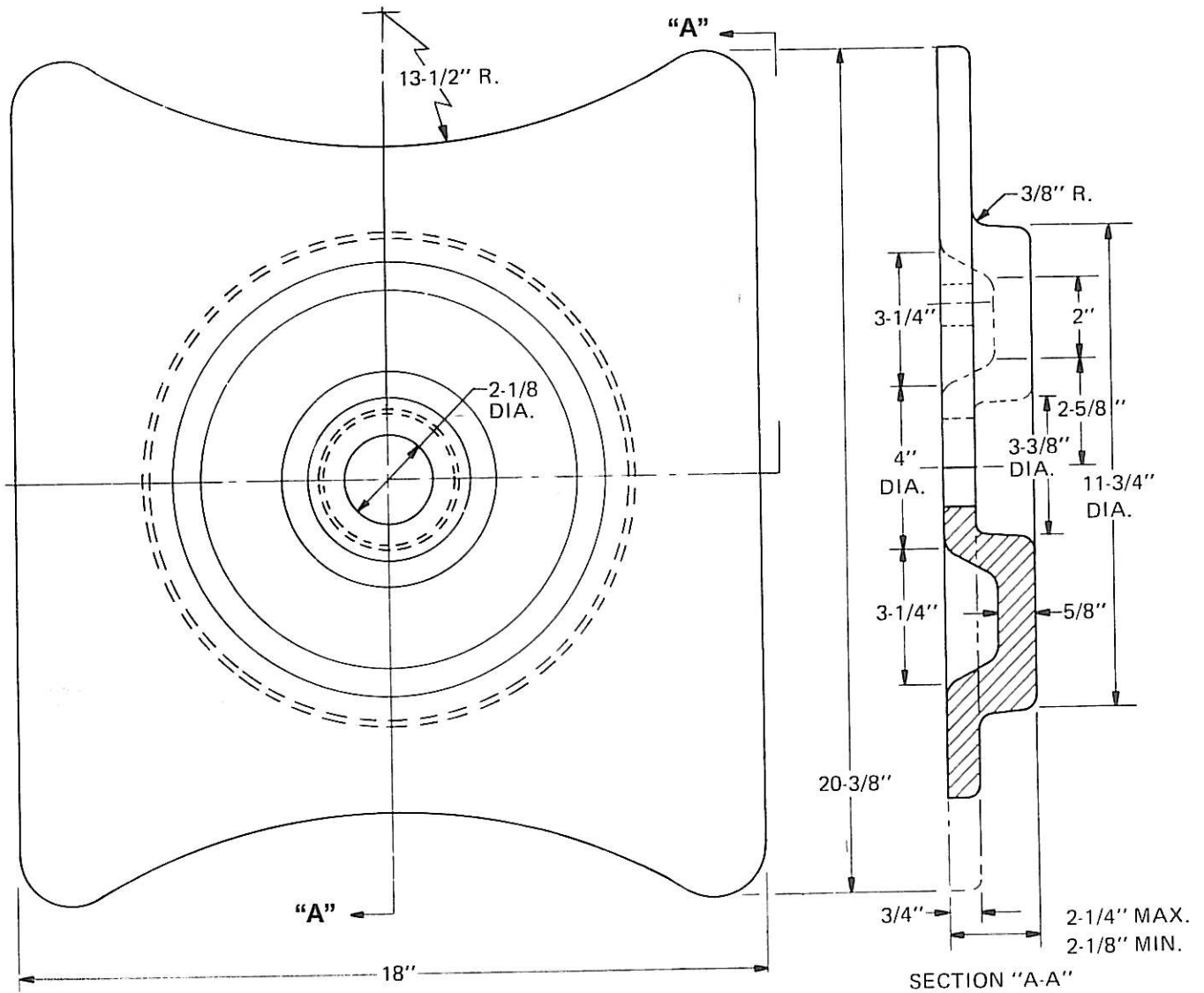


**PAGE 20**



BODY CENTER PLATE	MATERIAL	WEIGHT
40-50 Ton DWG. 2-A-9815-02 Stock Part 57319210	AISI C-1020 C.14 - .22%	114 lbs.

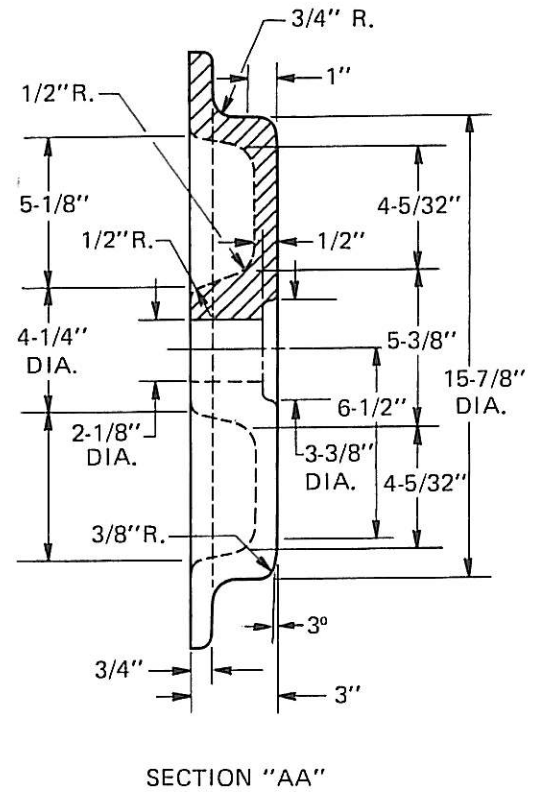
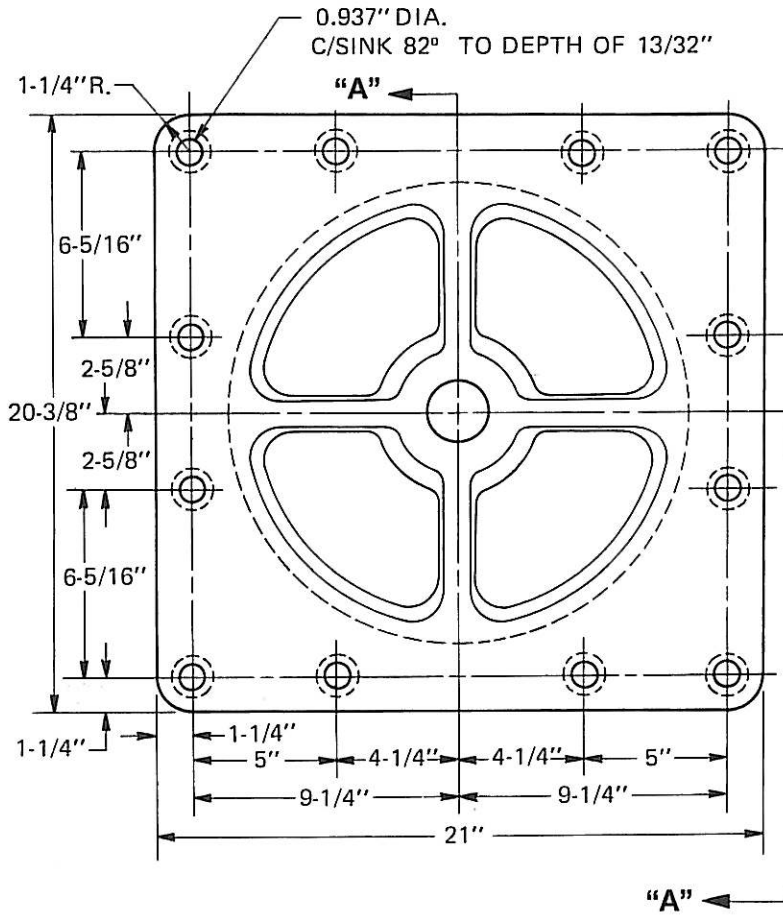
NOTE: This part should be used only for repair or replacement. Center Plate is supplied without holes unless specified. Furnish sketch for punched, drilled, and/or countersunk hole pattern desired. Please specify if you want this part normalized.



BODY CENTER PLATE	MATERIAL	WEIGHT
40-50 Ton DWG. 2-E-8926 Stock Part 57319015	AISI C-1020 Drop Forged	80 lbs.

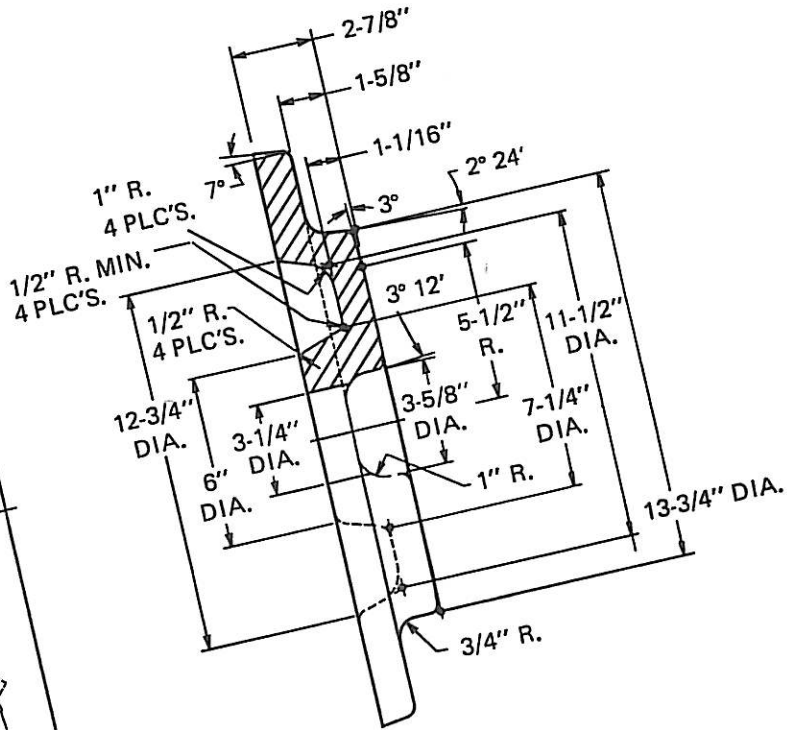
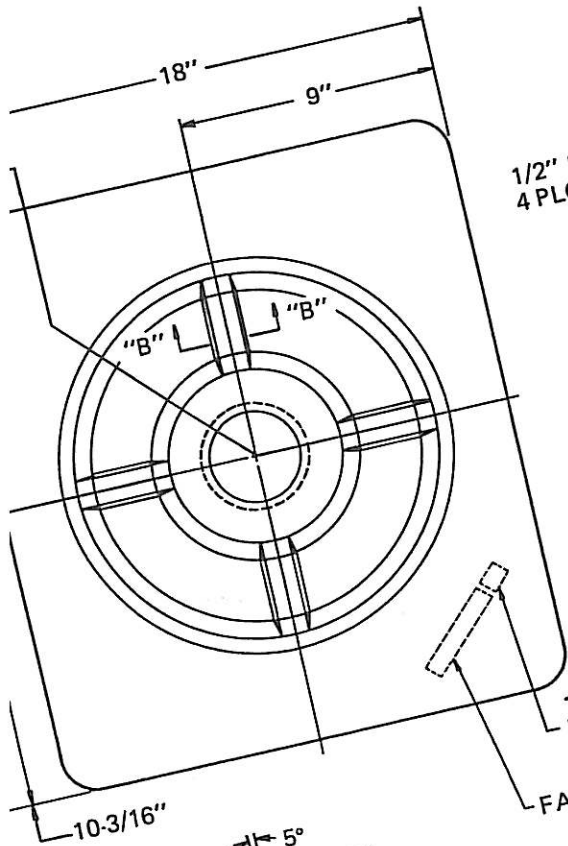
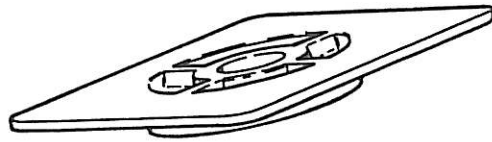
NOTE: This part should be used only for repair or replacement. This part conforms to AAR Standard. Center Plate is supplied without holes unless specified. Furnish sketch for punched, drilled, and/or countersunk hole pattern desired. Plate may be stencilled and may also be normalized.





BODY CENTER PLATE	MATERIAL	WEIGHT
100 Ton DWG. 2-F-8651 WITH HOLES AS SHOWN Stock Part 57319024	AISI C-1026 Modified with 1.35% Max. Manganese Normalize after Forging	152 lbs.

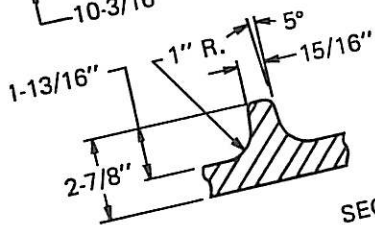
NOTE: This part should be used only for repair or replacement. Center Plate supplied with holes unless specified.



SECTION A-A

"A"  
ISSUE LETTER  
PER DWG.

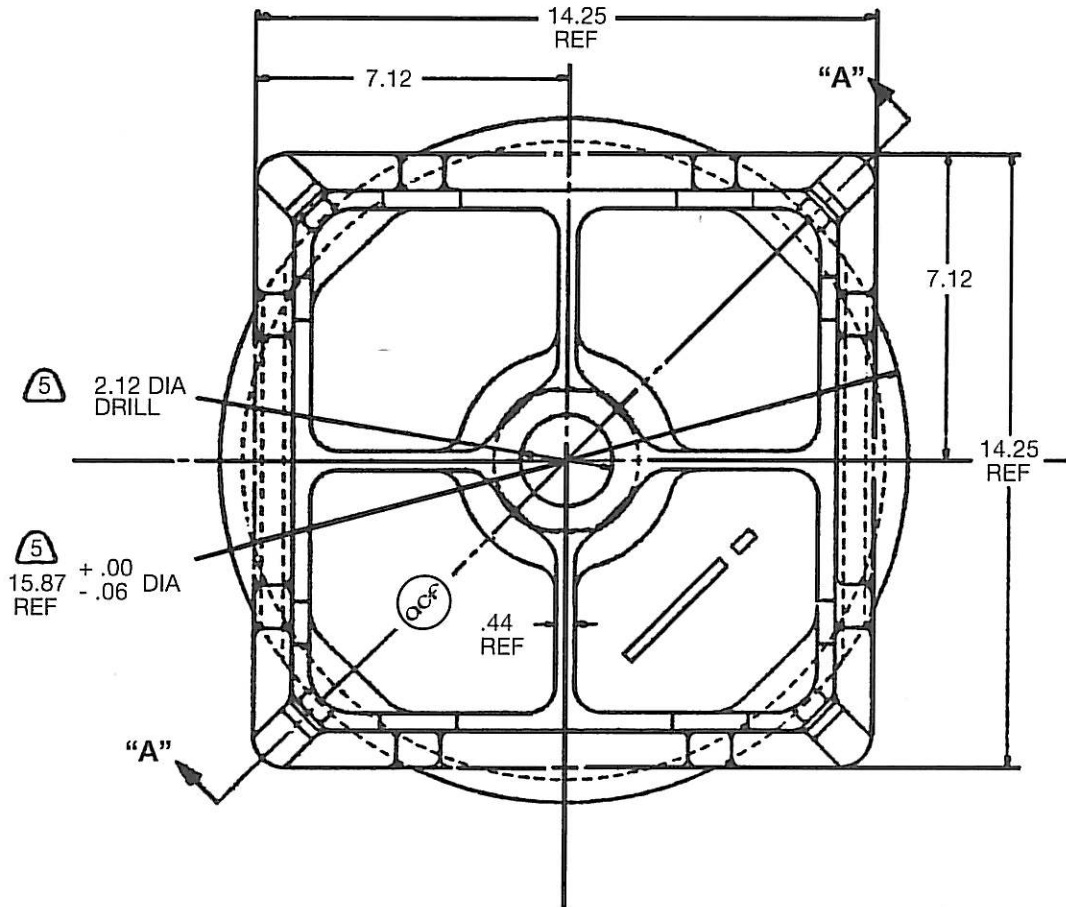
FAR SIDE



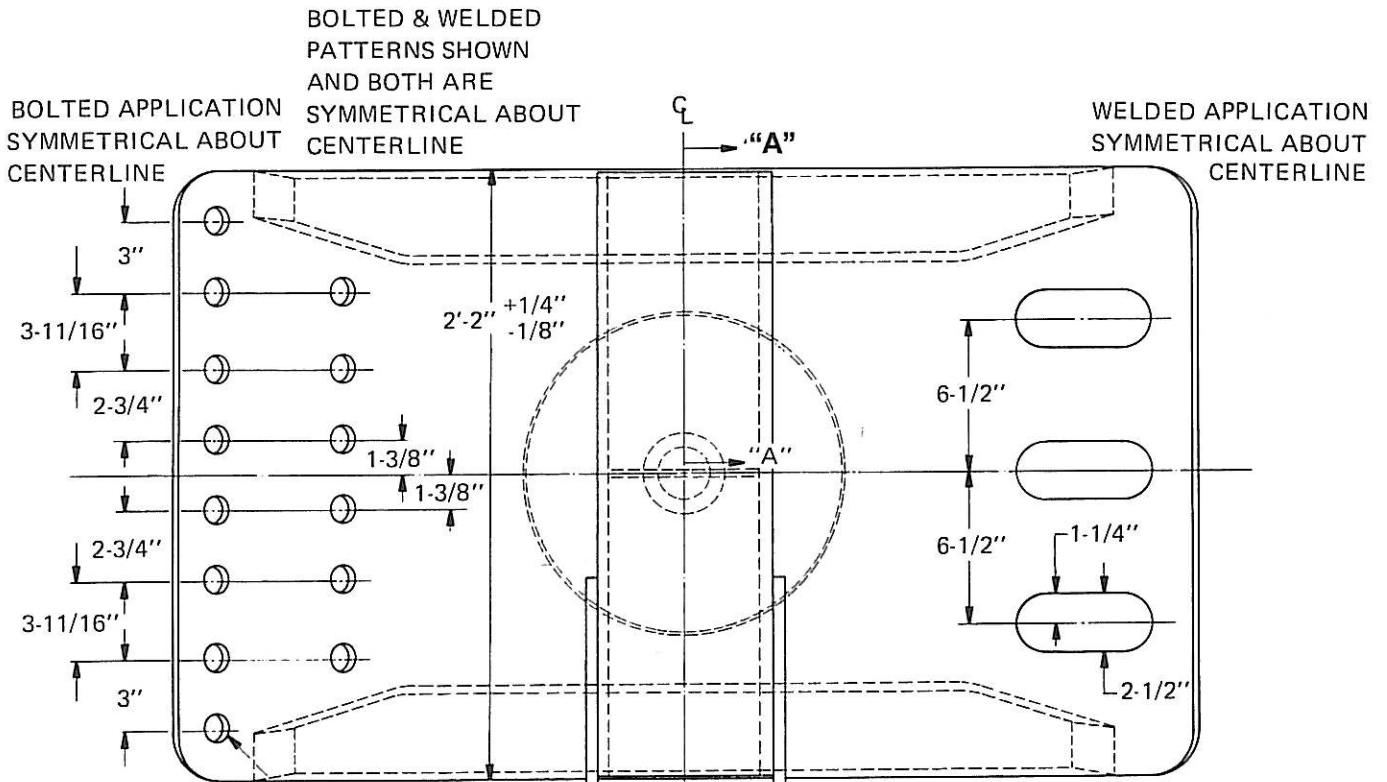
SECTION B-B

Center plate conforms to AAR standard  
hardened to 300 BHN min.

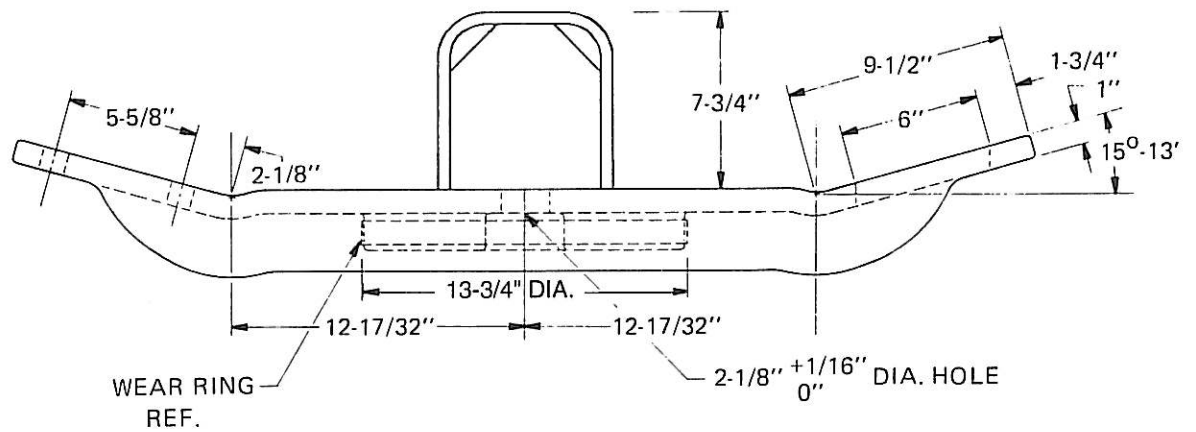
BODY CENTER PLATE	MATERIAL	WEIGHT
70-100 Ton DWG. 4-G-4859 Stock Part 57319121	1A1S1-C-1026 Modified with .35 % Max Manganese or A1S1 C-1030	172 lbs.



LOW PROFILE CENTER PLATE	MATERIAL	WEIGHT
DWG. 5-K-8758	AAR Specifications M-201 Grade B	159 lbs.

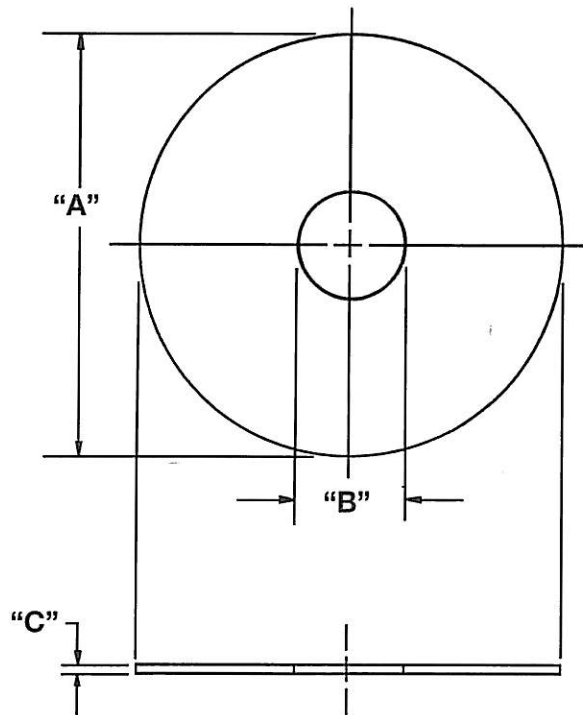


LINE	DESCRIPTION	STOCK PART
1	Bolted application	57319228
2	Welded application	57319227



CENTER PLATE WITH SUPPORT	MATERIAL	WEIGHT
DWG. 4-U-1886 Stock Part (See Table)	Center Plate ASTM A-273 Gr. 1026 1.35% Max. Mn Support - Steel	Approx. 700 lbs.

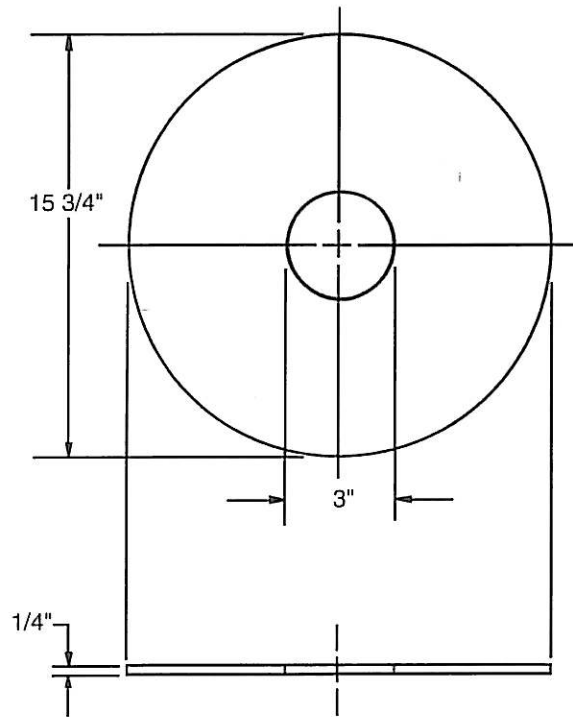
Our Center Plate, designed for use with Center-Of-Car Cushioning, has been proven through years of trouble free service. All ARI Center Plates are heat treated 1/8" deep to 300 BHN min.



LINE	"A"	"B"	"C"	WT. (LBS)	STOCK PART
0	11-1/2"	3-5/8"	1/8"	3.4	50094124
1	11-1/2"	3-5/8"	1/4"	5.7	50094235
3	13-1/2"	3-5/8"	1/4"	9.1	50094236
4	13-1/2"	3-5/8"	1/8"	4.6	50094237
5	11-1/2"	3-5/8"	3/16"	5.0	50094238
6	13-1/2"	3-5/8"	3/16"	7.0	50094239

HORIZONTAL CENTER PLATE LINER — STEEL	MATERIAL	WEIGHT
DWG. 1-G-7705 Stock Part (See Table)	AISI 1040-1050	See Table

*This part conforms to AAR interchange rule #47 figure "F"*



HORIZONTAL CENTER PLATE LINER — MANGANESE	MATERIAL	WEIGHT
DWG. 1-H-0512	11 - 14% Manganese Steel	13.3 lbs.