



SPECIAL PRODUCTS GROUP

MINI RAILCAR PARTS CATALOG



Table of Contents

Adapters, Aluminum (5135, 5135AM, 5235, 5236)	2	Hatch Cover, 30" Steel	14
Adapters, Plastic (5236)	2	Lug, Front Draft	14
Body Side Bearing Shim	2	Lug, Rear Draft	14
Body Side Bearing - Tapered	2	Membrane (5019)	15
Bolt, Manway Cover	2	Membrane, Bottom Adapter Gasket (5015)	15
Brake Beam Guide Wear Plate	3	Membrane, Pressureaide	15
Brake Pin	3	Membrane Adapter Kit (5015, 5019)	15
Brake Pipe Clamp - Base	3	Outlet, Hopper Car (5135AM)	15
Brake Pipe Clamp - Wedge	3	Outlet, Hopper Car (5235)	16
Brake Shoe Key	4	Outlet, Hopper Car (5236, 5236A)	16
Cap, Plug and Chain Assembly	4	Outlet Cap	16
Center Pin	4	Placard Holder	16
Center Plate (40-100Ton)	4	Placard Board & Route Card Board Frame	17
Center Plate Bowl Liner - Horizontal	5	Roller Bearing Retainer Frame Key	
Center Plate With Support	5	(Narrow Pedestal)	17
Coupler Carrier Wear Plate	5	Roping Staples	17
Coupler Carrier Wear Plate - Flat	5	Route Card Holder (Mechanically Fastened)	17
Defect Card Holder	5	Route Card Holder (Welded Application)	17
Draft Gear Carrier	6	Running Board	18
Draft Key	6	Rupture Disc. Assembly (5 PSI, 15 PSI)	18
Draft Key Retainer & Keeper (Lock)	6	Rupture Disc. Replacement (5 PSI, 15 PSI)	18
Draft Key Retainer & Lock	6	Side Bearing Shoe	18
Draft Key Retainer Washer	6	Striker Assembly	18
Draft Key Slot - Reinforcement	7	U-Bolt, Angle Cock	19
Follower Block - Y44	7	U-Bolt, Pipe Clamp	19
Gasket, Mounting Frame (5135, 5135AM, 5235, 5236) ...	7	Uncoupling Rod Bracket Assembly	19
Hand Brake Release Spring	7	Vibrator Bracket	19
Hand Brake Wheel	7	Valve, Angle (1301)	19
Handhold-Adjustable-Single Offset.....	8	Valve, Angle (EKK Eagle America)	20
Handhold-Adjustable-Straight Offset	8	Valve, Bottom Outlet (1585)	20
Handhold-Adjustable-Straight w/Offset Style Foot...	8	Valve, Bottom Outlet (2020)	20
Handhold-Adjustable-Double Offset Style	10	Valve, Bottom Outlet (2040)	20
Handhold-Double Bend	10	Valve, Excess Flow (1418, 1419, 1420)	20
Handhold-Single Bend (Up)	10	Valve, Safety Relief (1108)	21
Handhold-Single Bend (Out)	12	Valve, Safety Relief (HP 1108)	21
Handhold-Straight	12	Valve, Safety Relief (1128)	21
Hatch Cover, 20" Aluminum	14	Valve, Safety Relief (1148)	21
Hatch Cover, 20" Plastic	14	Valve, Vacuum Relief (1624, S1624)	21
Hatch Cover, 20" Vented	14		

GENERAL ORDERING INFORMATION

This mini-catalog is designed to supplement **ARI's Railcar Car Parts, Center Flow Accessories** and **Tank Car Valve And Accessories Catalogs**. Parts listed in this catalog are readily available for both replacement parts and new car construction.

To derive maximum benefit from this catalog please note the following:

1. Include the part's name, stock part number and drawing number (where available) on your purchase order (ARI's stock part number is provided for each part).
2. If an item you need is not in this catalog please refer to ARI's complete **Railcar Car Parts, Center Flow Accessories** or **Tank Car Valve And Accessories Catalogs** or send drawing(s) along with your inquiry or order. ARI has the capability of providing items unique to your needs.
3. All shipments are quoted FOB our plant, Jackson, MO.
4. Please send your inquiry and/or order to your ARI Field Representative or to:

SPECIAL PRODUCTS GROUP

American Railcar Industries

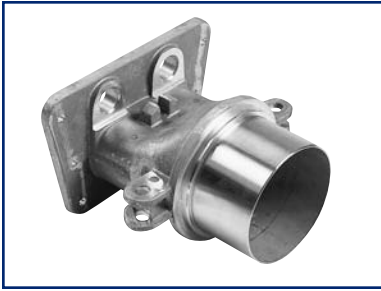
100 Clark Street

St. Charles, Missouri 63301

Phone: (636) 940-6020 • Fax: (636) 940-6100

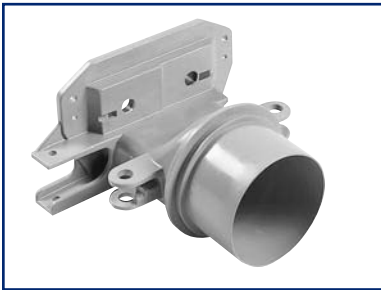
Email: specialproducts@americanrailcar.com

Adapters, Aluminum



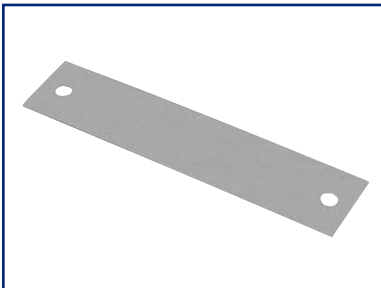
Part	Stock Part No.	Weight
5135	50094102	12.90 lbs.
5135 AM	50094102	12.90 lbs.
5235	50094102	12.90 lbs.
5236	5U407000	11.35 lbs.

Adapters, Plastic



Part	Stock Part No.	Weight
5236	5U353800	4.85 lbs.

Body Side Bearing Shim (4" x 18")



Thickness	Stock Part No.	Weight
1/8"	67937502	2.50 lbs.
3/16"	67937503	3.80 lbs.
1/4"	67937504	5.00 lbs.
3/8"	67937505	7.50 lbs.

15-1/2" between hold centers. All holes are 13/16" in diameter.

Body Side Bearing - Tapered (1-1/4" to 3/8")



Total Length	Hole Center	Stock Part No.	Weight
18"	15-1/2"	58327390	17.00 lbs.
15-1/2"	13"	58327600	14.10 lbs.

Manway Cover Bolt



Manway Cover Bolts	Stock Part No.	Weight
Hinge Bolt	3V900902	2.00 lbs.
Seal Bolt w/Nut & Ferrule	6E308300	2.05 lbs.

Brake Beam Guide Wear Plate

Stock Part No.	Type	Weight
6U122500	w/centering device	3.00 lbs.
6U122501	w/o centering device	3.00 lbs.



Brake Pin

Pin Diameter	Length Under Head to Ctr. Hole	Stock Part No.	Weight
1-3/32"	1-15/16"	90010242	.80 lbs.
1-3/32"	2-1/2"	90010200	1.00 lbs.
1-3/32"	3	90010195	1.15 lbs.
1-3/32"	3-1/8"	90010244	1.15 lbs.
1-3/32"	3-3/8"	90010203	1.80 lbs.
1-3/32"	3-3/4"	90010245	1.30 lbs.
1-3/32"	4-5/8"	90010206	1.60 lbs.
1-3/32"	5-3/8"	90010196	1.80 lbs.
1-7/32"	3"	90010243	1.40 lbs.
1-11/32"	3-1/4"	90010224	1.90 lbs.



All brake pins listed have 3/8" dia. holes.

Brake Pipe Clamp - Base

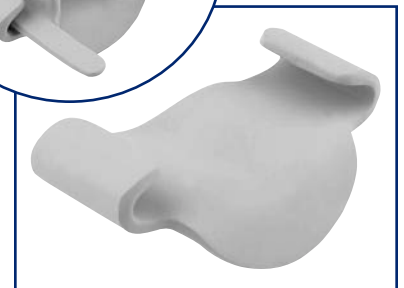
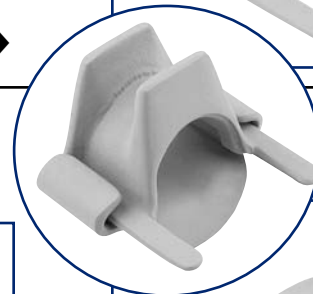
Pipe Size	Stock Part No.	Weight
3/4"	50092807	.65 lbs.
1-1/4"	50092806	1.15 lbs.



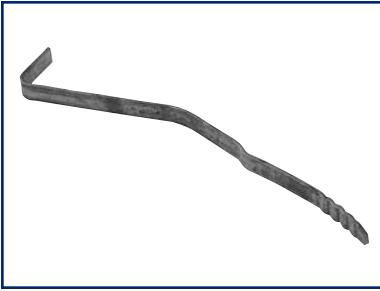
Brake Pipe Clamp Base and Wedge Assembly ▶

Brake Pipe Clamp - Wedge

Pipe Size	Stock Part No.	Weight	Finish
3/4"	6U161901	.30 lbs.	Black Zinc Phosphate Coating
1-1/4"	6U161701	.60 lbs.	Black Zinc Phosphate Coating



Brake Shoe Key



Stock Part No.	Weight
50095616	.70 lbs.

Cap, Plug and Chain Assembly



Description	Stock Part No.	Weight
Assembly: 4" Outlet Cap, 2" Plug and Chain	6E282200	15.00 lbs.
4" Outlet Cap Machined	6A201604	11.00 lbs.
2" Plug Machined	1A196201	2.25 lbs.
Chain with Ring	6B644800	1.75 lbs.
Gasket-Flat	90011408	.10 lbs.

Center Pin



Length	Diameter	Stock Part No.	Weight
15"	1-3/4"	6K227501	9.60 lbs. (tapered on both ends)
15"	2"	6A155800	13.00 lbs.

Center Plate (40-100 Ton)

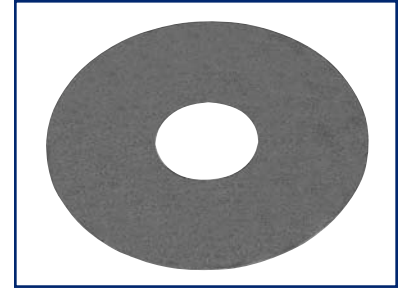


Fig. Thk.	Holes	Stock Part No.	Weight	Size
11-3/4" Dia. Bowl				
3/4"	NO	57319015	80.00 lbs.	18" x 20-3/8"
13-3/4" Dia. Bowl				
3/4"	NO	57319174	121.00 lbs.	18" x 20-3/8"
3/4"	12	57319017	121.00 lbs.	18" x 20-3/8"
1-1/4"	NO	57319121	172.00 lbs.	18" x 20-3/8"
15-7/8" Dia. Bowl				
3/4"	12	57319024	121.00 lbs.	20-3/8" x 21"
Low Profile	NO	6K857800	204.00 lbs.	14-1/4" x 14-1/4"

Center Plate Bowl Liner - Horizontal

O.D.	Thk.	Stock Part No.	Weight	Material
11-1/2"	1/8"	50094124	3.85 lbs.	AISI 1040-1050
11-1/2"	1/4"	50094235	5.65 lbs.	AISI 1040-1050
13-1/2"	1/4"	50094236	9.10 lbs.	AISI 1040-1050
13-1/2"	1/8"	50094237	4.50 lbs.	AISI 1040-1050
11-1/2"	3/16"	50094238	5.00 lbs.	AISI 1040-1050
13-1/2"	3/16"	50094239	6.85 lbs.	AISI 1040-1050

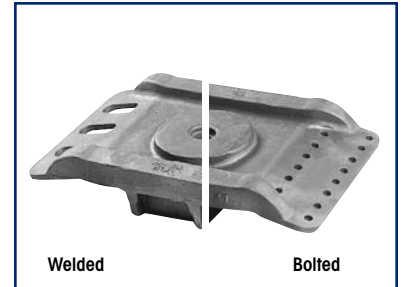
3-5/8" ID



Center Plate With Support - Bolted & Welded

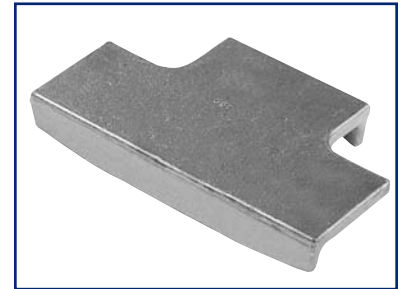
Stock Part No.	Weight	Style
57319227	666.00 lbs.	Welded (slots)
57319228	739.00 lbs.	Bolted

Bolted & Welded Application Shown



Coupler Carrier Wear Plate

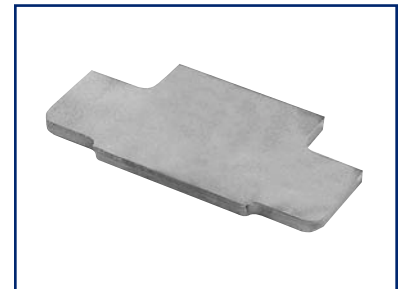
Nom. Thk.	Stock Part No.	Weight	Material
1/2"	50094503	9.60 lbs.	AISI C1050 Q&T
1/2"	50092284	8.30 lbs.	ASTM A128 Manganese



Coupler Carrier Wear Plate - Flat

Nom. Thk.	Stock Part No.	Weight	Material
1/2"	50094763	6.10 lbs.	Carbon Steel A514 Type B
3/8"	50094764	4.60 lbs.	Carbon Steel A514 Type B
1/4"	50094765	2.90 lbs.	Carbon Steel A514 Type B

Provides a simplified method of adjusting coupler height. Applied by welding.



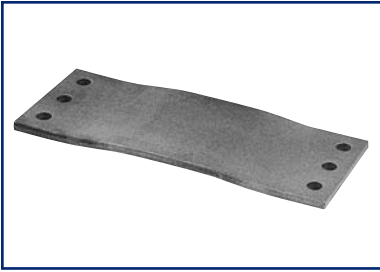
Defect Card Holder

Stock Part No.	Weight
6C863500	2.60 lbs.

Defect Cards can be inserted and removed easily from either side of holder. The holder may be riveted, bolted or welded to car.



Draft Gear Carrier



Stock Part No.	Weight
68049000	28.05 lbs.

The carrier is 8" wide x 20-3/8" long and has six (6) 15/16" dia. holes.

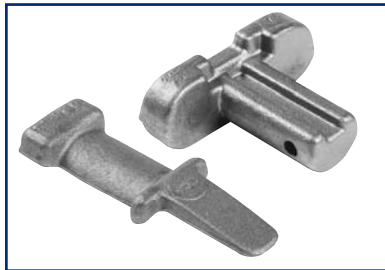
Draft Key



Dim. Under Head To Center of Hole	Stock Part No.		Weight
	Heat Treated	Non-Heat Treated	
16-1/2"	6H687803	6D849549	48.00 lbs.
17"	6H687806	6D849540	48.00 lbs.
17-1/2"	6H687801	6D849551	50.00 lbs.
17-3/4"	6H687804	6D849548	51.00 lbs.
18"	6H687800	6D849532	52.00 lbs.
18-3/4"	6H687805	6D849547	52.00 lbs.
19"	6H687807	6D849546	55.00 lbs.
19-3/4"	6H687808	6D849550	57.00 lbs.

All keys listed below have 1-9/16" holes located 1-1/2" from the center of hole to the end of key.

Draft Key Retainer & Keeper (Lock)



Description	Stock Part No.	Weight
Keeper (Lock)	50094157	.40 lbs.
Retainer	57308014	2.60 lbs.

Draft Key Retainer & Lock



Description	Stock Part No.	Weight
Lock	57308008	.95 lbs.
Retainer	57308013	3.20 lbs.

Draft Key Retainer Washer



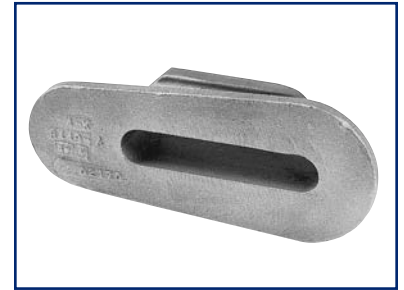
Type	Stock Part No.	Weight
AAR Std.	6A644300	2.20 lbs.
Modified	90004397	3.15 lbs.

We offer 2 styles-AAR standard and one modified for use with larger than normal draft key opening in center sill.

Draft Key Slot - Reinforcement

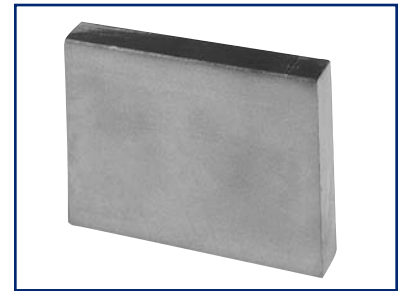
Stock Part No.	Weight
50092573	29.00 lbs.

Use to repair or reinforce centersill keyway.



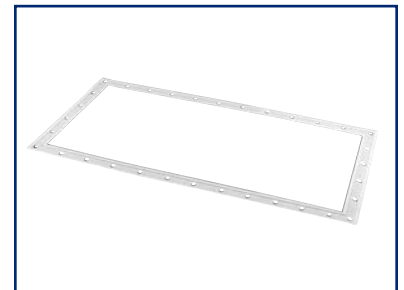
Follower Block - Y44

Stock Part No.	Weight
58307120	71.50 lbs.



Gasket, Mounting Frame

Part	Stock Part No.	Weight	Note
5135	91000091	4.90 lbs.	
5135AM	91000120	4.90 lbs.	
5235	3U280800	4.90 lbs.	Cars built before 1996
5235	3V416800	5.45 lbs.	Cars built after 1996
5236	3V416800	5.45 lbs.	



Hand Brake Release Spring

Stock Part No.	Weight
57306022	1.60 lbs.

Spring is used to prevent the hand brake chain from coming in contact with the axle.



Hand Brake Wheel (16" Dia.)

Stock Part No.	Weight
50097446	9.00 lbs.



Handholds—Adjustable

(Different styles may be obtained by mixing the different shapes of handholds and feet.
The most common styles are shown.)

Handhold-Adjustable - Single Offset



Description	Stock Part No.	Weight	A		B	C	D
			Min	Max			
Kit	2U188006	4.35 lbs.					
Handhold	3U608700		16"	25"	2-1/2"	–	11/16"
Grabfoot	6K887300		–	–	–	2-1/2"	11/16"
Pin	90010517						
Kit	6U188001	4.50 lbs.					
Handhold	6K887500		16"	25"	2-1/2"	–	11/16"
Grabfoot	6K887300		–	–	–	2-1/2"	11/16"
Pin	90010517						

Handhold-Adjustable - Straight Offset



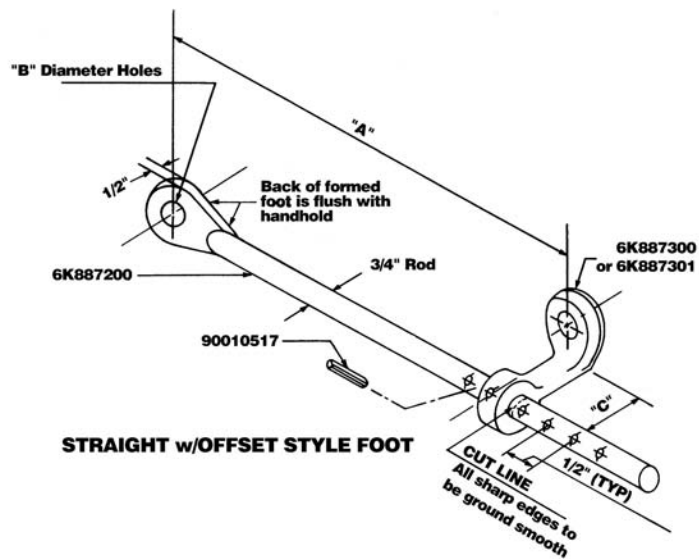
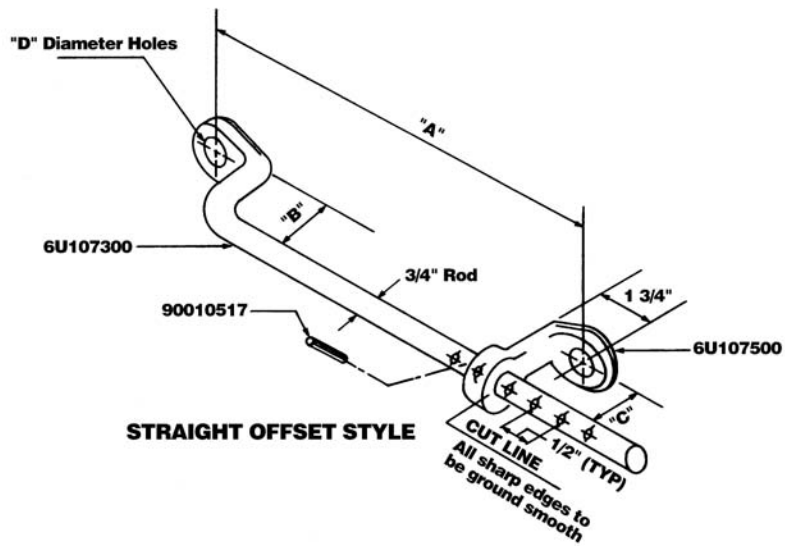
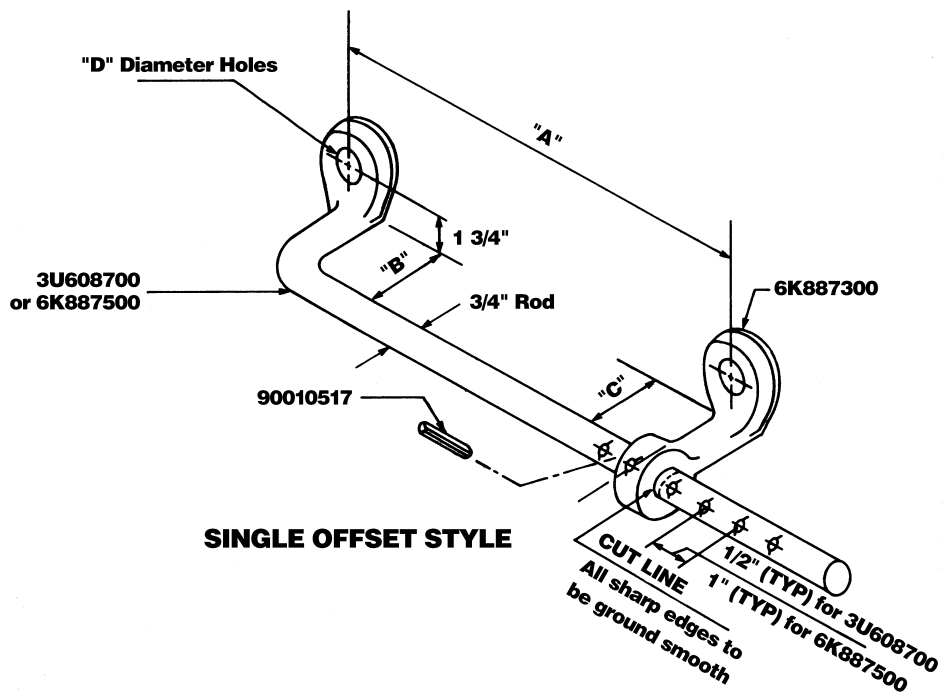
Description	Stock Part No.	Weight	A		B	C	D
			Min	Max			
Kit	6U188003	4.10 lbs.					
Handhold	6U107300		16-1/8"	23-5/8"	2-1/2"	–	11/16"
Grabfoot	6U107500		–	–	–	2-1/2"	11/16"
Pin	90010517						

Description	Stock Part No.	Weight	A		B	C	D
			Min	Max			
Kit	6U188002	4.10 lbs.					
Handhold	6U107301		23-1/8"	44-5/8"	3"	–	11/16"
Grabfoot	6U107501		–	–	–	3"	11/16"
Pin	90010517						

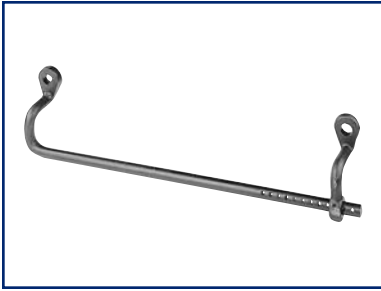
Handhold-Adjustable - Straight w/Offset Style Foot



Description	Stock Part No.	Weight	A		B	C
			Min	Max		
Kit	6U188004	3.65 lbs.				
Handhold	6K887200		16-1/2"	22"	11/16"	–
Grabfoot	6K887300		–	–	11/16"	2-1/2"
Pin	90010517					
Kit	6U188005	3.70 lbs.				
Handhold	6K887200		16-1/2"	22"	11/16"	–
Grabfoot	6K887301		–	–	11/16"	3"
Pin	90010517					



Handhold - Adjustable - Double Offset Style



Description	Stock Part No.	Weight	A		B	C	D	E
			Min	Max				
Kit	2U188007	4.50 lbs.						
Handhold	3U608600		16-1/2"	22"	3-5/16"	2-1/2"	-	11/16"
Grabfoot	3U608800		-	-	3-5/16"	-	2-1/2"	11/16"
Pin	90010517							
Kit	6U188000	4.80 lbs.						
Handhold	6K887600		16-1/2"	22"	4"	3"	-	11/16"
Grabfoot	6K887400		-	-	4"	-	3"	11/16"
Pin	90010517							

Handhold - Double Bend

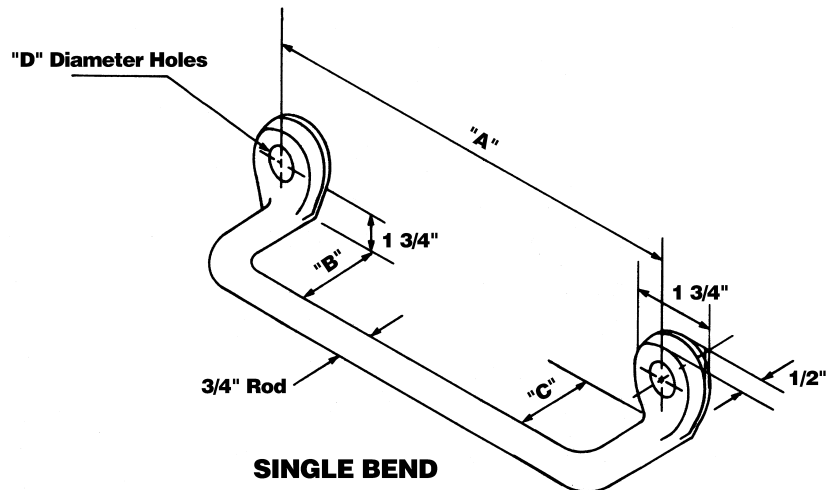
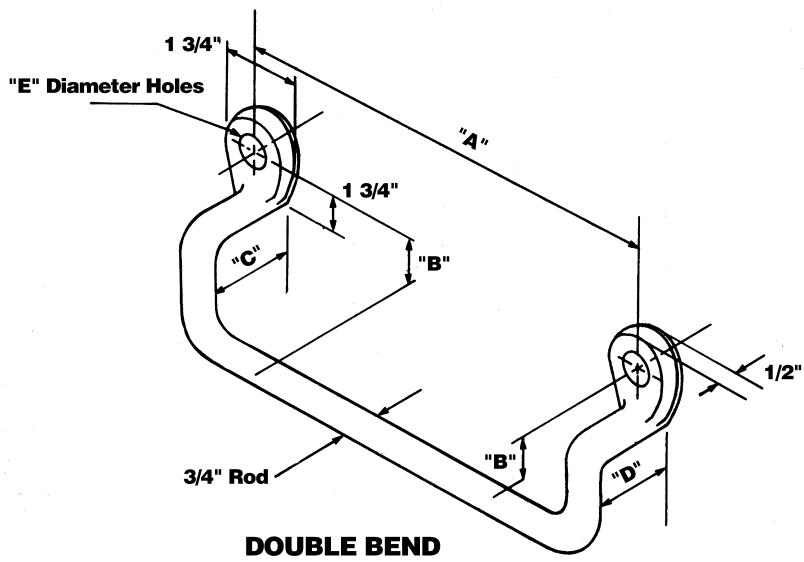
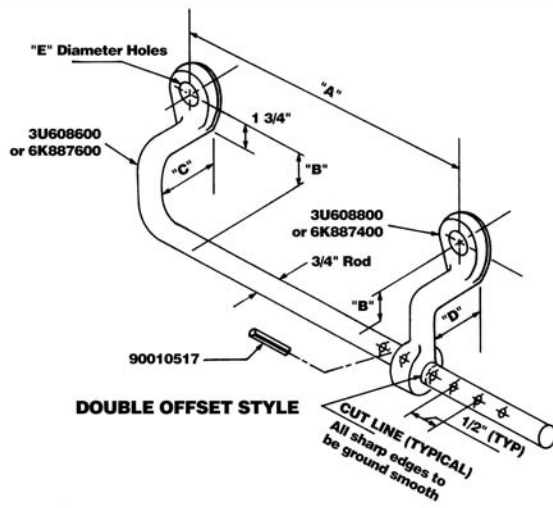


Stock Part No.	Weight	A	B	C	D	E
6D650719	4.10 lbs.	17"	4-1/8"	2-3/4"	2-3/4"	11/16"
6D650727	4.20 lbs.	18"	3-5/16"	2-1/2"	2-1/2"	11/16"
6J770717	4.15 lbs.	18"	4"	3"	3"	11/16"
6D650742	4.40 lbs.	18-1/2"	3-5/16"	3"	3"	11/16"
6F960021	4.25 lbs.	18-1/2"	3-1/2"	2-1/2"	2-1/2"	11/16"
6D650749	3.85 lbs.	19"	3-5/16"	2-1/2"	2-1/2"	11/16"
6D650750	4.80 lbs.	19"	3-5/16"	3"	3"	11/16"
6D650753	4.35 lbs.	19"	3-1/2"	2-1/2"	2-1/2"	11/16"
6D650801	4.10 lbs.	19-1/2"	3-3/8"	2-1/2"	2-1/2"	11/16"
6D650807	4.15 lbs.	20"	3-1/4"	2-1/2"	2-1/2"	11/16"
6J770718	4.70 lbs.	20"	4"	3"	3"	11/16"
6J770707	4.45 lbs.	21"	3-1/4"	2-1/2"	2-1/2"	11/16"
6J770719	4.80 lbs.	21"	4"	3"	3"	11/16"
6D650828	4.80 lbs.	22"	3-15/16"	3"	3"	9/16"
6D650831	4.50 lbs.	22"	3-5/16"	3"	3"	9/16"
6J770708	4.50 lbs.	22"	3-3/4"	2-1/2"	2-1/2"	11/16"

Handhold - Single Bend



Stock Part No.	Weight	A	B	C	D
6D651109	3.10 lbs.	16"	2-1/2"	2-1/2"	11/16"
6D651120	3.40 lbs.	17"	2-1/2"	2-1/2"	11/16"
6D651140	3.40 lbs.	18"	2-1/2"	2-1/2"	11/16"
6D651156	3.50 lbs.	18-1/2"	2-1/2"	2-1/2"	11/16"
6D651200	3.60 lbs.	18-5/8"	2-1/2"	2-1/2"	11/16"
6D651212	3.70 lbs.	19"	2-1/2"	2-1/2"	11/16"
6D651229	3.70 lbs.	19-1/2"	2-1/2"	2-1/2"	11/16"
6D651230	3.80 lbs.	20"	2-1/2"	2-1/2"	11/16"
6D651240	3.85 lbs.	20-1/2"	2-1/2"	2-1/2"	11/16"
6D651245	4.20 lbs.	21"	2-1/2"	2-1/2"	11/16"
6D651255	4.00 lbs.	22"	2-1/2"	2-1/2"	11/16"
6D651303	4.50 lbs.	24"	2-1/2"	2-1/2"	11/16"



Handhold - Single Bend

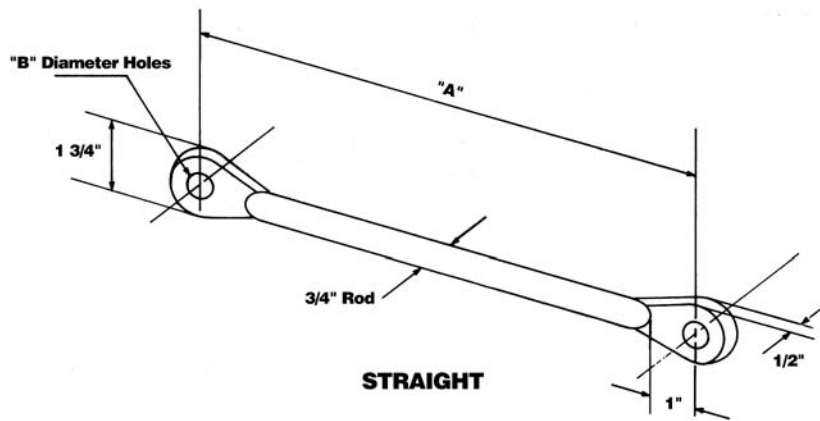
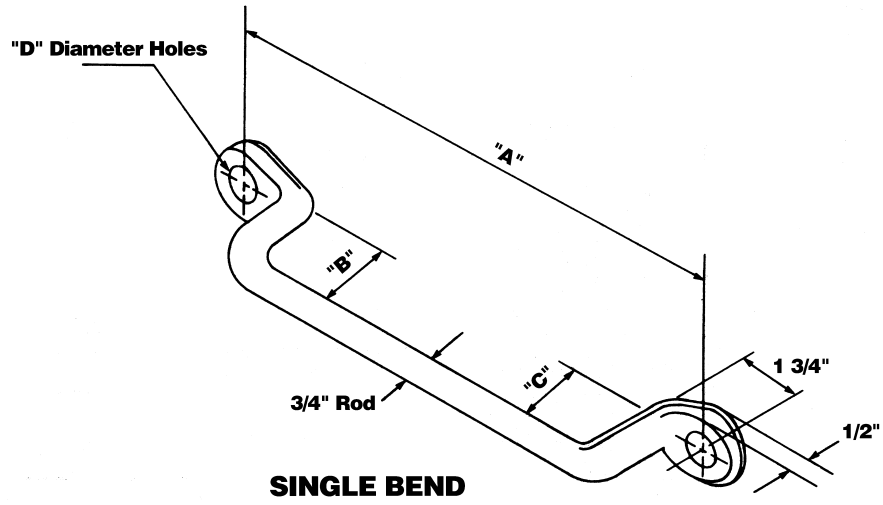


Stock Part No.	Weight	A	B	C	D
6D650649	3.45 lbs.	18"	2-1/2"	2-1/2"	11/16"
6D650513	3.60 lbs.	19-1/2"	2-1/2"	2-1/2"	11/16"
6D650515	3.70 lbs.	20"	2-1/2"	2-1/2"	11/16"
6D650626	3.80 lbs.	21"	2-1/2"	2-1/2"	11/16"
6D650525	3.95 lbs.	22"	2-1/2"	2-1/2"	11/16"
6D650534	3.85 lbs.	24"	2-1/2"	2-1/2"	11/16"
6D650652	5.05 lbs.	30"	3"	3"	11/16"
6D650558	6.30 lbs.	40"	3"	3"	11/16"

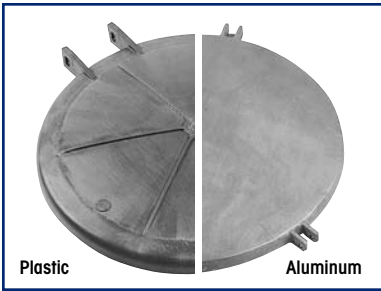
Handhold - Straight



Stock Part No.	Weight	A	D
6D652305	2.60 lbs.	16"	11/16"
6D652307	2.65 lbs.	16-1/2"	11/16"
6D652311	2.45 lbs.	17"	11/16"
6D652314	3.45 lbs.	18"	9/16"
6D652313	2.60 lbs.	18"	11/16"
6D652318	2.70 lbs.	18-1/2"	9/16"
6D652317	2.70 lbs.	18-1/2"	11/16"
6D652321	2.70 lbs.	19"	11/16"
6D652325	2.85 lbs.	20"	11/16"
6D652327	3.20 lbs.	21"	11/16"
6D652328	3.35 lbs.	22"	9/16"
6D652329	3.10 lbs.	22"	11/16"
6F960236	4.95 lbs.	35"	11/16"
6D652352	5.10 lbs.	36"	11/16"
6F960213	5.90 lbs.	42-1/2"	11/16"
6D652358	6.10 lbs.	44"	11/16"
6D652404	6.60 lbs.	48"	11/16"
6D652438	6.75 lbs.	49-1/2"	11/16"
6F960207	7.45 lbs.	55"	11/16"



Hatch Cover, 20" Plastic and Aluminum



Description	Stock Part No.	Weight
Plastic	50091438	7.40 lbs.
Aluminum	6E181900	15.20 lbs.

Hatch Cover, 20" Vented



Stock Part No.	Weight
4V073701	12.00 lbs.

Hatch Cover, 30" Steel



Stock Part No.	Weight
6E155600	55.00 lbs.

Lug, Front Draft



Stock Part No.	Weight
3E091602	34.00 lbs.

This front draft lug is used in welded type striker assembly.

Lug, Rear Draft



Stock Part No.	Weight
50099268	37.75 lbs.

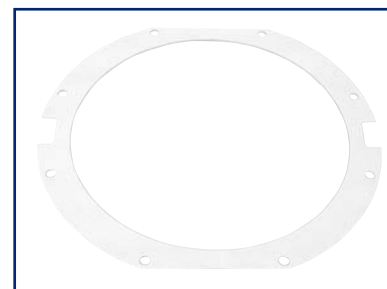
Membrane

Part	Stock Part No.	Weight
5019	51000233	13.00 lbs.



Membrane, Bottom Adapter Gasket

Part	Stock Part No.	Weight
5015	91001373	15.10 lbs.



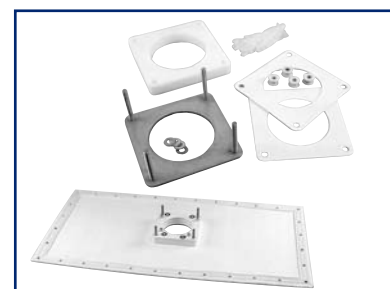
Membrane, Pressureaide, 15PSI

Stock Part No.	Weight
50092502	12.00 lbs.



Membrane Adapter Kit

Part	Weight
5015	38.90 lbs.
5019	38.65 lbs.

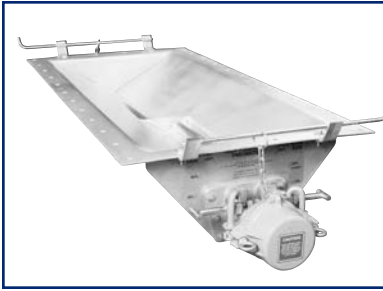


Outlet, Hopper Car (5135AM)

Part	Stock Part No.	Weight
5135AM Fits Pullman style mounting frame.	5V034200	186.00 lbs.



Outlet, Hopper Car (5235)



Part	Stock Part No.	Weight
5235	6J910202	189.00 lbs.

Outlet, Hopper Car (5236)



Part	Stock Part No.	Adapter	Weight
5236	5U364004	Plastic	181.00 lbs.
5236A	5U364005	Aluminum	189.00 lbs.

Outlet Cap



Part	Aluminum	Weight	Plastic	Weight
5135	50094101	4.45 lbs.	50092272	1.55 lbs.
5135AM	50094101	4.45 lbs.	50092272	1.55 lbs.
5235	50094101	4.45 lbs.	50092272	1.55 lbs.
5236	50094101	4.45 lbs.	50092272	1.55 lbs.

Placard Holder



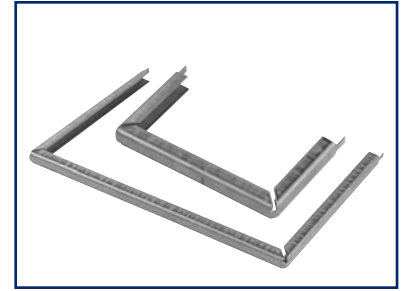
Stock Part No.	Weight
50092519	3.25 lbs.

This ACF tank car placard holder has an adjustable mounting slot and a push slot for quick card removal.

Placard Board & Route Card Board Frame

Description	Stock Part No.	Weight
Placard Board	50096416	4.50 lbs.
Route Card Board	50096417	1.65 lbs.

Corner bends are made at application and tabs for retaining board are bent after inserting same.



Roller Bearing Retainer Frame Key (Narrow Pedestal)

Stock Part No.	Weight
57321010	2.30 lbs.



Roping Staples (1-1/4" Dia. Bar)

Stock Part No.	Weight
6J327401	4.80 lbs.
50093393	4.90 lbs.



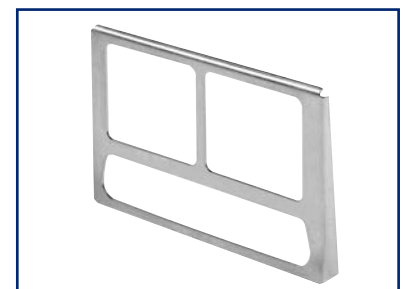
Route Card Holder (Mechanically Fastened)

Stock Part No.	Weight	Material
4U558101	.40 lbs.	Aluminum

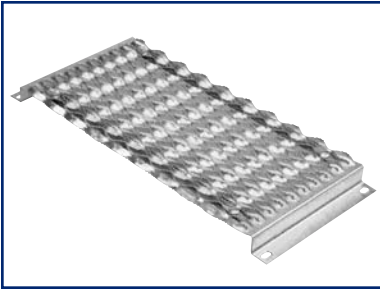


Route Card Holder (Welded Application)

Stock Part No.	Weight	Material
50094480	.60 lbs.	Steel (zinc plated)
2G876802	.60 lbs.	Steel (non-plated)



Running Board



Description	Stock Part No.	Weight
End Platform 8" WD x 60.75" LG	4K389004	24.70 lbs.
Crossover Assy 47.25"	4K316902	31.90 lbs.
Lateral Assy 11.25" LG	3K316710	8.00 lbs.
Center Assy 127.125" LG	4K316804	80.90 lbs.
Intermediate Assy 88.875" LG	4K379928	55.00 lbs.
End Assy 127.125" LG	4K317103	80.90 lbs.
Intermediate Assy 141.75" LG	4K379920	88.00 lbs.
Intermediate Assy 132.75" LG	4K379921	83.00 lbs.
Intermediate Assy 155.25" LG	4K379919	92.00 lbs.
Intermediate Assy 74.25" LG	4K379929	56.00 lbs.
Intermediate Assy 95.625" LG	4K379930	59.00 lbs.
End Assy - Post Galv 127.125" LG	4K317103	80.90 lbs.

Rupture Disc Assembly



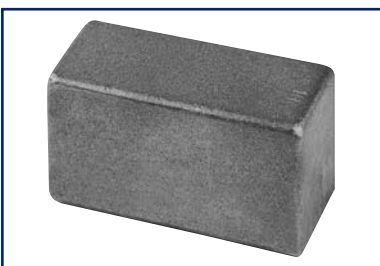
Description	Stock Part No.	Weight
Rupture Disc 5 PSI	2N647100	12.00 lbs.
Rupture Disc 15 PSI	50093602	7.00 lbs.

Rupture Disc, Replacement



Description	Stock Part No.	Weight
Rupture Disc 5 PSI	91000019	1.10 lbs.
Rupture Disc 15 PSI	50093596	.65 lbs.

Side Bearing Shoe



Stock Part No.	Weight
50099566	25.00 lbs.

Casting is to ASTM A-48 Class 30. Overall size 4" x 4-3/4" x 9.

Striker Assembly



Stock Part No.	Weight
4K366002	141.00 lbs.

Assembly can also be furnished with variable length stub sills to splice into existing center sills.

U-Bolt, Angle Cock

Stock Part No.	Weight
90034281	.75 lbs.

Supplied with rolled threads for added strength, accuracy and uniformity as compared to cut threads.



U-Bolt, Pipe Clamp

Pipe Size	Thread	Stock Part No.	Weight
3/4"	1/2-13 UNC-2A	90034282	.25 lbs.
1-1/4"	1/2-13 UNC-2A	90034284	.30 lbs.
1-1/4" - 1-1/2"	5/8-11 UNC-2A	90034283	.50 lbs.

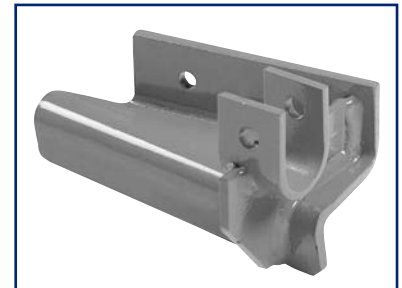
Supplied with rolled threads for added strength, accuracy and uniformity as compared to cut threads.



Uncoupling Rod Bracket Assembly

Stock Part No.	Weight
6J944200	9.10 lbs.

Holes for mounting to car are 9/16" dia.



Vibrator Bracket

Stock Part No.	Weight
50092609	36.00 lbs.



Valve, 1" Angle (1301)

Part	Stock Part No.	Weight
1301	6F865000	24.00 lbs.
1301	6F865004	24.00 lbs.
1301C	6B974804	24.00 lbs.
1301T	6B974806	24.00 lbs.
1302	6B974808	24.00 lbs.

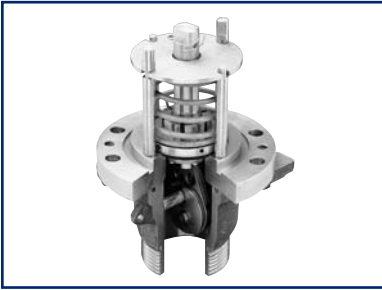


Valve, 1" Angle (EKK Eagle America)



Stock Part No.	Weight
51000306	20.80 lbs.

Valve, Bottom Outlet (1585)



Part	Stock Part No.
1585	5U325300
S1585*	5U325301
New1585□	5U325307

*Stainless steel except for body and cap
 □ This valve is carbon steel with stainless steel trim

Valve, Bottom Outlet (2020)



Part	Stock Part No.	Weight
2020	6U157700	72.00 lbs.
S2020-01	6U157701	72.00 lbs.

Valve, Bottom Outlet (2040)



Part	Stock Part No.	Weight
2040	5U363106	93.70 lbs.
S2040-01	5U363107	90.40 lbs.
S2040-02-C	5U363108	90.40 lbs.

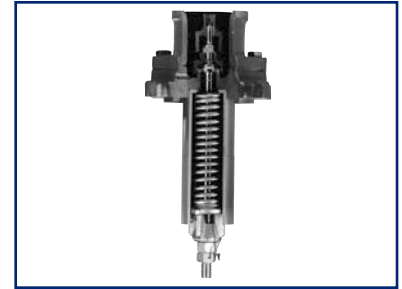
Valve, Excess Flow



Part	Stock Part No.	Weight
1418	65440500	3.00 lbs.
1419	6C187300	2.25 lbs.
1420	6C187301	3.00 lbs.

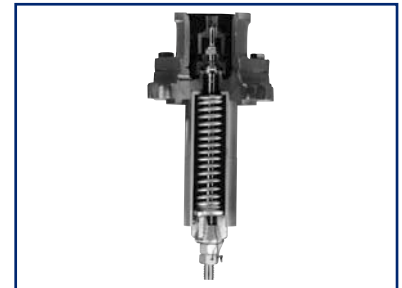
Valve, Safety Relief (1108)

Part	Stock Part No.	Weight
1108	6K799100	83.70 lbs.
S1118	6K799101	83.70 lbs.



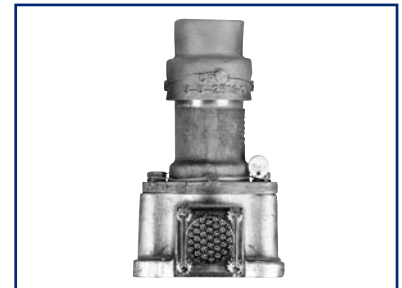
Valve, Safety Relief (HP 1108) - High Pressure

Part	Stock Part No.	Weight
HP1108	4V207200	25.50 lbs.
SHP1108	4V207300	25.50 lbs.



Valve Safety Relief (1128)

Part	Description	Stock Part No.	Weight
1128	w/o bee screw	6U170600	83.00 lbs.
S1128	w/o bee screw	6U170601	83.00 lbs.
S1128	with bee screw	5U170602	83.00 lbs.



Valve Safety Relief (1148)

Part	Stock Part No.	Weight
1148	4U472200	82.00 lbs.
S1148	4U472201	82.00 lbs.



Valve, Vacuum Relief

Part	Stock Part No.	Weight
1624 w/BUNA	6F421605	2.85 lbs.
S1624 w/BUNA	4F421606	2.90 lbs.





SPECIAL PRODUCTS GROUP
AMERICAN RAILCAR INDUSTRIES

100 Clark Street, St. Charles, Missouri 63301
Phone: (636) 940-6020 • Fax: (636) 940-6100

Email: specialproducts@americanrailcar.com
Website: www.americanrailcar.com