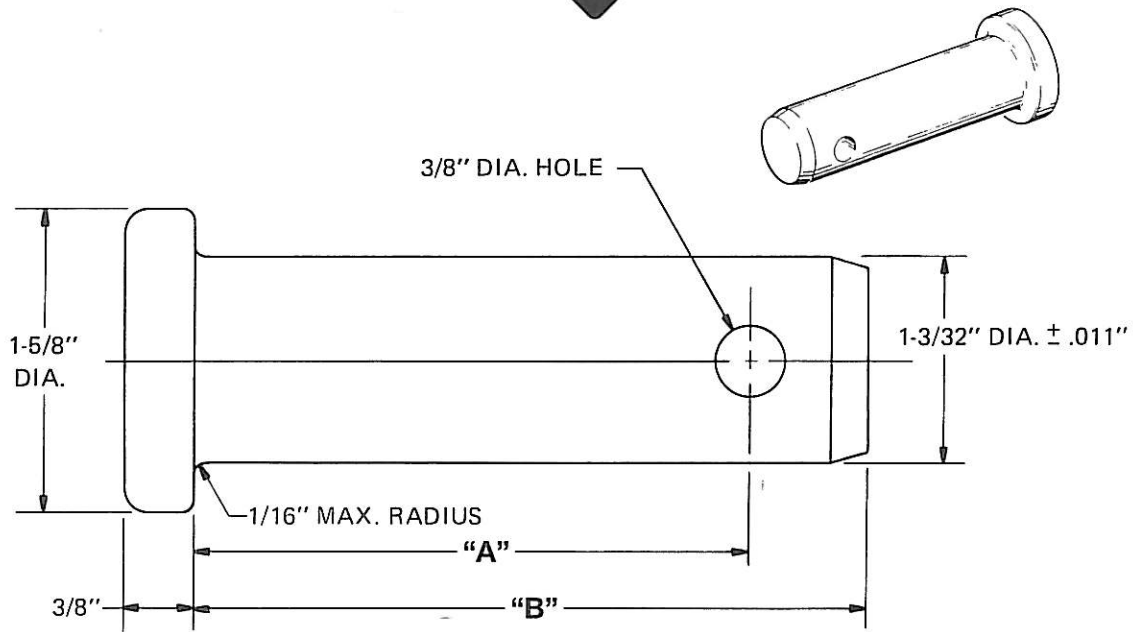


"A"	"B"	"C"	DRAWING	WT. (LBS.)
2-3/4"	3-3/8"	3/8"	2-J-7900-9	1.250
3-1/2"	4"	3/8"	2-J-7900-8	1.500
4"	4-5/8"	3/8"	2-J-7900-7	1.125
5"	5-5/8"	7/16"	2-J-7900-6	1.500
5-3/16"	5-13/16"	3/8"	2-J-7900-5	1.750
6"	6-5/8"	3/8"	2-J-7900-0	2.000
6-7/32"	7-5/16"	7/16"	2-J-7900-4	2.250
7"	7-5/8"	3/8"	2-J-7900-3	2.375
8"	8-5/8"	7/16"	2-J-7900-2	3.000
8-1/2"	9"	7/16"	2-J-7900-1	3.250

BRAKE PIN	MATERIAL	WEIGHT
1" Diameter DWG. (See Table)	Steel	Varies by Size

*Variations in dimensions and configuration available to meet your requirements. Specify or furnish sketch.*

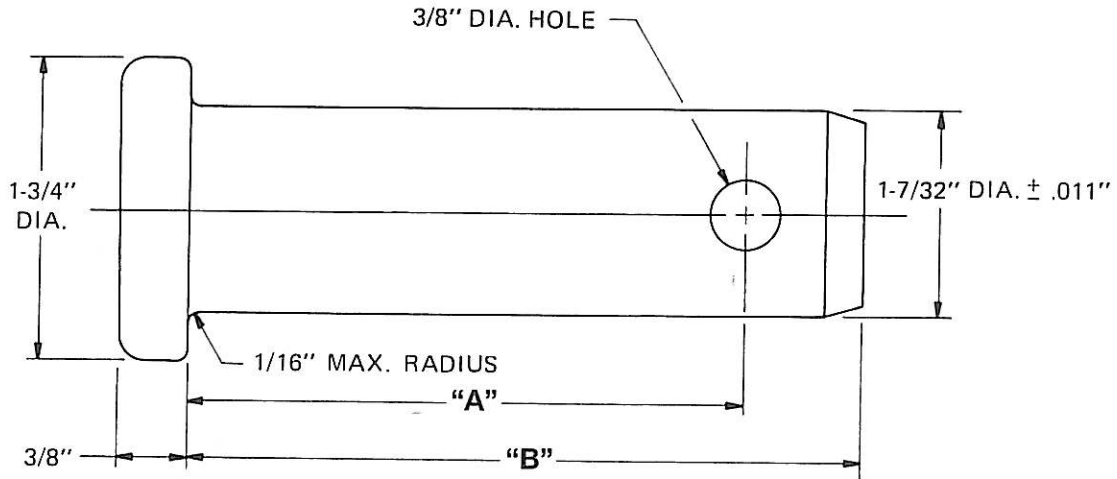
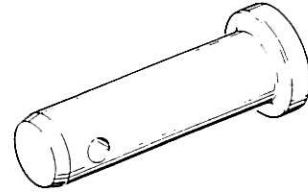


"A"	"B"	WEIGHT	STOCK PART	DRAWING
1-15/16"	2-3/8"	0.8	90010242	2-F-0106-0
2-1/8"	2-3/4"	0.9		3-E-4425-1
2-1/16"	2-1/2"	.85		1-F-1270-0
2-1/2"	3-1/8"	1.0	90010200	3-E-4425-2
2-5/8"	3-1/4"	1.1		3-E-4425-31
2-3/8"	3"	1.0		3-E-4425-27
2-3/4"	3-3/8"	1.1		3-E-4425-3
2-7/8"	3-1/2"	1.1		3-E-4425-17
3"	3-3/8"	1.0		2-F-0106-4
3"	3-5/8"	1.1	90010195	3-E-4425-4
3-1/8"	3-1/2"	1.1	90010244	2-F-0106-1
3-1/8"	3-3/4"	1.2		3-E-4425-20
3-1/4"	3-5/8"	1.1		2-F-0106-2
3-1/4"	3-7/8"	1.2		3-E-4425-16
3-3/8"	4"	1.2	90010203	3-E-4425-6
3-1/2"	3-7/8"	1.2		2-F-0106-5
3-1/2"	4-1/8"	1.3		3-E-4425-21

"A"	"B"	WEIGHT	STOCK PART	DRAWING
3-3/4"	4-1/8"	1.3	90010245	2-F-0106-3
3-7/8"	4-1/2"	1.4		3-E-4425-8
4-1/16"	4-11/16"	1.5		3-E-4425-14
4-1/4"	4-7/8"	1.6		3-E-4425-15
4-3/8"	5"	1.5		3-E-4425-26
4-5/8"	5-1/4"	1.6	90010206	3-E-4425-9
4-7/8"	5-1/2"	1.7		3-E-4425-10
5-1/8"	5-3/4"	1.8		3-E-4425-19
5-3/8"	6"	1.8	90010196	3-E-4425-11
5-11/16"	6-5/16"	1.9		3-E-4425-28
5-3/4"	6-3/8"	1.9		3-E-4425-12
6"	6-5/8"	1.9		3-E-4425-30
6-3/8"	7"	2.0	90010209	3-E-4425-13
6-1/2"	7-1/8"	2.1		3-E-4425-23
6-5/8"	7-1/4"	2.0		3-E-4425-29
7"	7-5/8"	2.3		3-E-4425-22
8"	8-5/8"	3.0		3-E-4425-24

BRAKE PIN	MATERIAL	WEIGHT
1-3/32" Diameter DWG. (See Table) Stock Part (See Table)	Steel	See Table

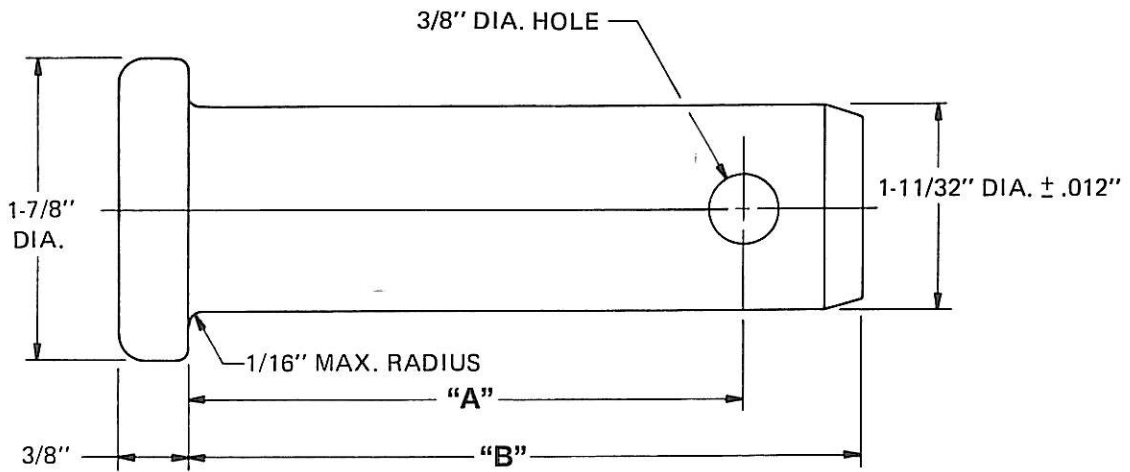
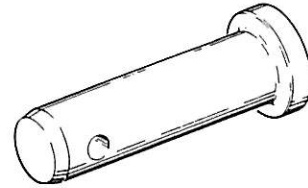
Variations in dimensions and configuration available to meet your requirements.. Specify or furnish sketch.



"A"	"B"	WEIGHT	STOCK PART	DRAWING
2-1/4"	2-7/8"	1.3		3-E-4426-6
2-1/2"	3-1/8"	1.2		3-E-4426-4
2-5/8"	3-1/4"	1.3		3-E-4426-8
3"	3-1/2"	1.4	90010243	2-F-0107-0
3"	3-5/8"	1.4		3-E-4426-0
3-1/16"	4"	1.6		2-F-0107-9
3-1/8"	3-1/2"	1.5		2-F-0107-1
3-1/4"	3-7/8"	1.5		3-E-4426-5
3-1/2"	4-1/4"	1.8		2-F-0107-5
3-3/4"	4-1/8"	1.7		2-F-0107-2
3-7/8"	4-1/2"	1.7		3-E-4426-7
4"	4-1/2"	1.7		3-E-4426-9
4-9/16"	5-1/4"	2.2		2-F-0107-8
6-1/8"	6-3/4"	2.7		2-F-0107-6
6-1/2"	7-1/8"	2.9		2-F-0107-7
7-1/2"	8-1/2"	3.2		2-F-0107-3

BRAKE PIN	MATERIAL	WEIGHT
1-7/32" Diameter DWG. (See Table) Stock Part (See Table)	Steel	See Table

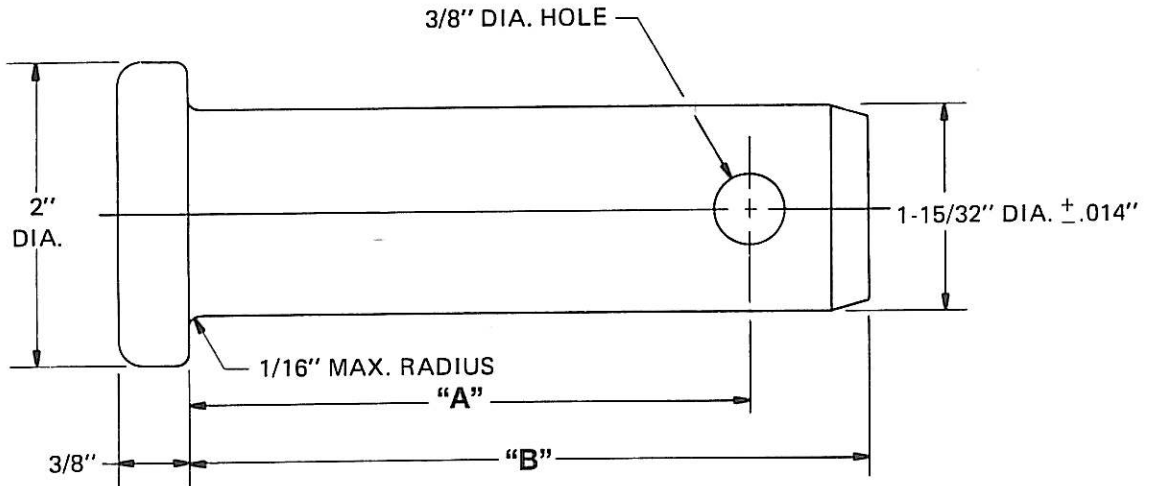
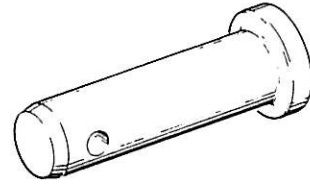
Variations in dimensions and configuration available to meet your requirements. Specify or furnish sketch.



"A"	"B"	WEIGHT	STOCK PART	DRAWING
2-5/8"	3-3/16"	1.5		3-E-4427-8
3"	3-5/8"	1.7		3-E-4427-0
3-1/4"	3-7/8"	1.9	90010244	3-E-4427-1
3-3/8"	4"	1.9		3-E-4427-6
3-1/2"	4-1/8"	2.0		3-E-4427-7
3-3/4"	4-3/8"	1.9		3-E-4427-5
4"	4-5/8"	2.0		3-E-4427-4
6-1/2"	7-1/2"	3.6		3-E-4427-2
6-7/8"	7-1/2"	3.6		3-E-4427-3

BRAKE PIN	MATERIAL	WEIGHT
1-11/32" Diameter DWG. (See Table)	Steel	See Table

Variations in dimensions and configuration available to meet your requirements. Specify or furnish sketch.



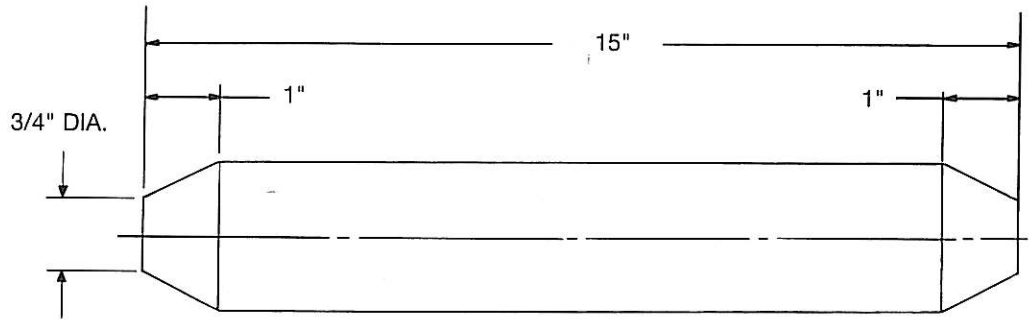
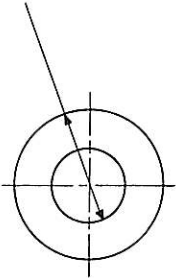
"A"	"B"	WEIGHT	DRAWING
3"	3-5/8"	2.5	3-F-3452-0
3-1/4"	3-7/8"	2.6	3-F-3452-1
3-3/4"	4-3/8"	2.8	3-F-3452-2
3-3/4"	4-7/8"	3.0	3-F-3452-3

BRAKE PIN	MATERIAL	WEIGHT
1-15/32" Diameter DWG. (See Table)	Steel	See Table

Variations in dimensions and configuration available to meet your requirements. Specify or furnish sketch.

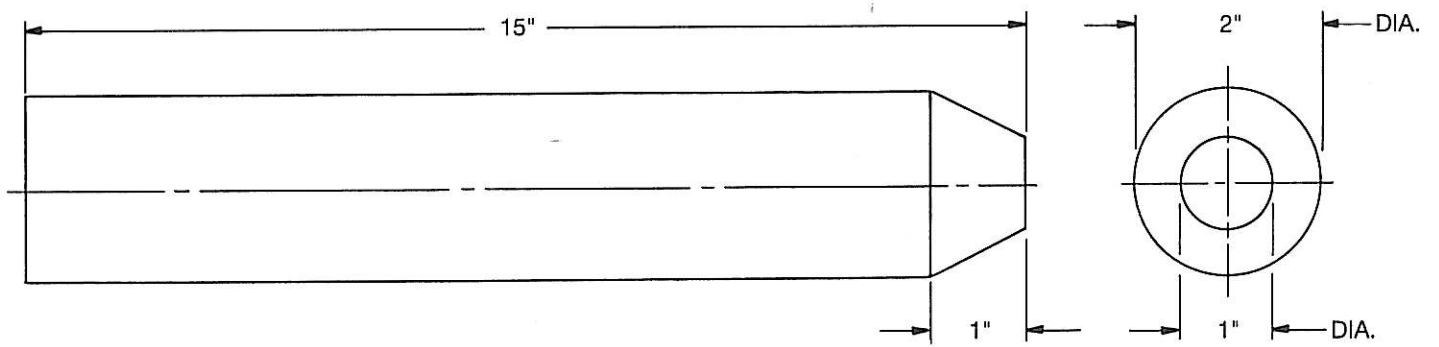


1-3/4" DIA. REF



CENTER PIN	MATERIAL	WEIGHT
1-3/4" Diameter DWG. 2-K-2275 Stock Part 6K227501	Steel	9.6 lbs.

*Variations in dimensions and configuration available to meet your requirements. Specify or furnish sketch.*



CENTER PIN	MATERIAL	WEIGHT
2" Diameter DWG. 1-A-1558 Stock Part 6A155800	Steel	13 lbs.

*Variations in dimensions and configuration available to meet your requirements. Specify or furnish sketch.*

THIS

PAGE

LEFT

INTENTIONALLY

BLANK