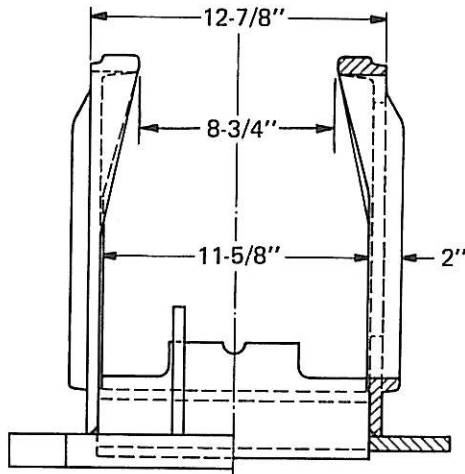
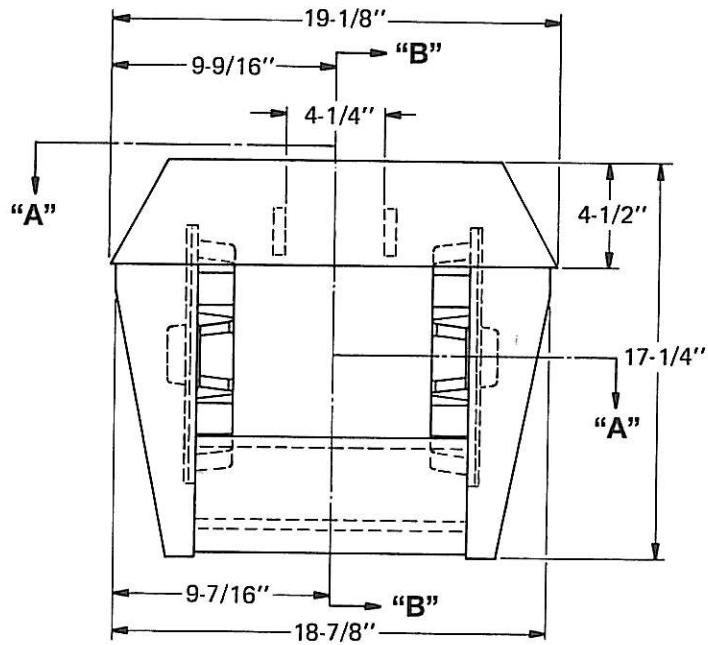


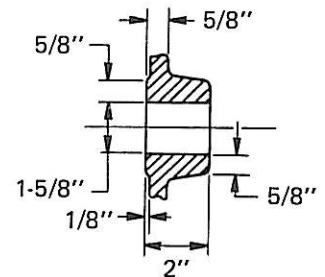
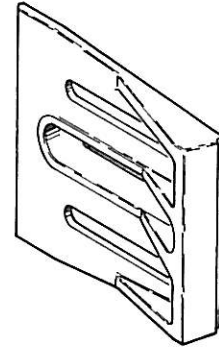
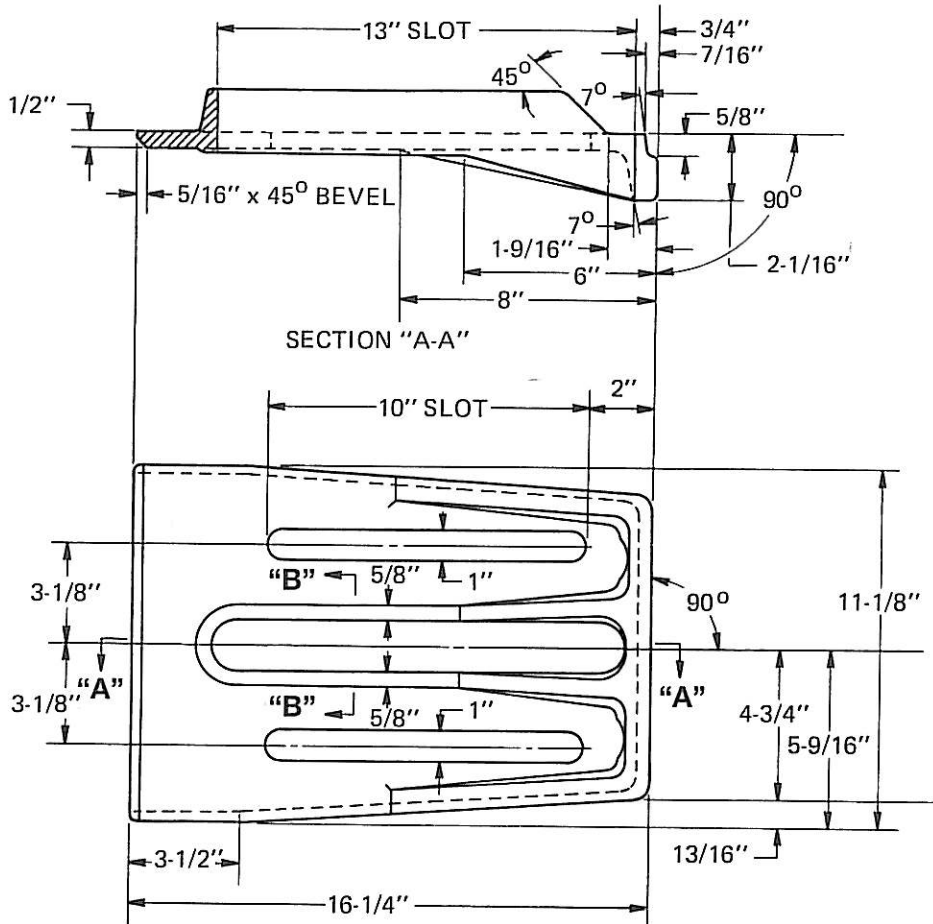
SECTION "B-B"

STRIKER ASSEMBLY	MATERIAL	WEIGHT
DWG. 4-K-3660 Stock Part 6K366000	Steel	141 lbs.



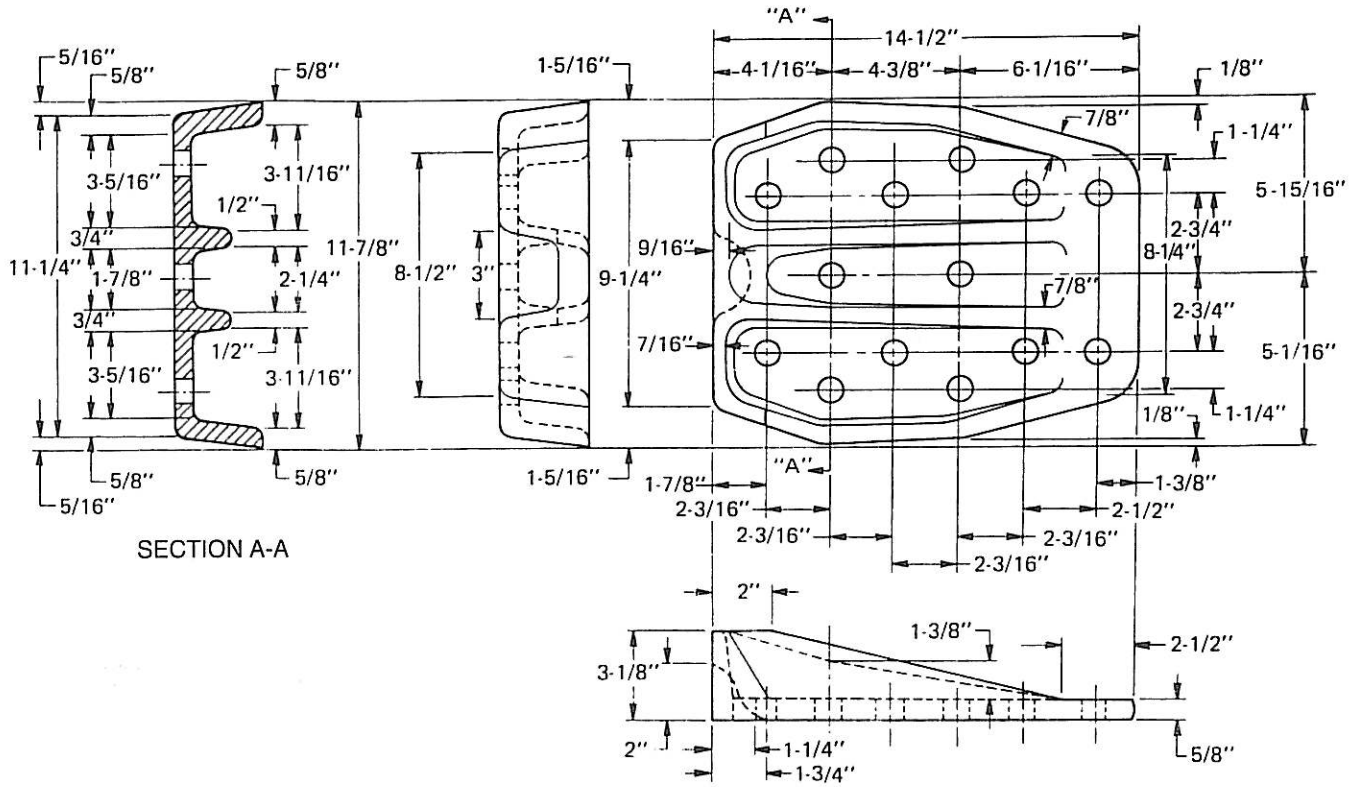
SECTION "A-A"

STRIKER ASSEMBLY	MATERIAL	WEIGHT
DWG. 4-K-3660 Stock Part 6K366000	Steel	141 lbs.



SECTION "B-B"

FRONT DRAFT LUG	MATERIAL	WEIGHT
DWG. 3-E-0916 Stock Part 50099870	AISI C-1020 Drop Forged	35 lbs.



REAR DRAFT LUG	MATERIAL	WEIGHT
DWG. 3-H-6520 Stock Part 50099268	ASTM A-27 Gr .70-40	37.75 lbs.