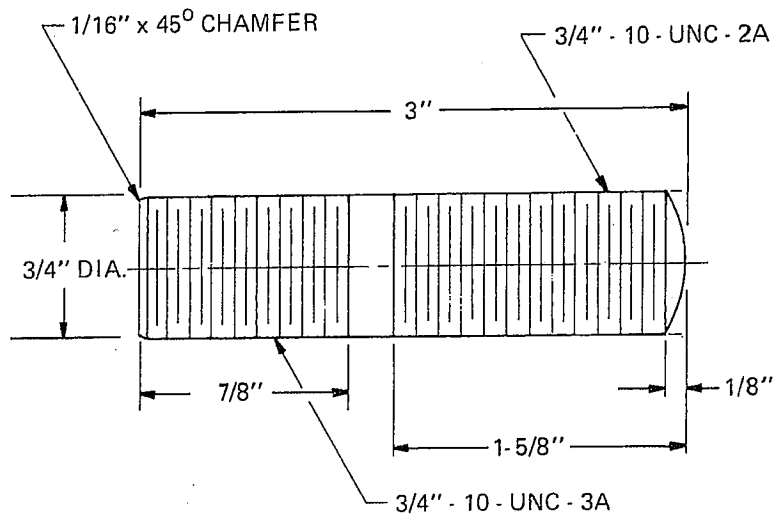


TANK CAR ACCESSORIES
DOUBLE END STUD BOLT

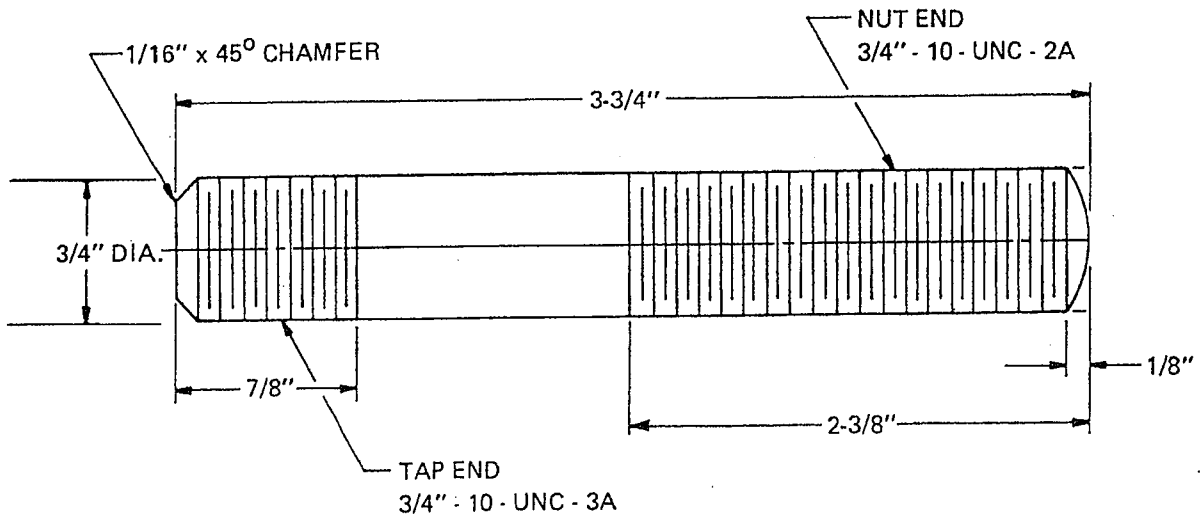


Impact requirements by Charpy V-Notch are in accordance with Paragraph 9, Appendix W of the AAR specifications for tank cars.

PART #	DRAWING #	MATERIAL	WEIGHT	SIZE
90001949	DWG. 2-C-1249	ASTM A-320 Gr. L7	0.4 lbs.	3/4" X 3"



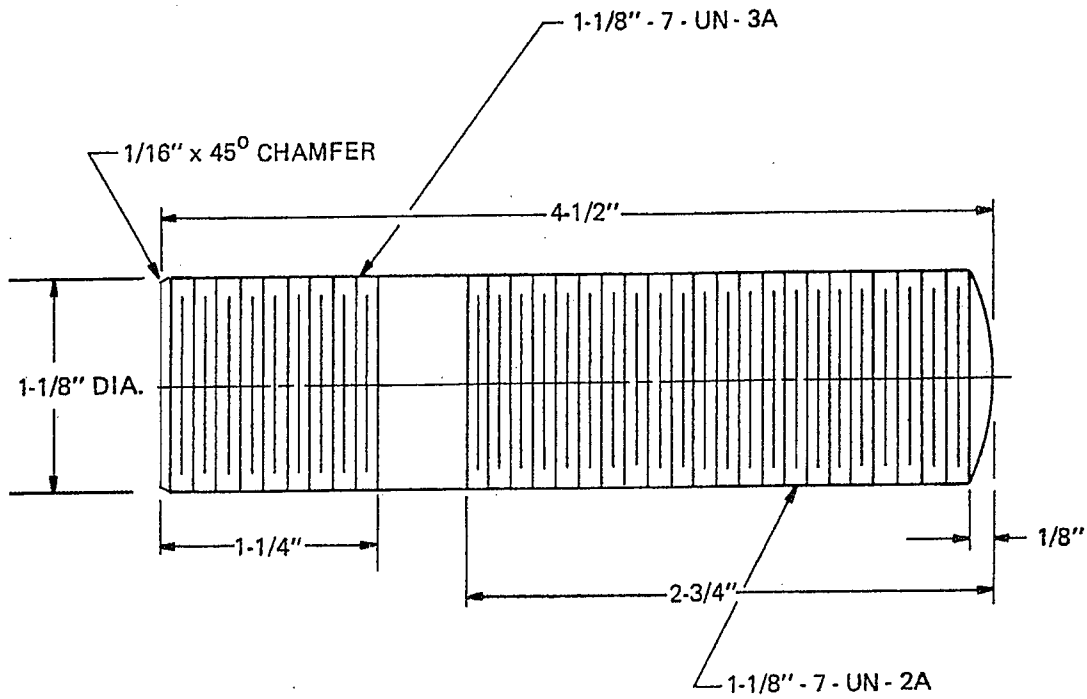
TANK CAR ACCESSORIES
DOUBLE END STUD BOLT



Impact requirements by Charpy V-Notch are in accordance with Paragraph 9, Appendix W of the AAR specifications for tank cars.

PART #	DRAWING #	MATERIAL	WEIGHT	SIZE
2C124904	11-33133	ASTM A-320 Gr. L7	0.5 lbs.	3/4" X 3-3/4"

TANK CAR ACCESSORIES
DOUBLE END STUD BOLT

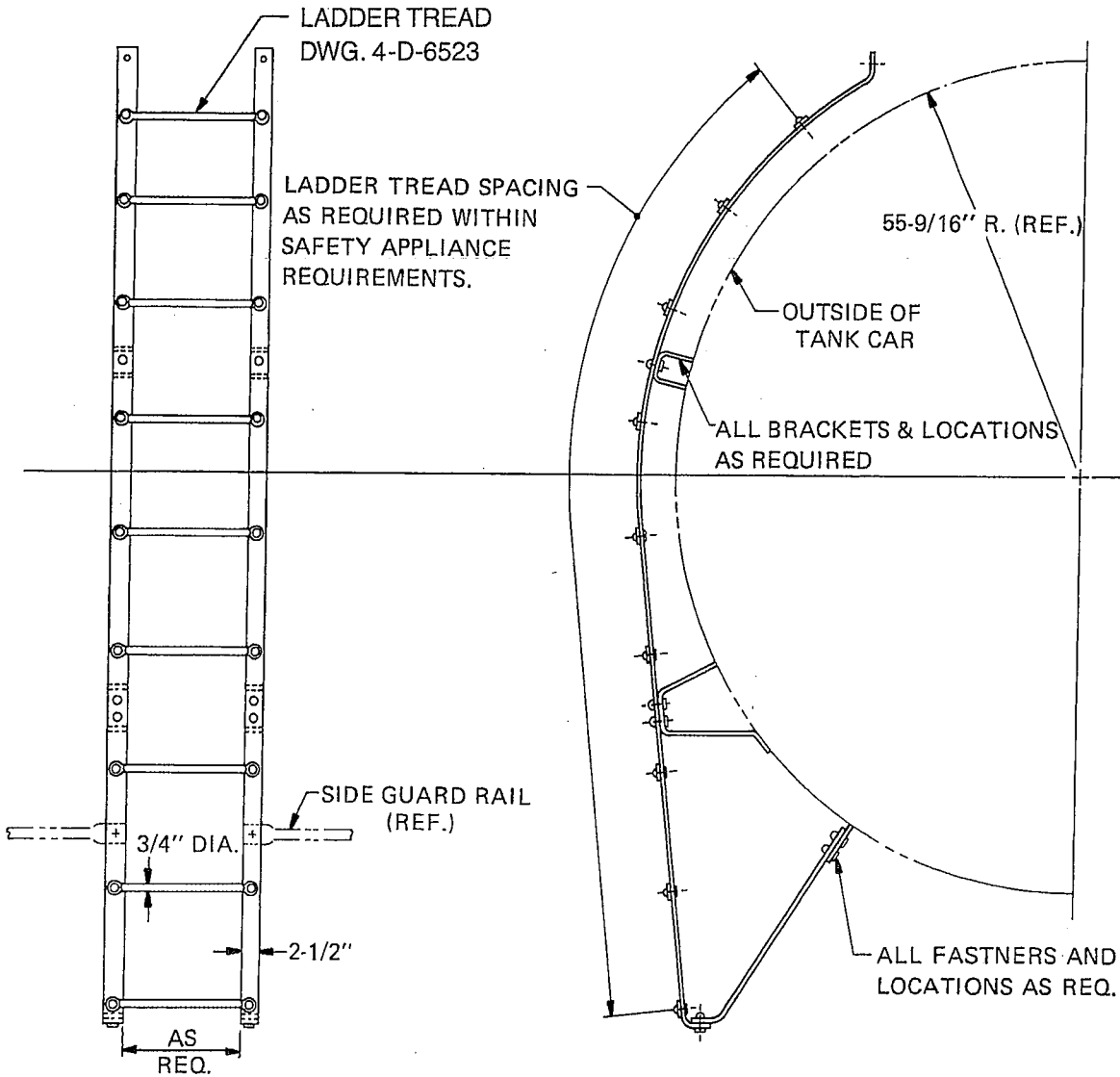


Impact requirements by Charpy V-Notch are in accordance with Paragraph 9, Appendix W of the AAR specifications for tank cars.

PART #	DRAWING #	MATERIAL	WEIGHT	SIZE
90001951	DWG. 1-C-1248	ASTM A-320 Gr. L7	1.5 lbs.	1-1/8" X 4-1/2"



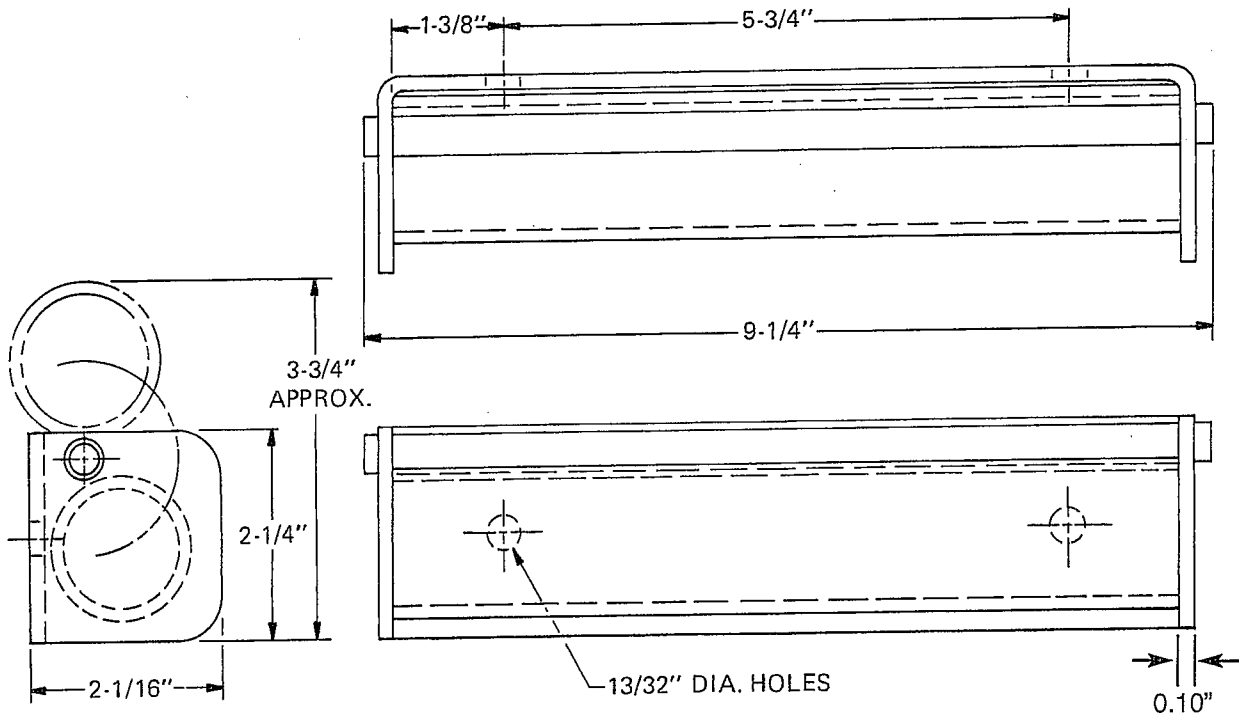
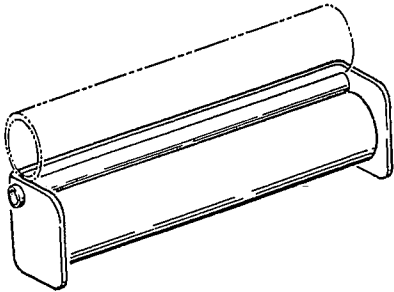
TANK CAR ACCESSORIES
LADDER ARRANGEMENT



CAUTION: When selecting parts, customer should check applicable AAR & DOT requirements. Variations in dimensions and configuration available to meet your requirements. Specify or furnish sketch.

DRAWING #	MATERIAL	WEIGHT
DWG. 4-C-4145	Steel Meets AAR specifications.	34 lbs.

TANK CAR ACCESSORIES
DEFECT CARD HOLDER

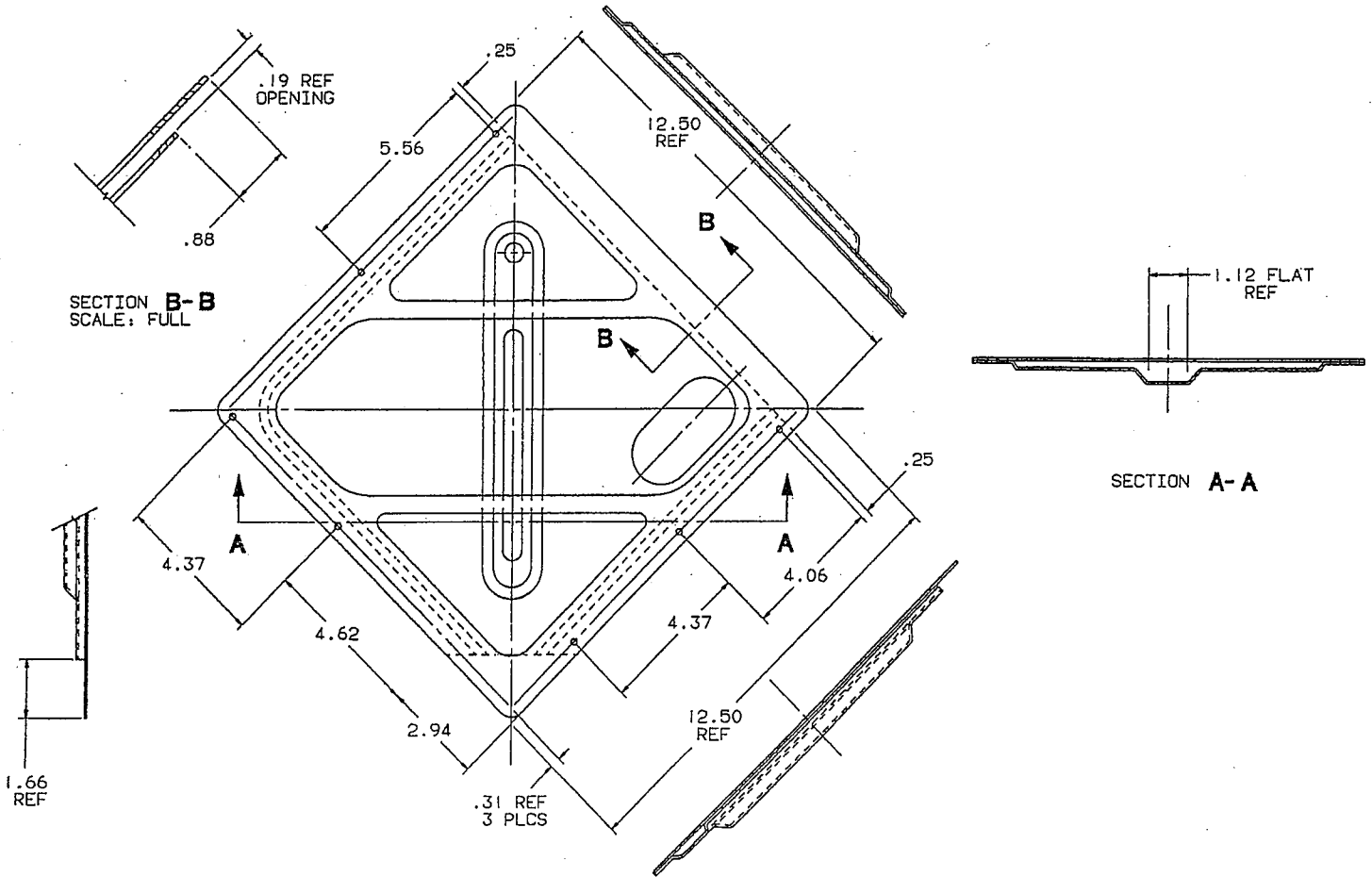


Accessible from both ends may be riveted, bolted or welded to the car. Dimensions conform to AAR recommended practice.

PART #	DRAWING #	MATERIAL	WEIGHT
6C863500	DWG. 1-C-8635	Cd. Rec. - SCH. 80 Pipe Frame - .10" Thick Hinge Pin - .3125" Ro	2.8 lbs.



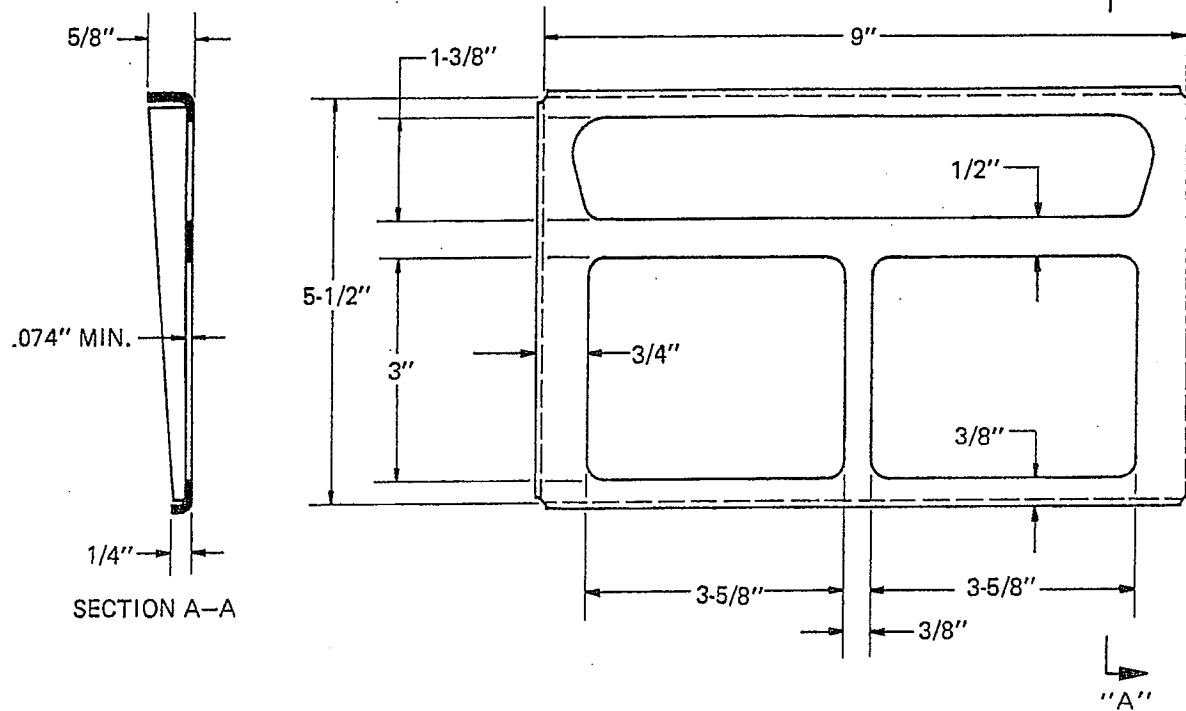
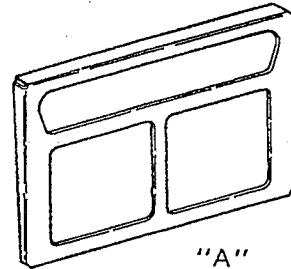
TANK CAR ACCESSORIES
PLACARD HOLDER



All dimensions in inches

PART #	DRAWING #	MATERIAL	WEIGHT
50092519	DWG. 3-K-5986	ASTM A-569 14 GA	4 lbs.

TANK CAR ACCESSORIES
ROUTE CARD HOLDER

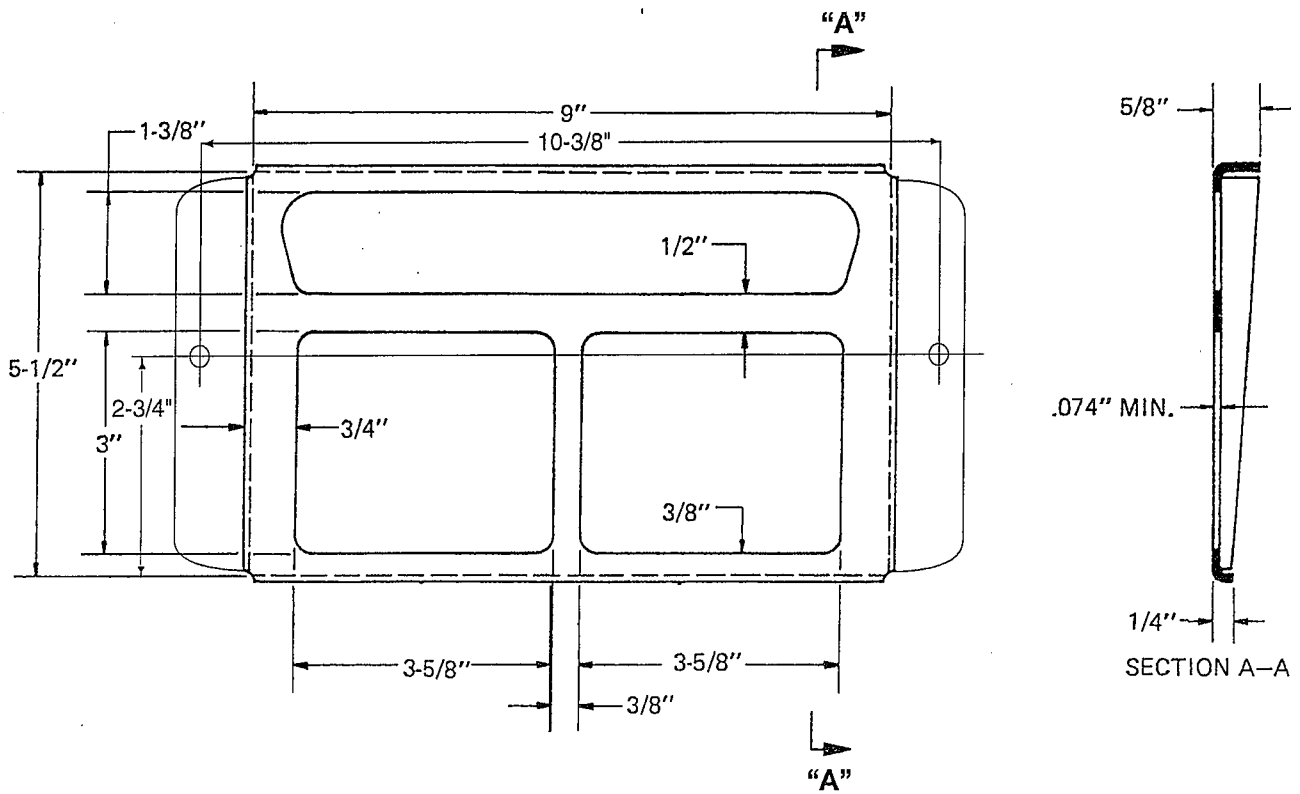


Part to be zinc plated per ASTM A-164 Type R.S. forming.

PART #	DRAWING #	MATERIAL	WEIGHT
50094480	DWG. 2-G-8768	ASTM A-570	0.86 lbs.

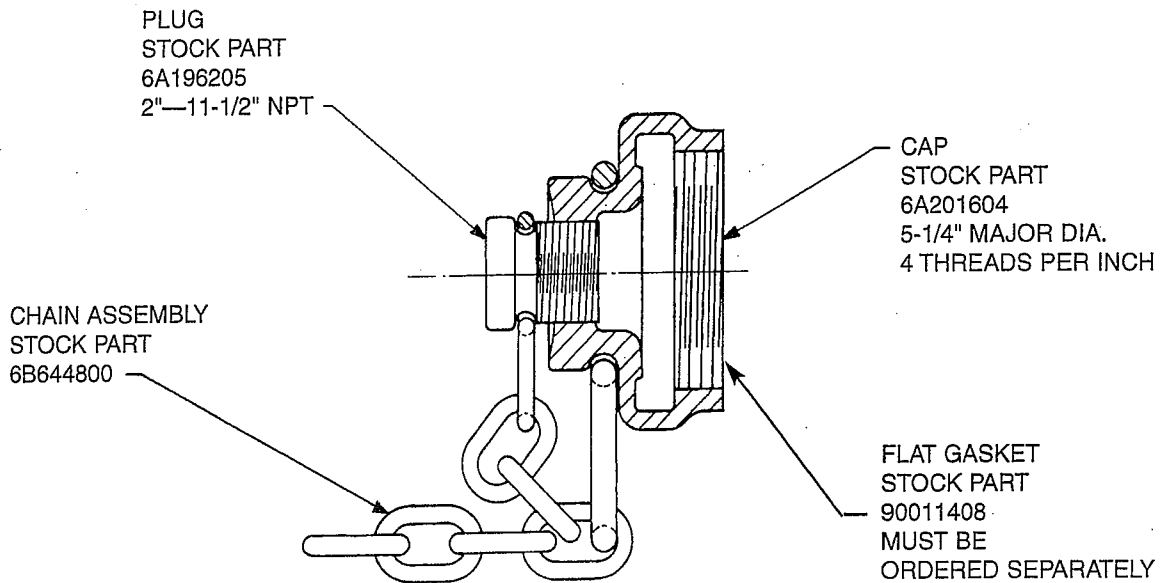


TANK CAR ACCESSORIES
ROUTE CARD HOLDER



PART #	DRAWING #	MATERIAL	WEIGHT
4U558101	DWG. 4-U-5581-01	ASTM B-209	0.33 lbs.

TANK CAR ACCESSORIES
4" OUTLET CAP, PLUG AND CHAIN ASSEMBLY

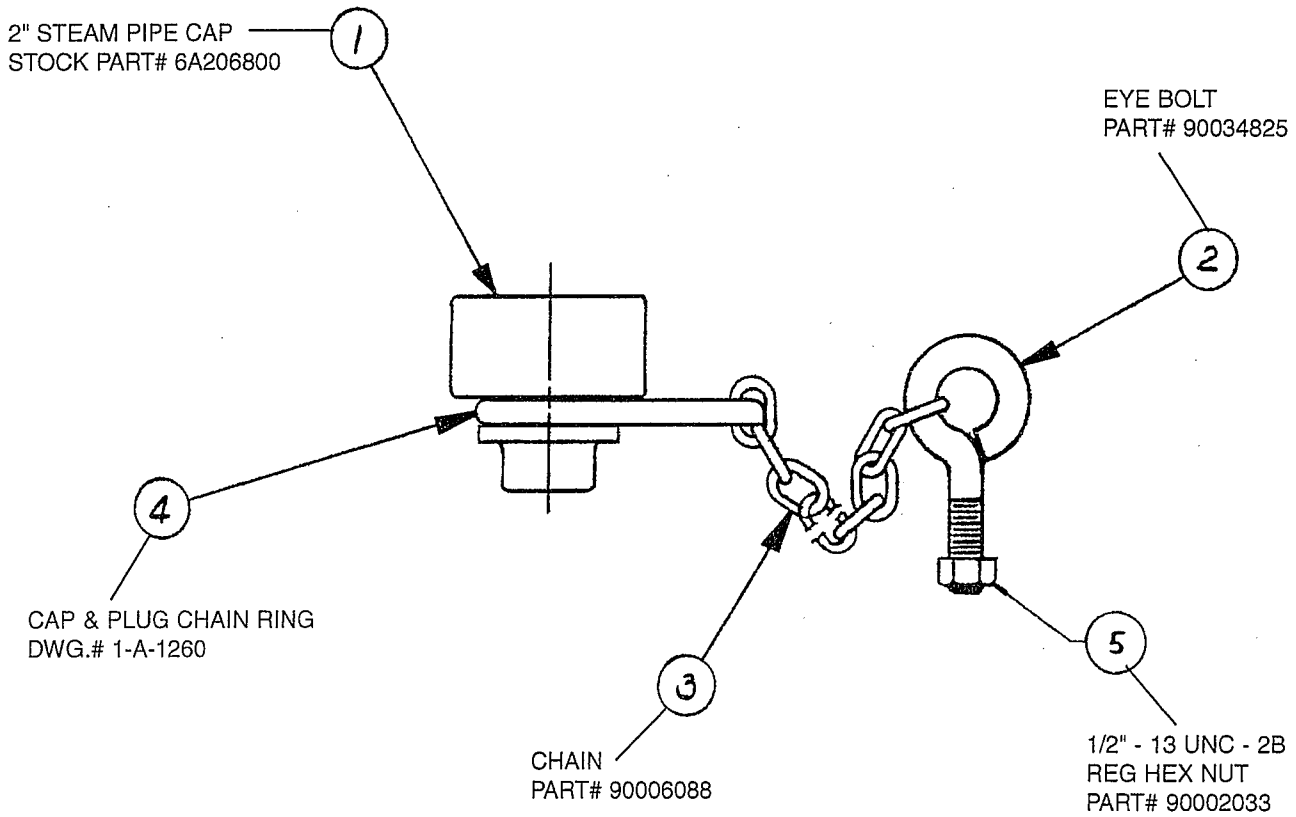


Material shown is AAR approved for use on tank cars.
 Stock Part 6E282200 consists of all items shown except
 gasket, which must be ordered separately.

PART #	DRAWING #	MATERIAL	WEIGHT
6E282200	DWG. 2-E-2822	Malleable Iron ASTM A-47 Gr. 32510	15 lbs.



TANK CAR ACCESSORIES
2" STEAM PIPE CAP ARRANGEMENT

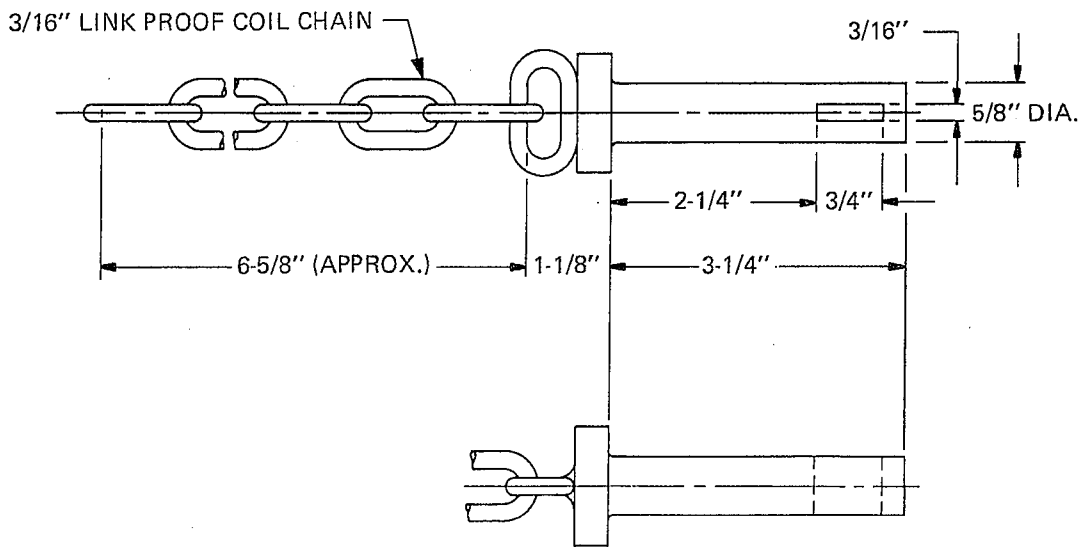


Stock part 6E271400 consists of all items shown.

PART #	DRAWING #	MATERIAL	WEIGHT
6E271400 See above	DWG. 2-E-2714		3.7 lbs.

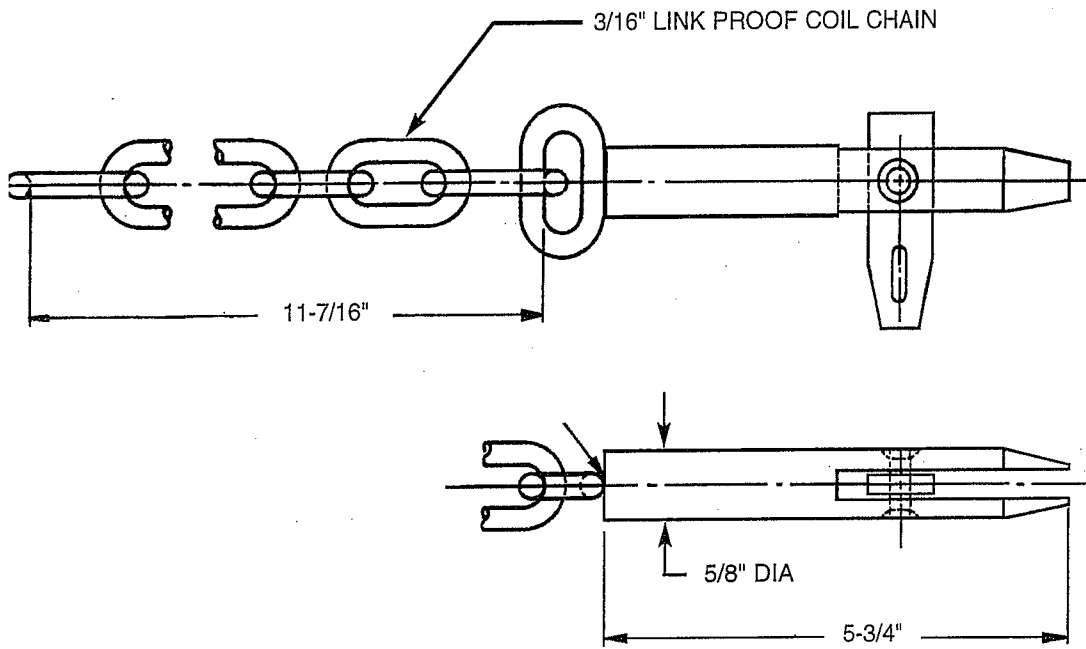


TANK CAR ACCESSORIES
CHAIN & PIN ASSEMBLY



PART #	DRAWING #	MATERIAL	WEIGHT
6C853900	DWG. 1-C-8539	Pin ASTM A-575 Gr. M-1020	0.5 lbs.

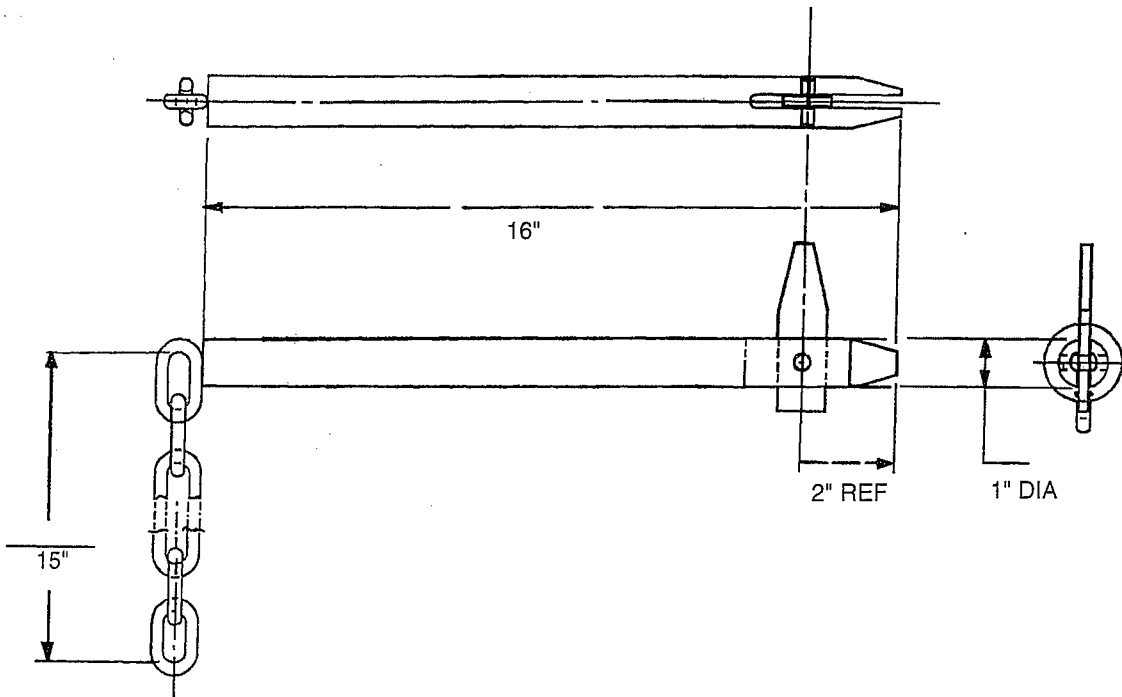
TANK CAR ACCESSORIES
CHAIN & PIN ASSEMBLY



PART #	DRAWING #	MATERIAL	WEIGHT
6J110601	DWG. 2-J-1106	Pin & Toggle ASTM A-36 Chain ASTM A-413	0.3 lbs.

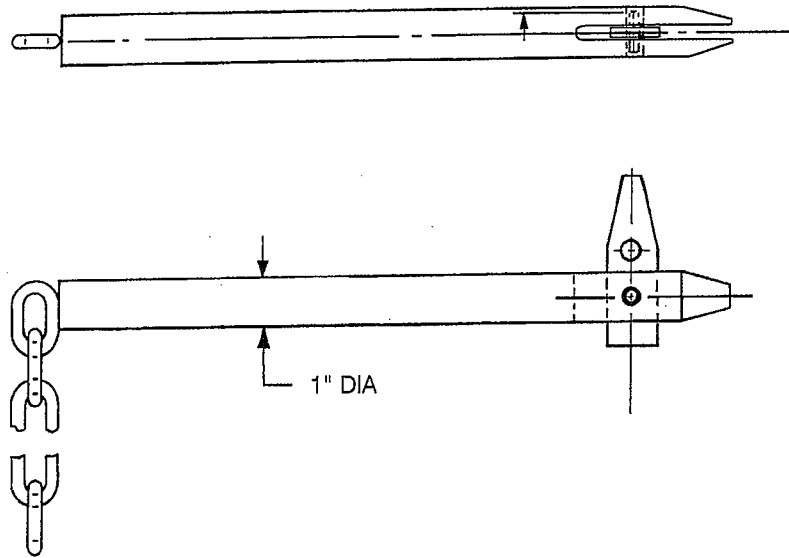


TANK CAR ACCESSORIES
CHAIN & PIN ASSEMBLY



PART #	DRAWING #	MATERIAL	WEIGHT
6J708200	DWG. 3-J-7082	Pin & Shaft ASTM A-108 Gr. 1018 Toggle ASTM A-36 Chain ASTM A-413	4.4 lbs.

TANK CAR ACCESSORIES
CHAIN & PIN ASSEMBLY

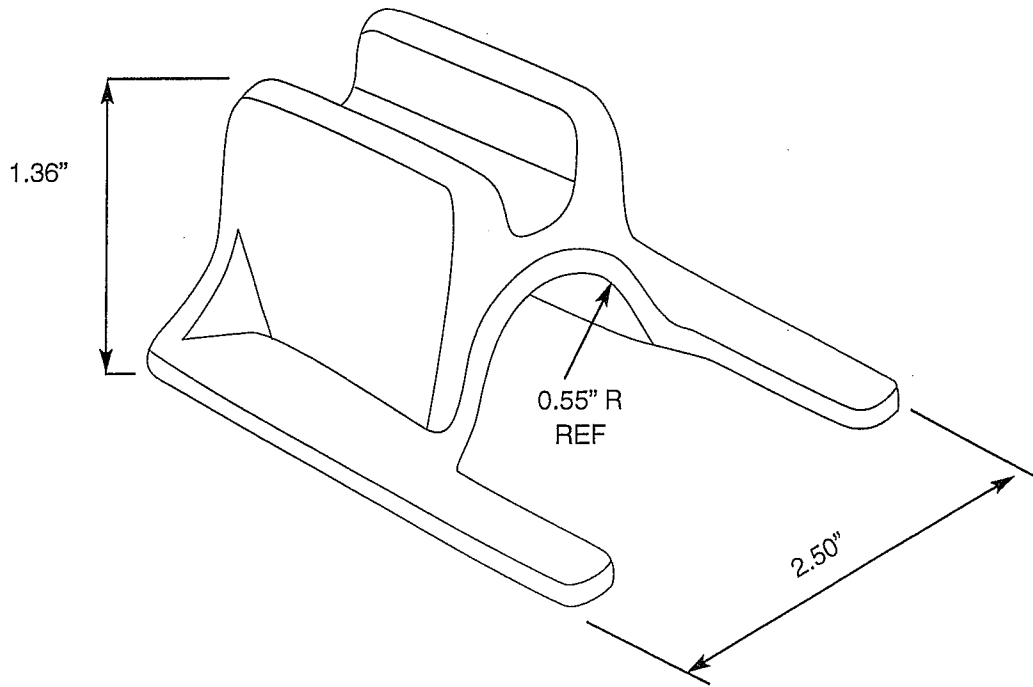


LINE	SHAFT	CHAIN	WT. (LBS.)	STOCK PART
1	14-3/16"	24"	4.5	6J724501
2	20"	15"	5.5	—

PART #	DRAWING #	MATERIAL	WEIGHT
See above	DWG. 3-J-7245	Pin & Shaft ASTM A-108 Gr. 1018 Toggle ASTM A-36 Chain ASTM A-413	See Table

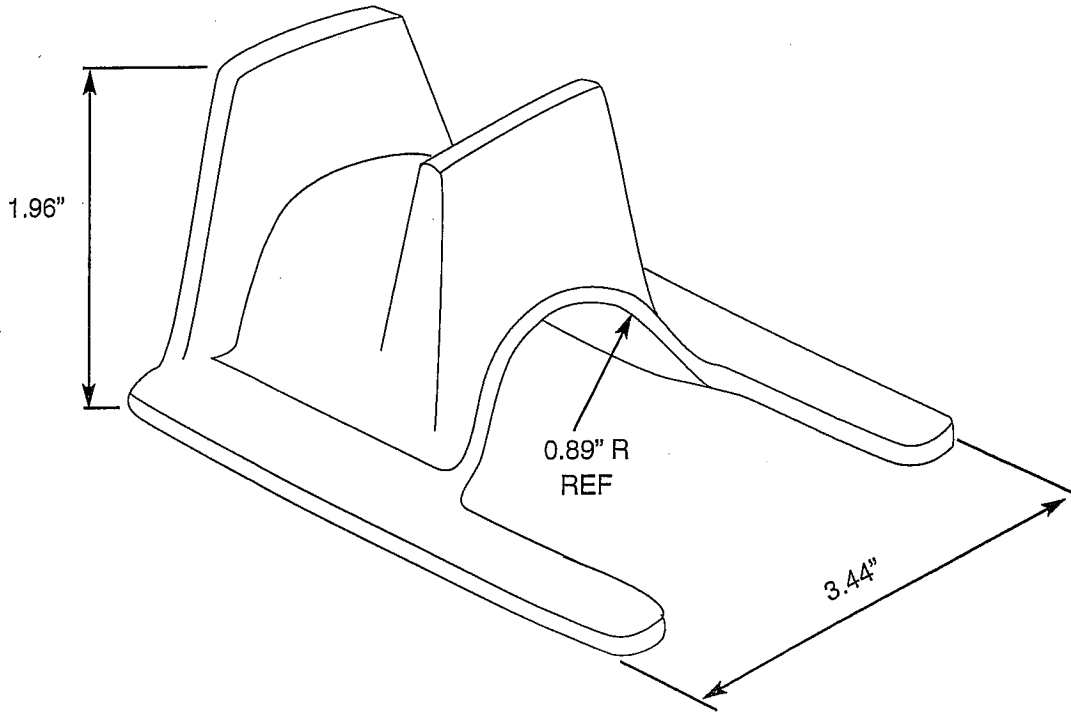


TANK CAR ACCESSORIES
BRAKE PIPE CLAMP BASE



PART #	DRAWING #	MATERIAL	WEIGHT	SIZE
50092807	DWG. 3-U-1620-00	AISI 1015 Steel	0.6 lbs.	3/4" Pipe

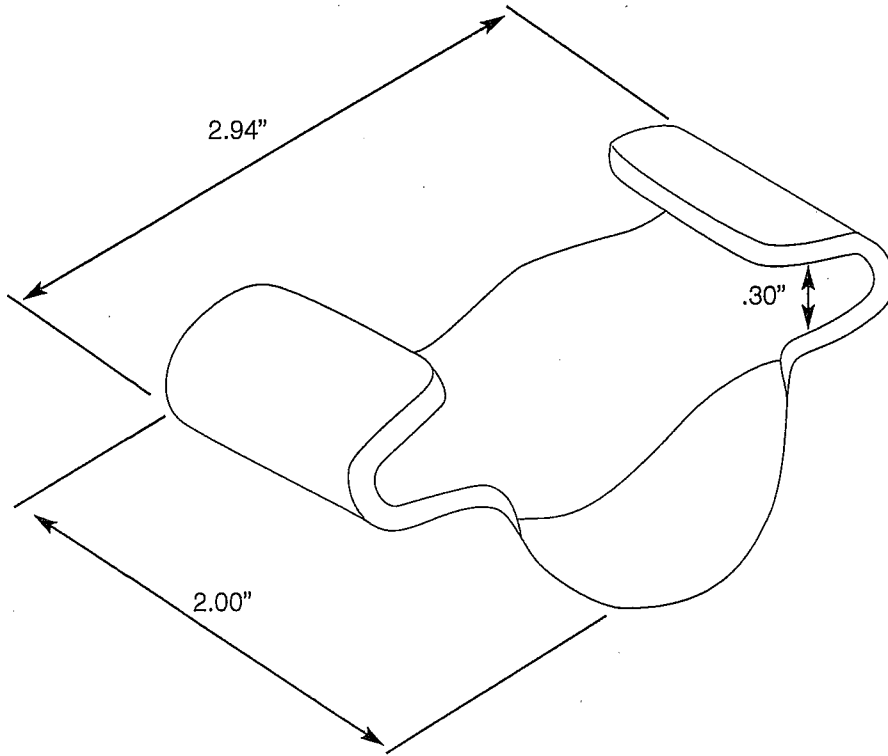
TANK CAR ACCESSORIES
BRAKE PIPE CLAMP BASE



PART #	DRAWING #	MATERIAL	WEIGHT	SIZE
50092806	DWG. 3-U-1618-00	AISI 1015 Steel	1.4 lbs.	1-1/4" Pipe

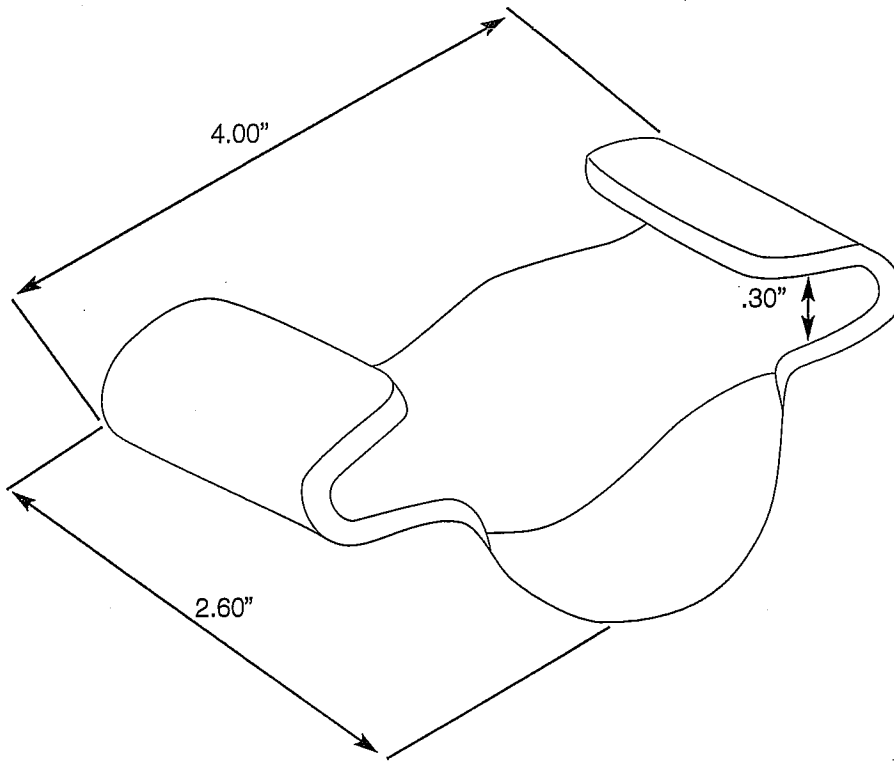


TANK CAR ACCESSORIES
BRAKE PIPE CLAMP WEDGE



PART #	DRAWING #	MATERIAL	FINISH	WEIGHT	SIZE
6U161901	DWG. 3-U-1619-01	ASTM A569	Black Zinc Phosphate Coating	0.3 lbs.	3/4" Pipe
3U161900	DWG. 3-U-1619-00	ASTM A569	Electrodeposited Zinc Coating	0.3 lbs.	3/4" Pipe

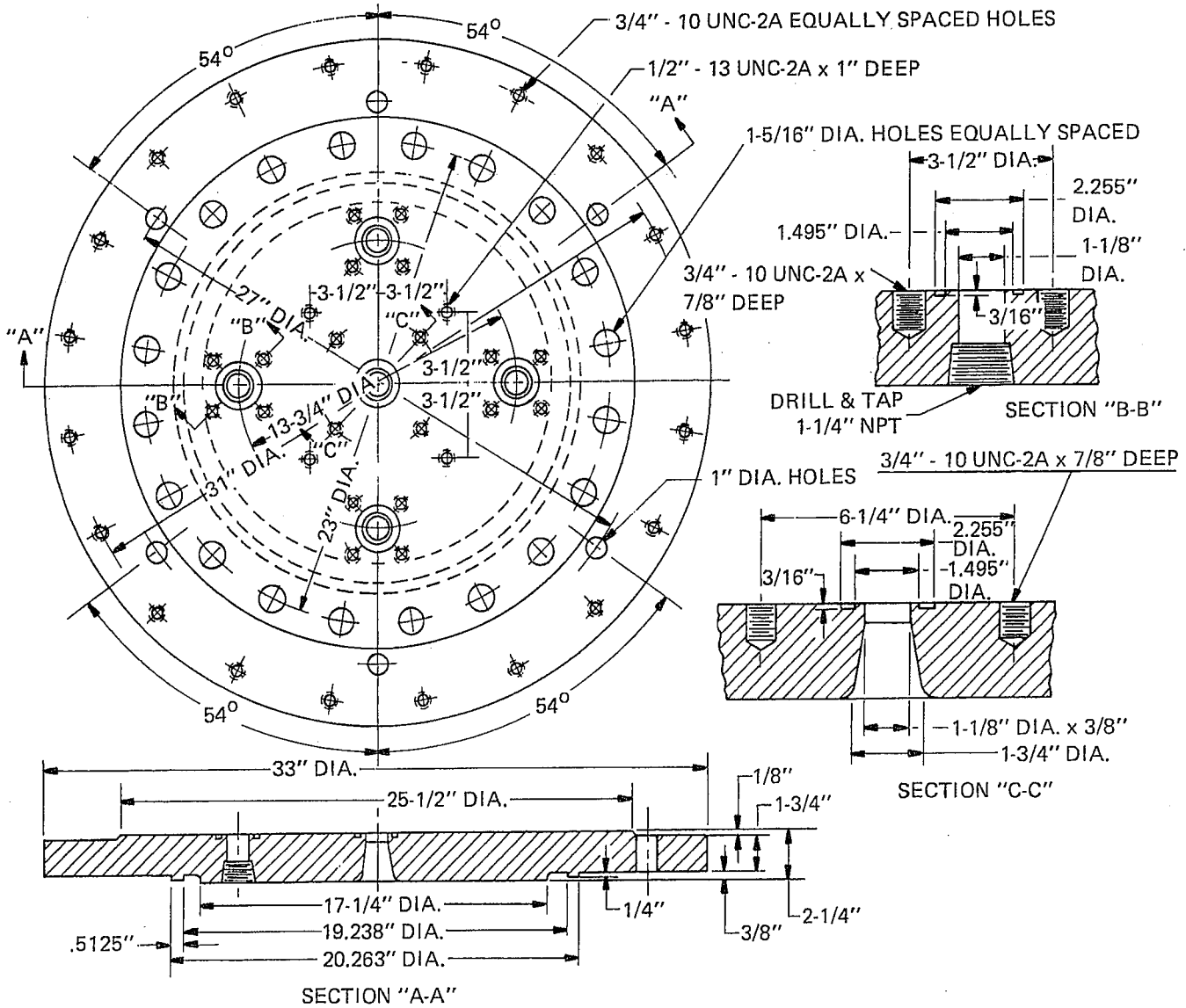
TANK CAR ACCESSORIES
BRAKE PIPE CLAMP WEDGE



PART #	DRAWING #	MATERIAL	FINISH	WEIGHT	SIZE
6U161701	DWG. 3-U-1617-01	ASTM A569	Black Zinc Phosphate Coating	.6 lbs.	1-1/4" Pipe
3U161700	DWG. 3-U-1617-00	ASTM A569	Electrodeposited Zinc Coating	.6 lbs.	1-1/4" Pipe



TANK CAR ACCESSORIES
18" MANWAY COVER (CHLORINE SERVICE)

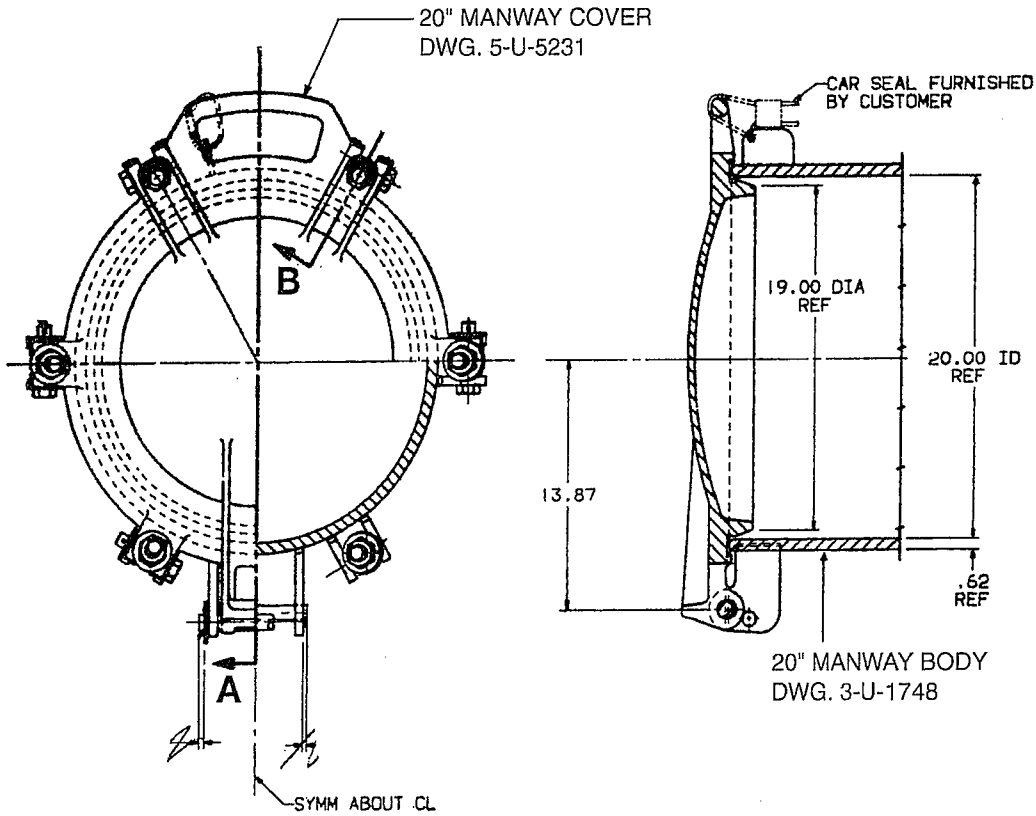


This part conforms to AAR standard. Holes for valves can be drilled to meet specific requirements.

Chlorine Institute DWG #103

PART #	DRAWING #	MATERIAL	WEIGHT
6B196302	DWG. 3-B-1963-02	ASTM A-516 Gr. 70	360 lbs.

TANK CAR ACCESSORIES
 MANWAY ARRANGEMENT 20" - 6 LUG

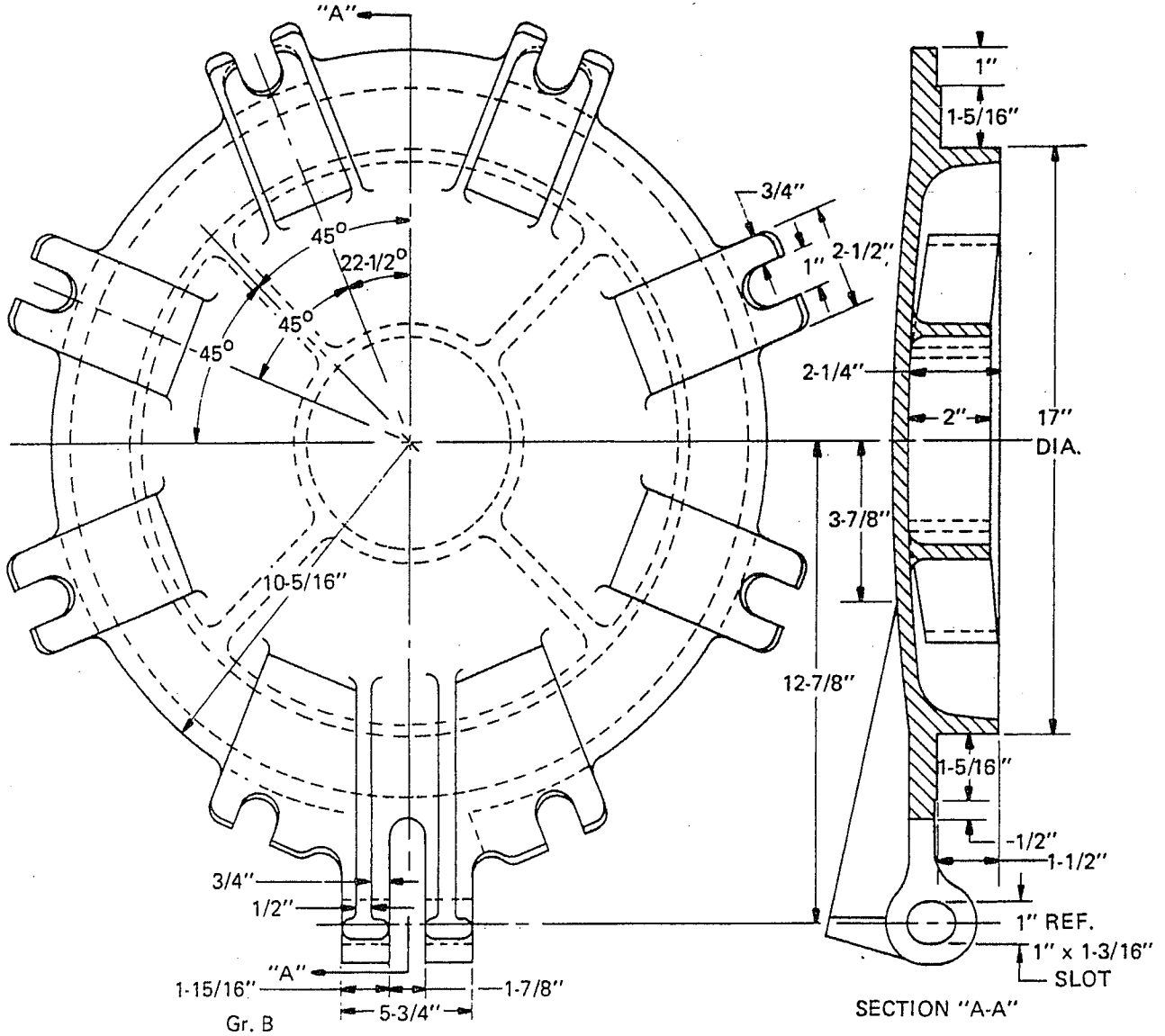


IMPORTANT NOTE:
 Car number required when ordering.

PART #	DRAWING #	MATERIAL	WEIGHT
	DWG. 4-U-6899	Steel Varies by car number	306 lbs.

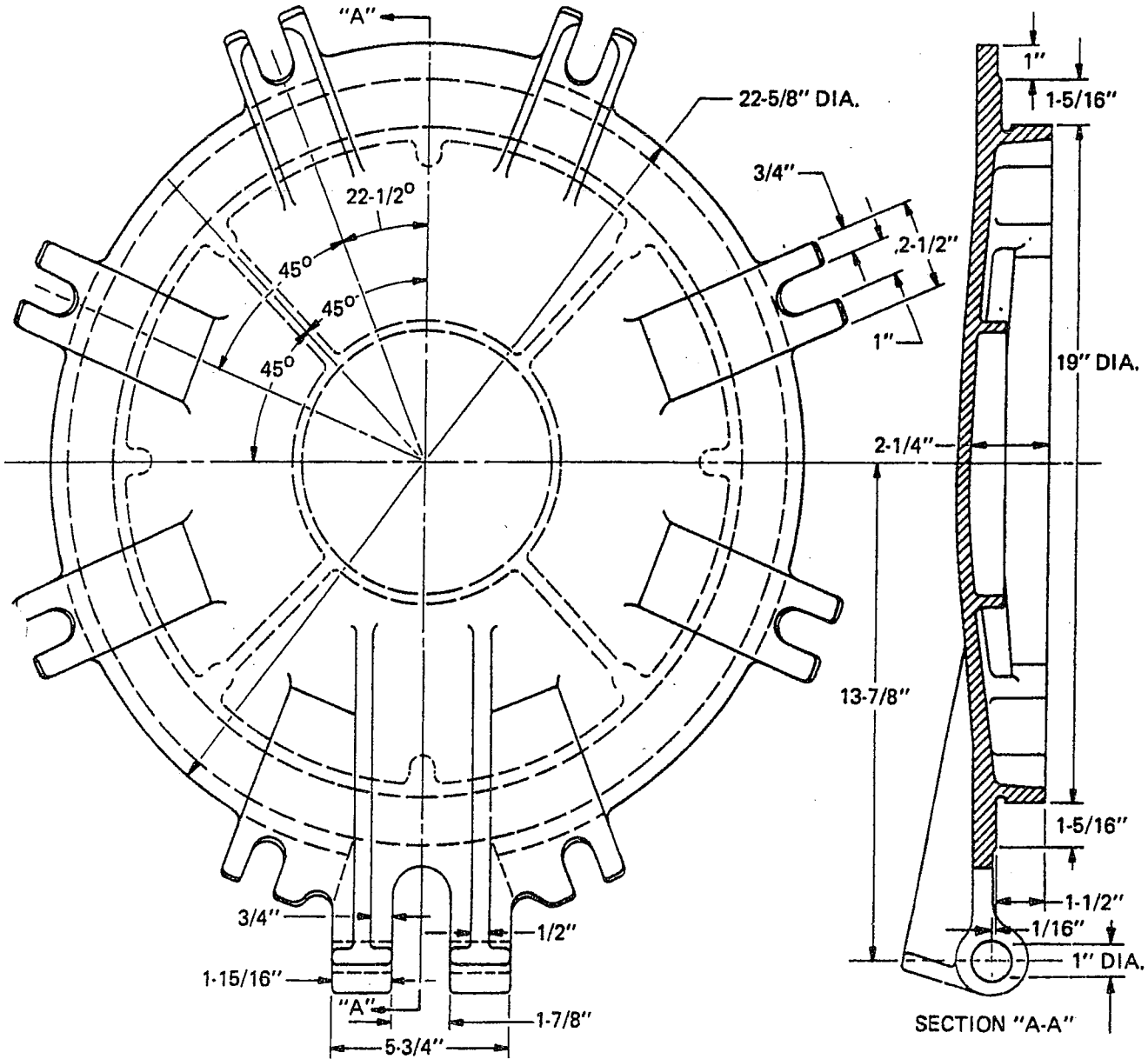


TANK CAR ACCESSORIES
MANWAY COVER - 18"



PART #	DRAWING #	MATERIAL	WEIGHT
6A067001	3-A-0670-01	AAR M-201 Gr. B	95 lbs.

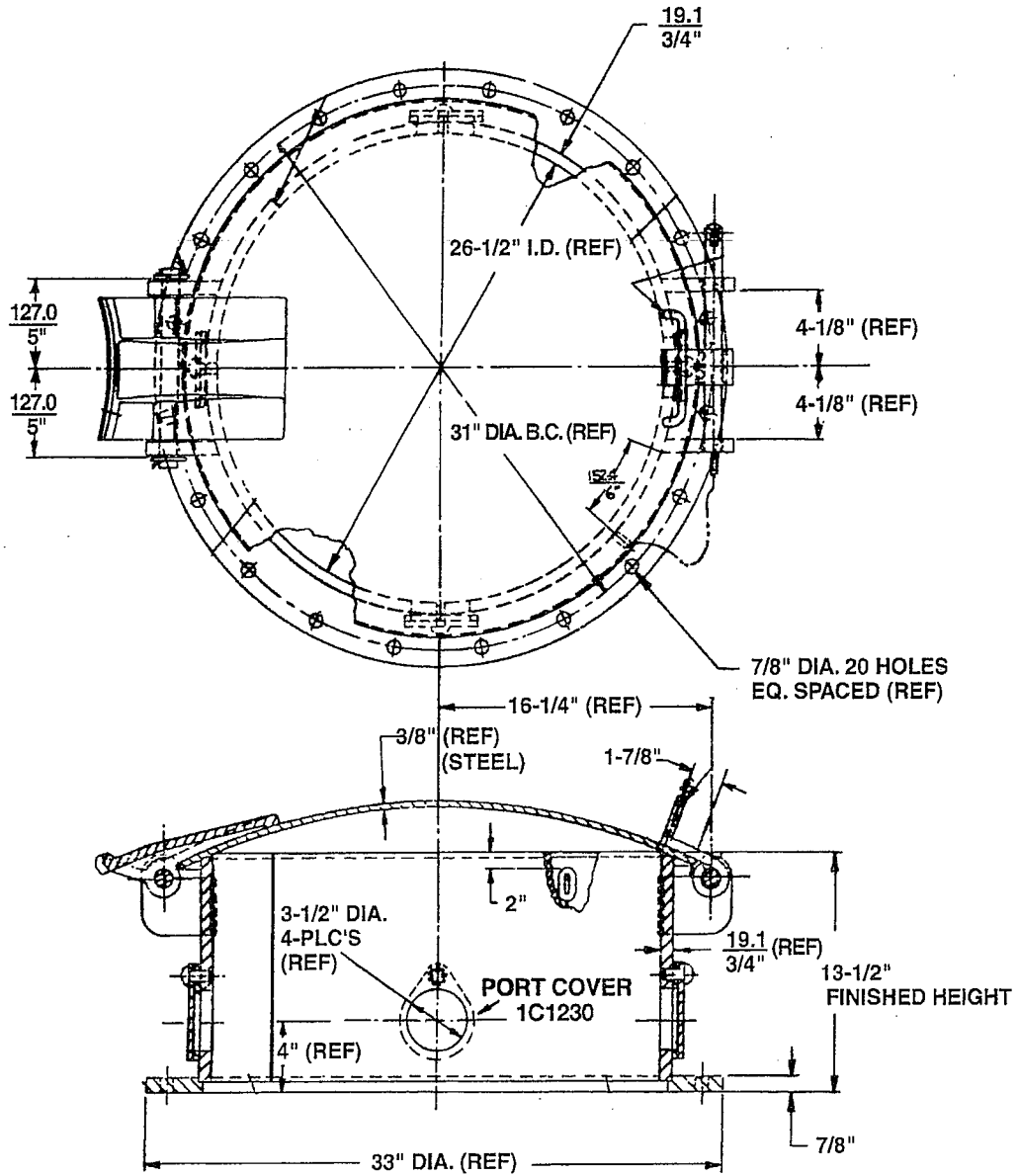
TANK CAR ACCESSORIES
MANWAY COVER - 20"



PART #	DRAWING #	MATERIAL	WEIGHT
50092769	2-J-8913-00	AAR M-201 Gr. B	113 lbs.

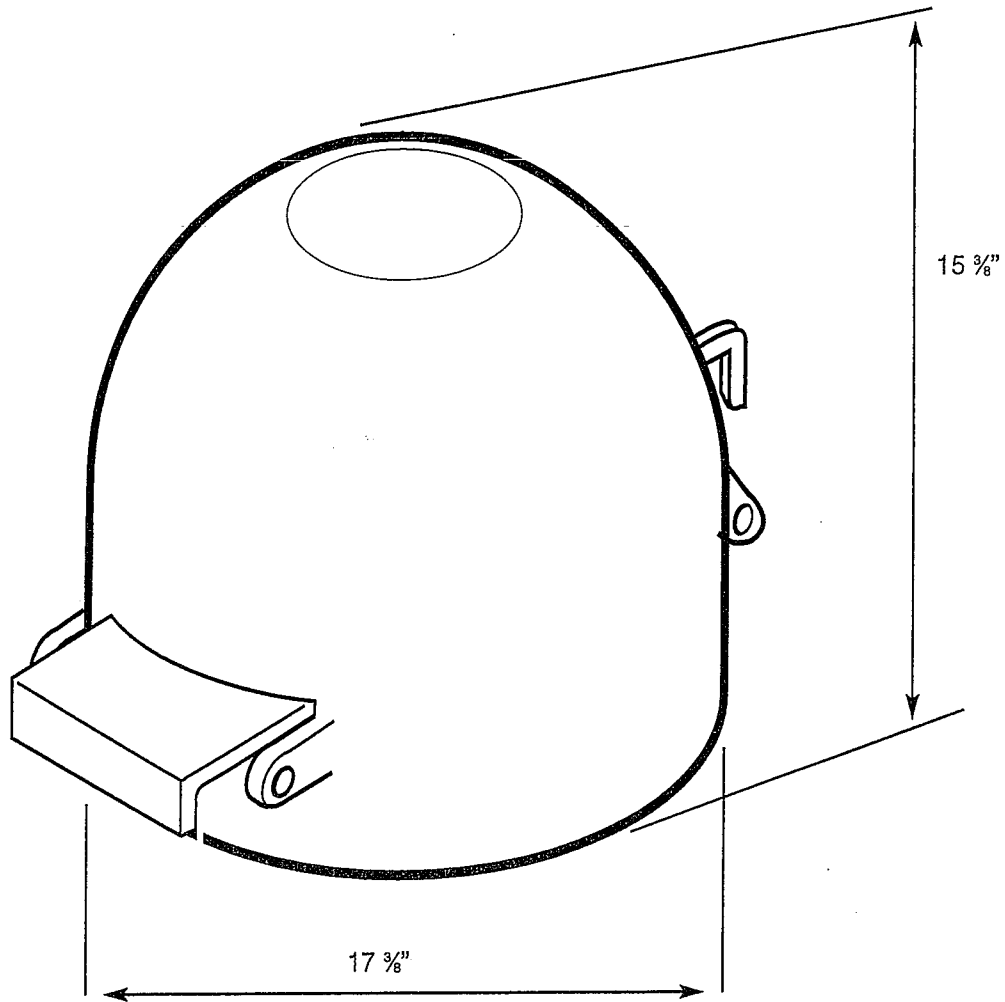


TANK CAR ACCESSORIES
HOUSING AND COVER ASSEMBLY



PART #	DRAWING #	MATERIAL	WEIGHT
	DWG. 4-H-9250	Steel	470 lbs.

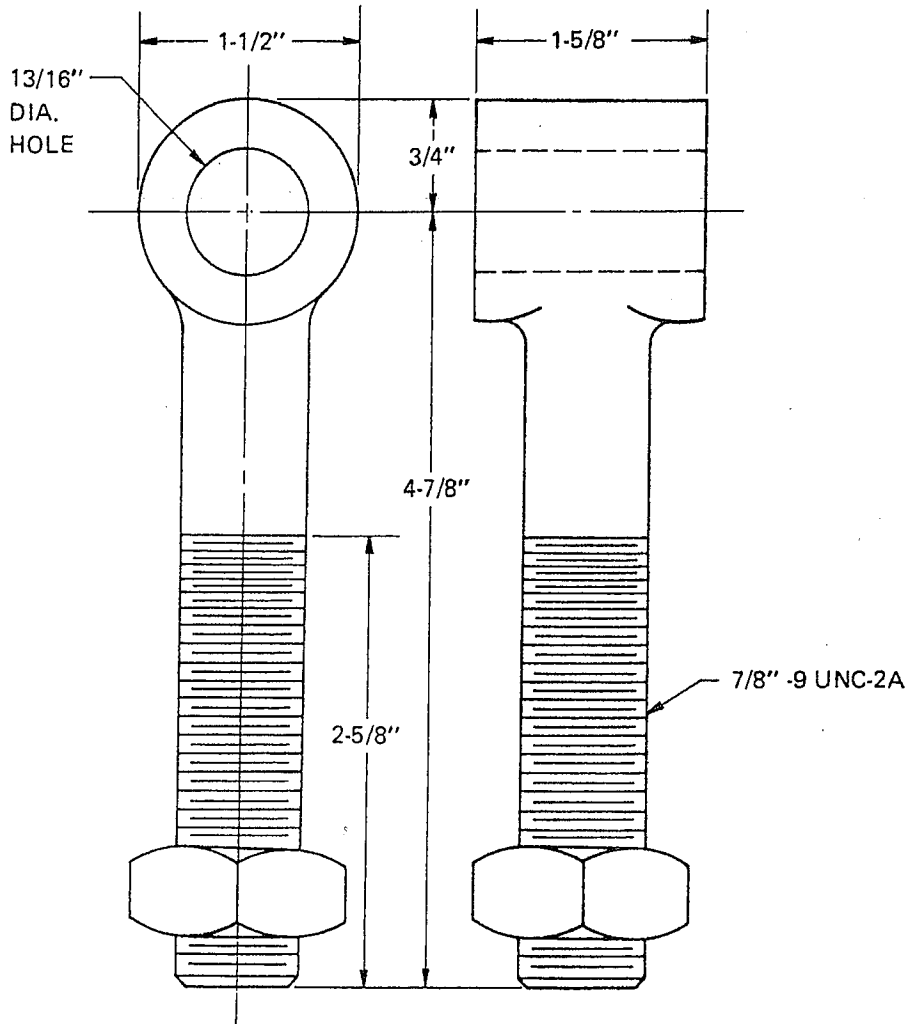
TANK CAR ACCESSORIES
COVER TOP FITTINGS



PART #	DRAWING #	MATERIAL
6G796600	2-G-7966	Carbon Steel



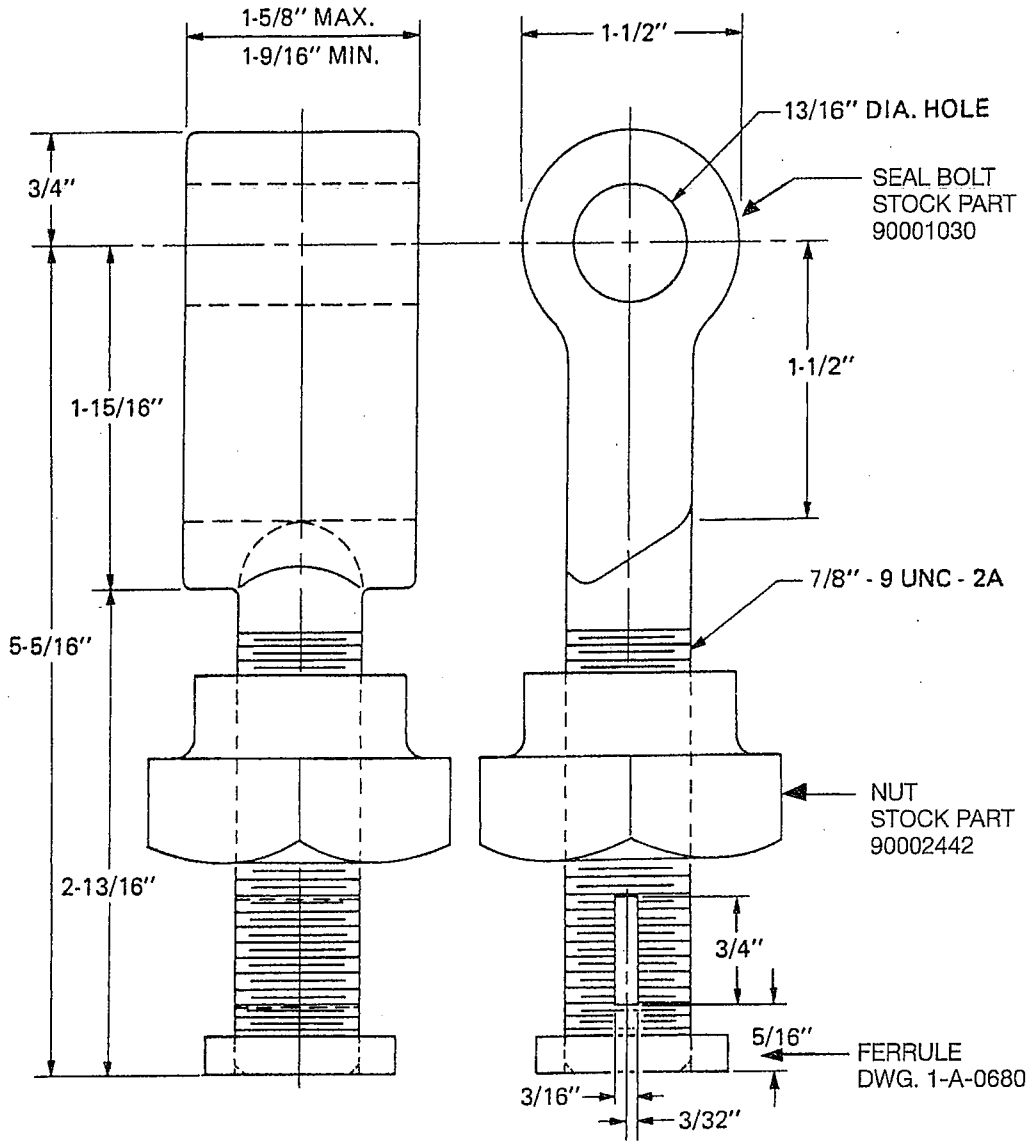
TANK CAR ACCESSORIES
 MANWAY COVER
 HINGE BOLT AND NUT



Bolt, nut and washer must be ordered separately.

PART #	DRAWING #	MATERIAL	WEIGHT
6B016200	HINGE BOLT 1-B-0162	Bolt ASTM A-576 Gr. 1045	3 lbs.
3V900902	HINGE BOLT	Bolt ASTM A-576 Gr. 1045	3 lbs.
90002323	HEAVY SQUARE NUT	ASTM A-307 Gr. B	
90004004	WASHER	Steel Ty. A	

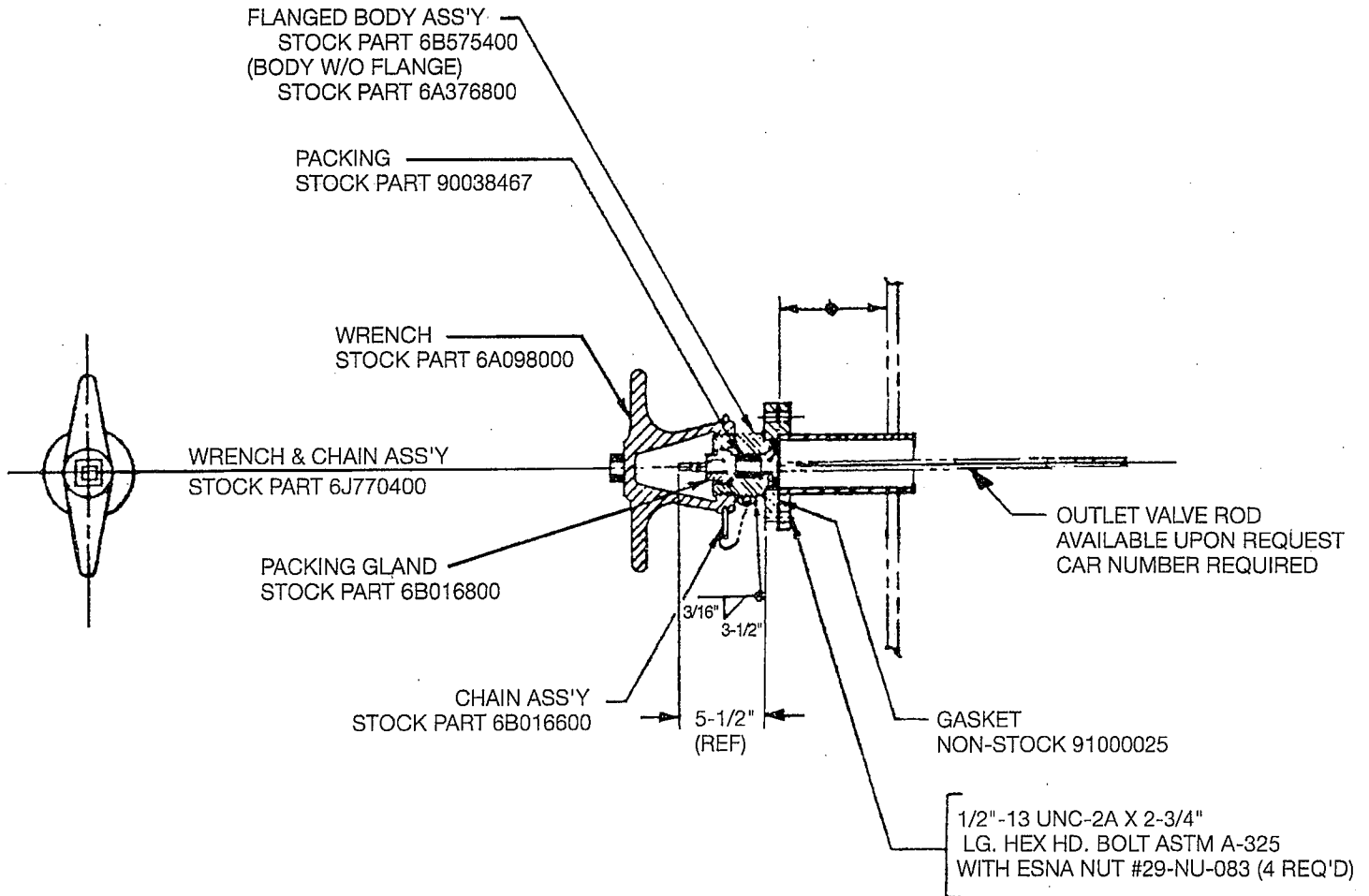
TANK CAR ACCESSORIES
 MANWAY COVER SEAL
 BOLT WITH NUT & FERRULE



PART #	DRAWING #	MATERIAL	WEIGHT
6E308300	DWG 2-E-3083	Seal Bolt ASTM A-307 Gr. B Nut ASTM A-194 Gr. 1	3.5 lbs.



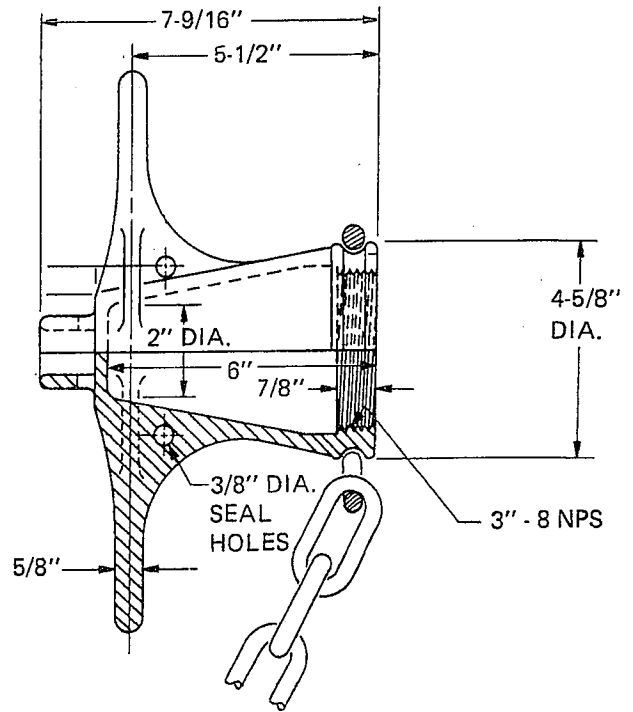
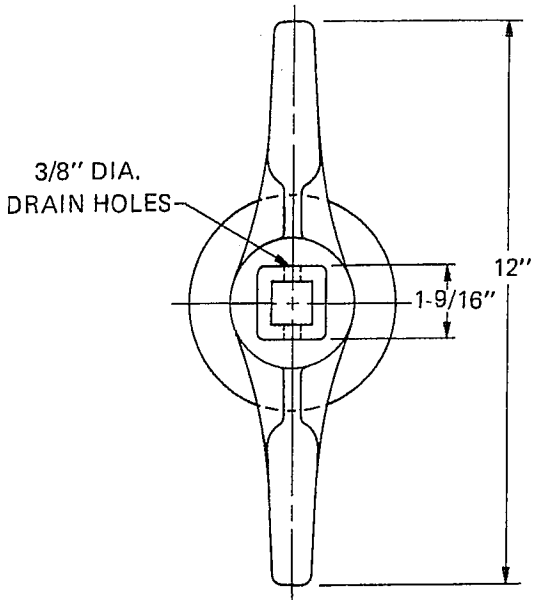
TANK CAR ACCESSORIES
OUTLET VALVE ROD
FLANGED NOZZLE ASSEMBLY



Not available as an assembly, see following pages for individual items.

PART #	DRAWING #	WEIGHT
See above	DWG 2-D-1569	43 lbs.

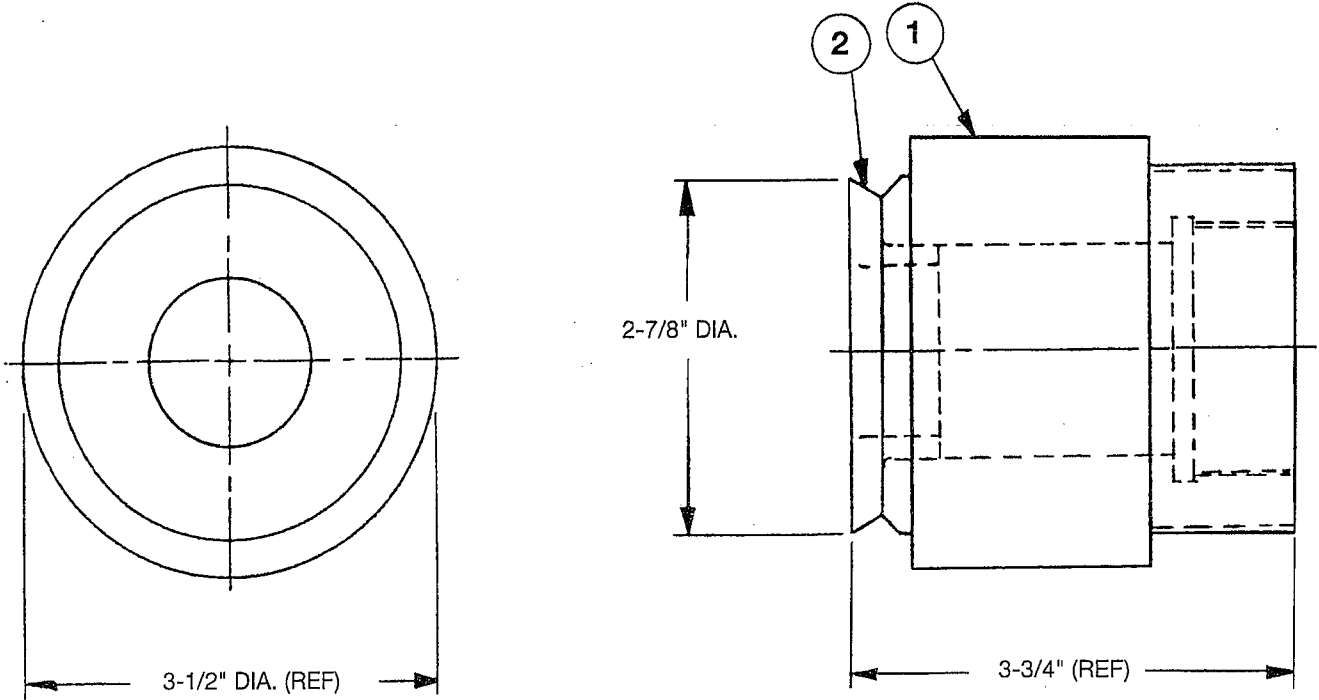
TANK CAR ACCESSORIES
 OUTLET VALVE ROD
 NOZZLE CAP & WRENCH



CHAIN		CAP & WRENCH		CAP WRENCH & CHAIN ASSEMBLY		MATERIAL	WEIGHT
PART #	DRAWING #	PART #	DRAWING #	PART #	DRAWING #		
68016600	DWG. 1-B-0166	6A098000	DWG. 1-A-0980	6J770400	DWG. 2-J-770400	ASTM A-47 Gr. 32510	9.5 lbs.
						Malleable Iron	3 lbs.
							12.5 lbs.

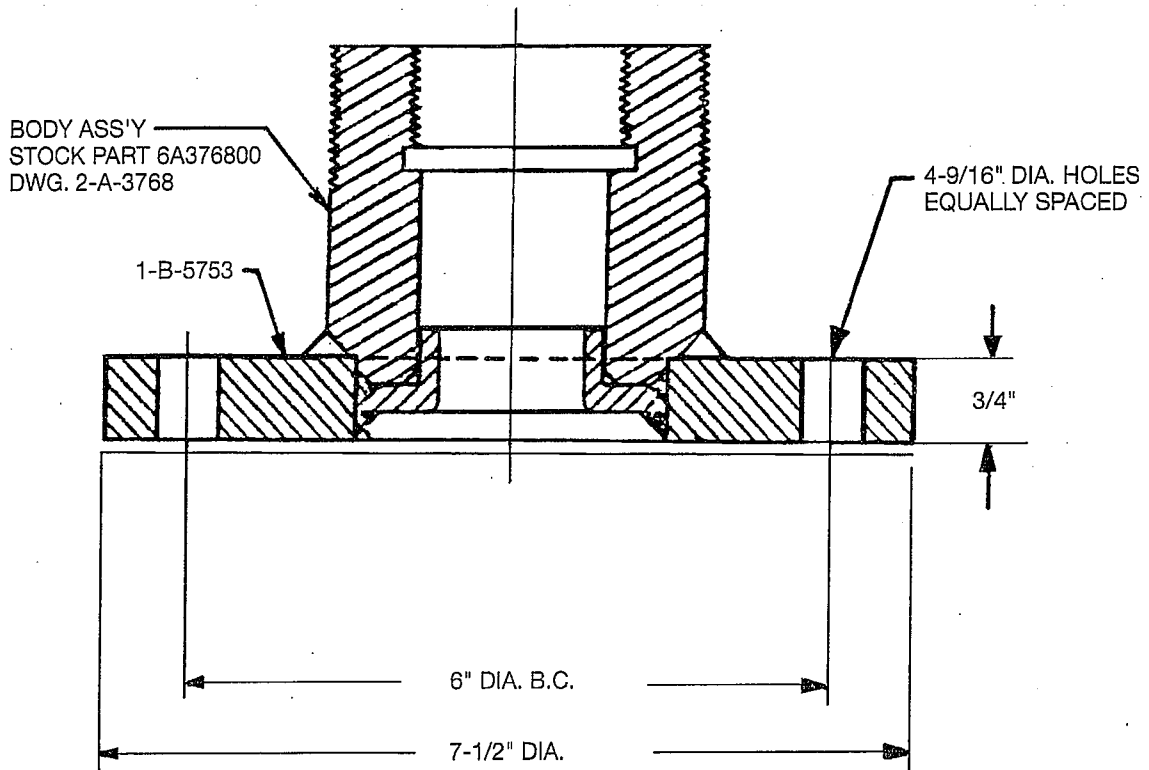


TANK CAR ACCESSORIES
OUTLET VALVE ROD
NOZZLE BODY ASSEMBLY



PART #	DRAWING #	MATERIAL	WEIGHT
6A376800	DWG. 2-A-3768	1. Body - ASTM A513 Gr. 1026 Type 5 2. Insert - ASTM A-564 Type H1150	7.15 lbs.

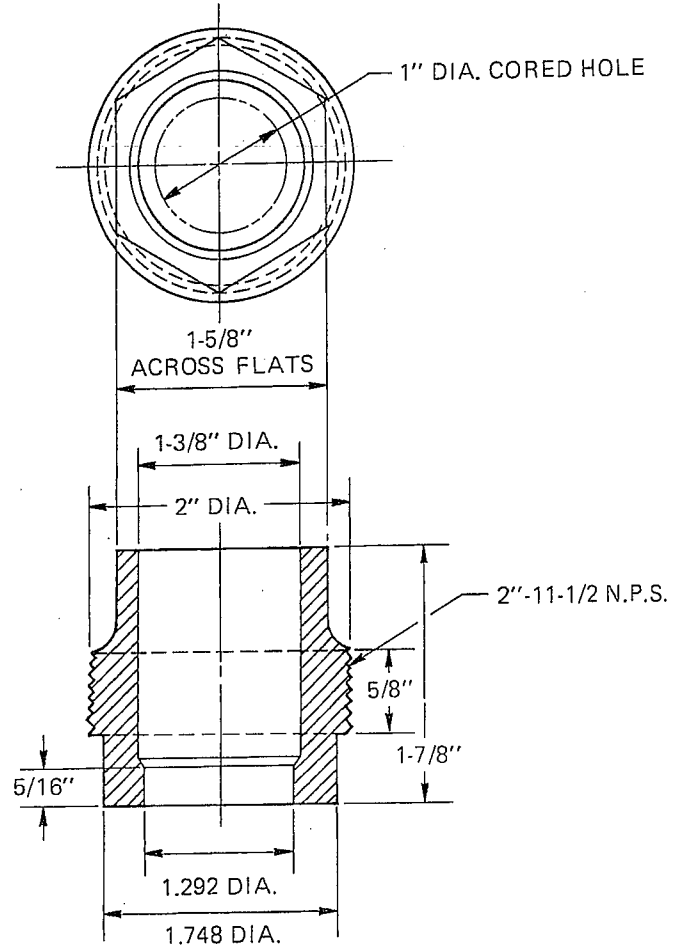
TANK CAR ACCESSORIES
 OUTLET VALVE ROD
 NOZZLE FLANGED BODY ASSEMBLY



PART #	DRAWING #	MATERIAL	WEIGHT
6B575400	DWG. 1-B-5754	1. Body - ASTM A513 Gr. 1026 Type 5 2. Flange - ASTM A515 Gr. 70	15 lbs.



TANK CAR ACCESSORIES
OUTLET VALVE ROD
NOZZLE PACKING GLAND



PART #	DRAWING #	MATERIAL	WEIGHT
6B016800	DWG. 1-B-0168	AAR-M-201 Gr. B Cast Steel	2 lbs.