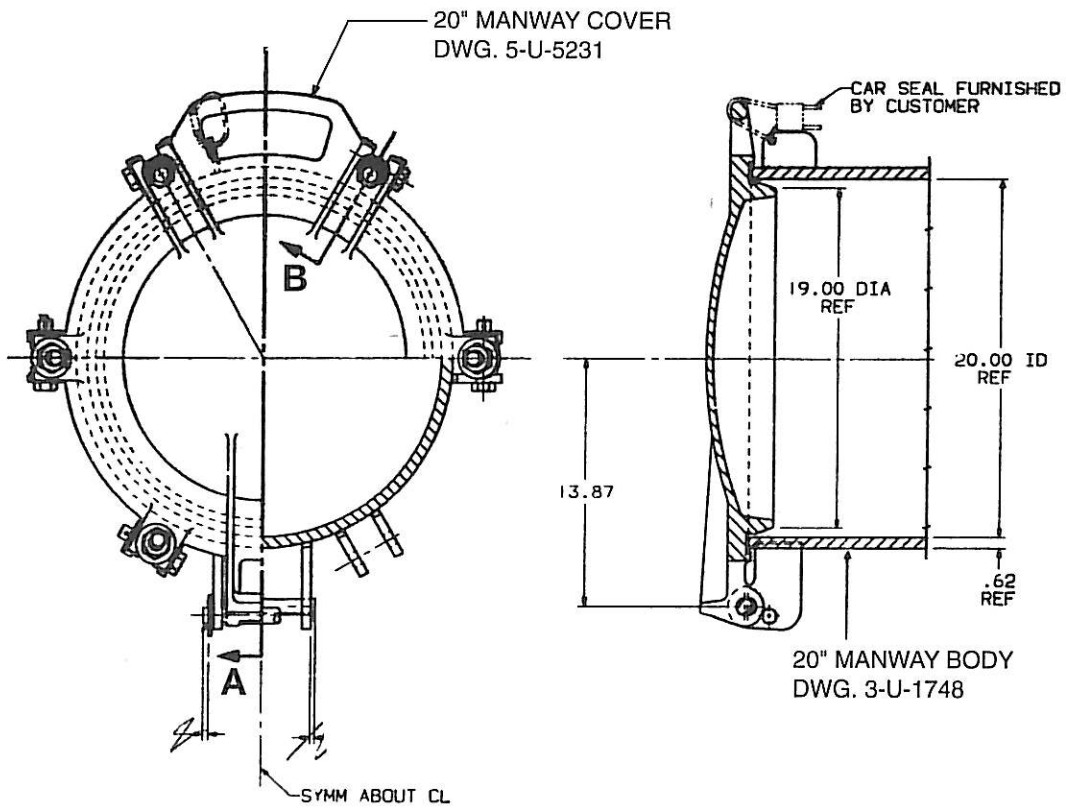


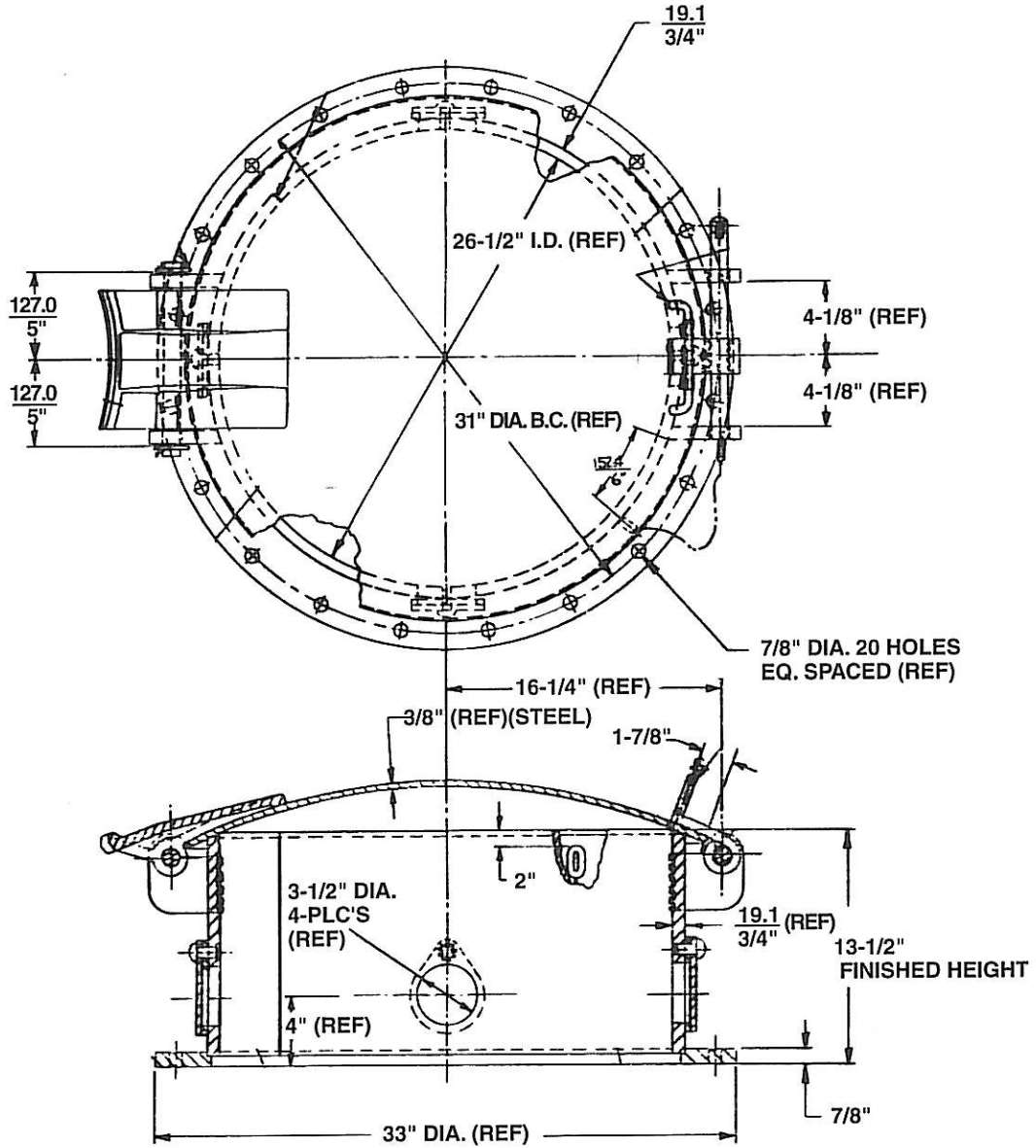
18" MANWAY COVER (CHLORINE SERVICE)	MATERIAL	WEIGHT
DWG 3-B-1963-02 Stock Part 6B196302	ASTM A-515 Gr. 70	360 lbs.

This part conforms to AAR standard. Holes for valves can be drilled to meet your requirements.

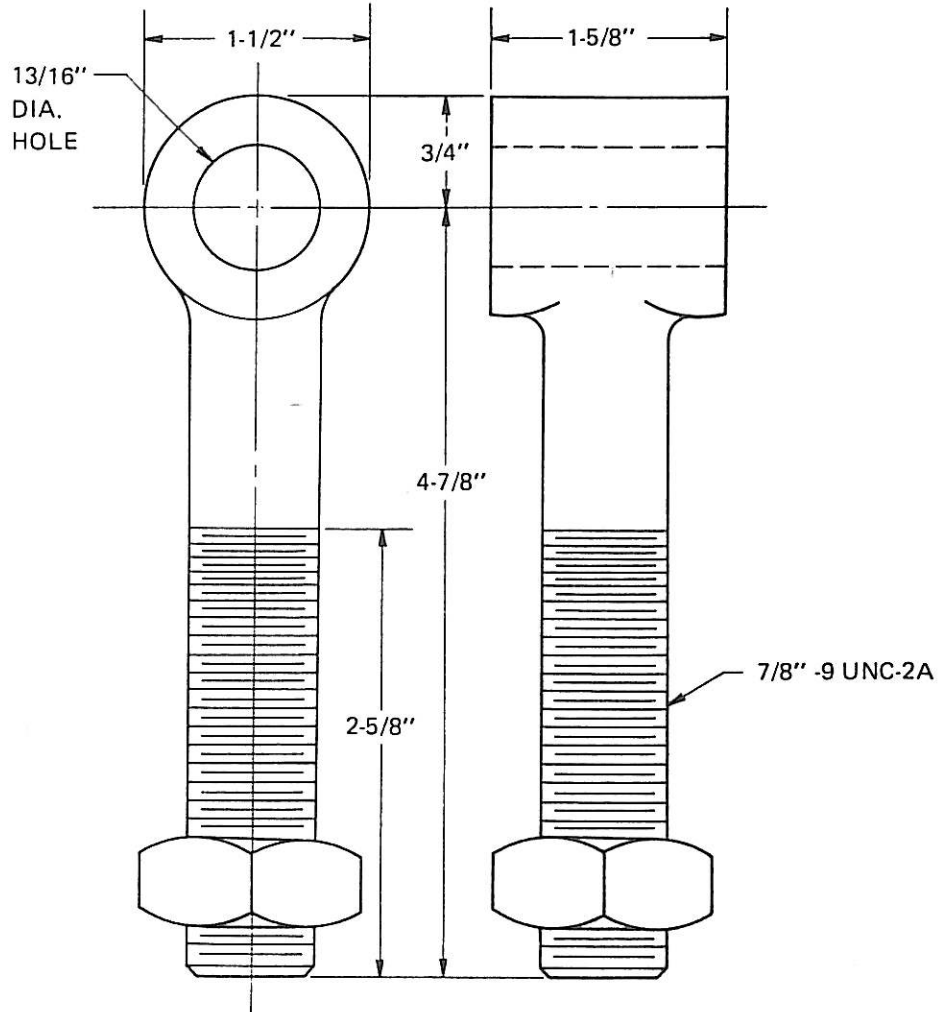


MANWAY ARRANGEMENT 20" — 6 LUG	MATERIAL	WEIGHT
DWG. 4-U-6899	Steel Varies by car number.	306 lbs.

IMPORTANT NOTE:
Car number required when ordering.

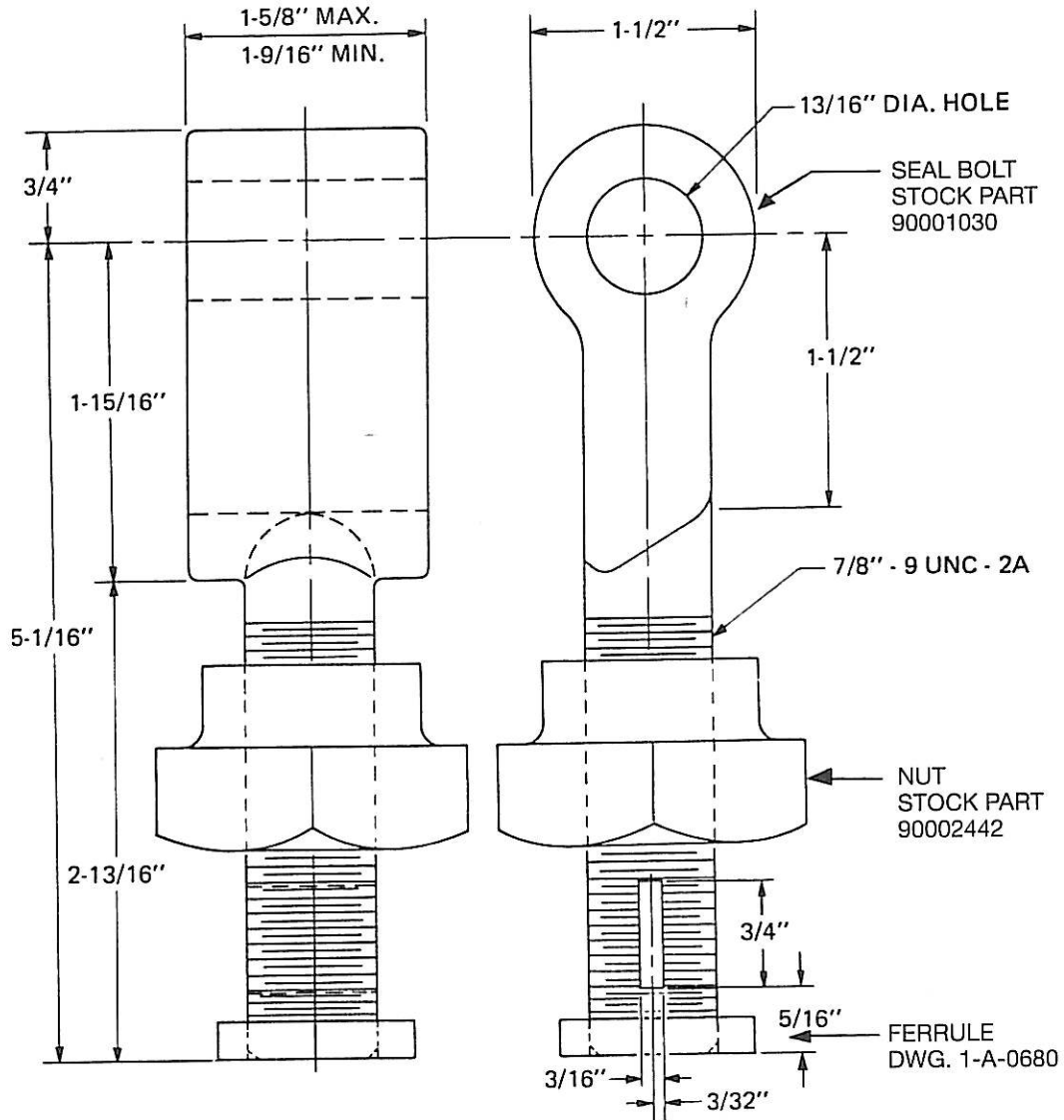


HOUSING AND COVER ASSEMBLY	MATERIAL	WEIGHT
DWG. 4-H-9250	Steel	470 lbs.

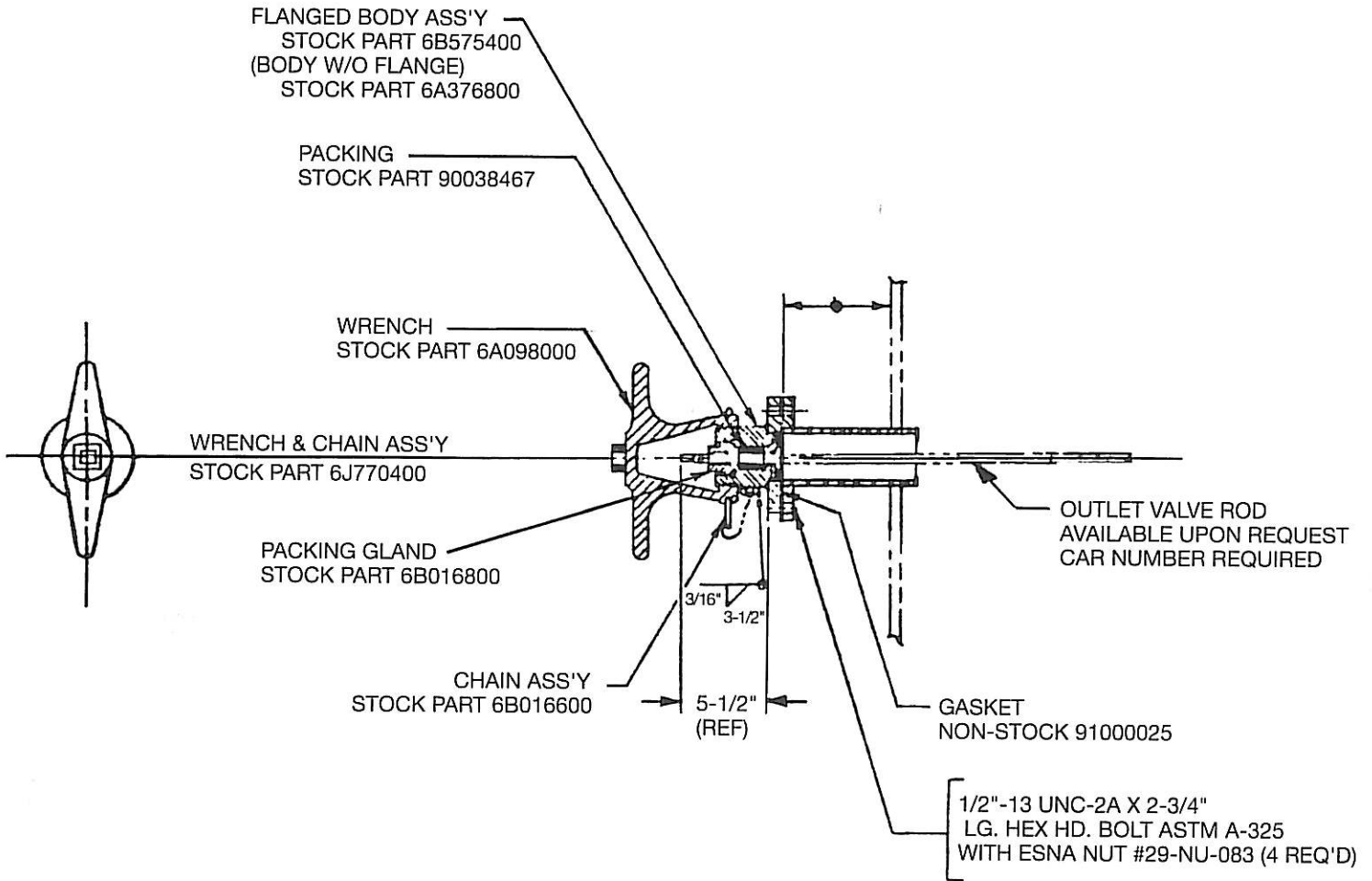


MANWAY COVER HINGE BOLT & NUT	MATERIAL	WEIGHT
HINGE BOLT DWG. 1-B-0162 Stock Part 6B016200 HEAVY SQUARE NUT Stock Part 90002323	Bolt ASTM A-576 Gr. 1045 ASTM A-307 Gr. B	3 lbs.

Bolt and nut must be ordered separately.

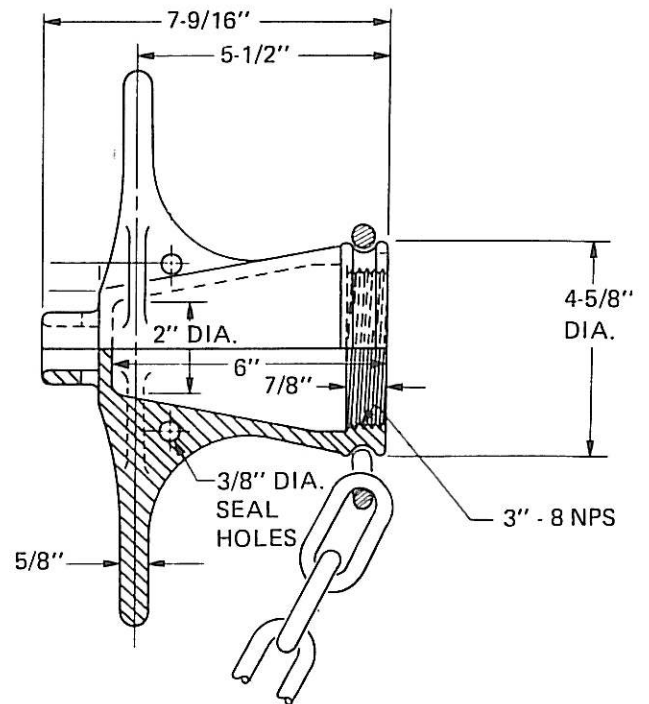
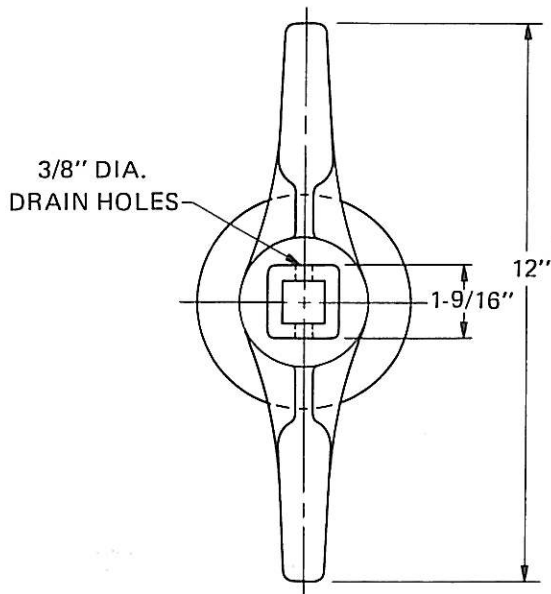


MANWAY COVER SEAL BOLT W/NUT & FERRULE	MATERIAL	WEIGHT
DWG 2-E-3083 Stock Part 6E308300	Seal Bolt ASTM A-307 Gr. B Nut ASTM A-194 Gr. 1	3.5 lbs.

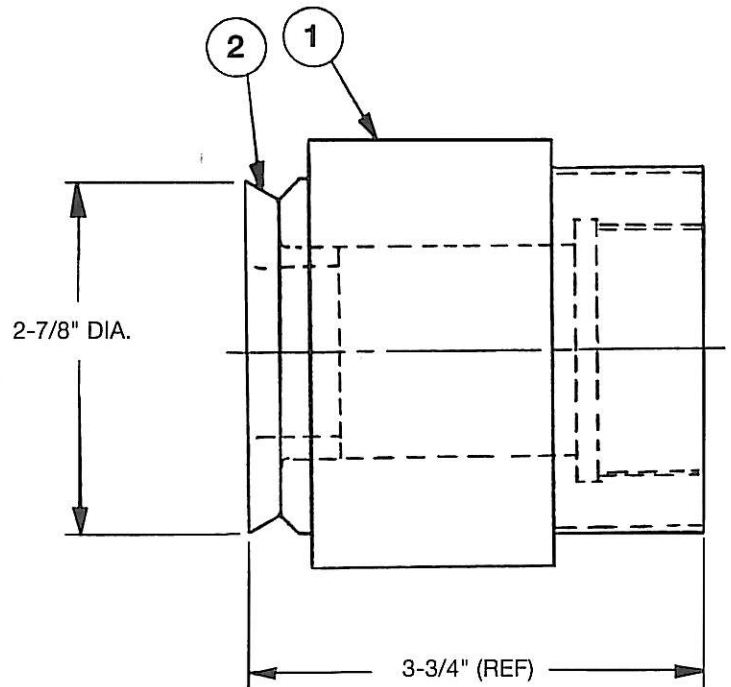
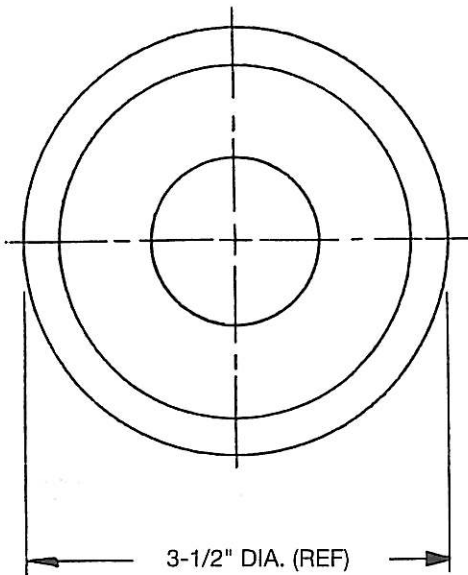


OUTLET VALVE ROD FLANGED NOZZLE ASSEMBLY	WEIGHT
DWG. 2-D-1569	43 lbs.

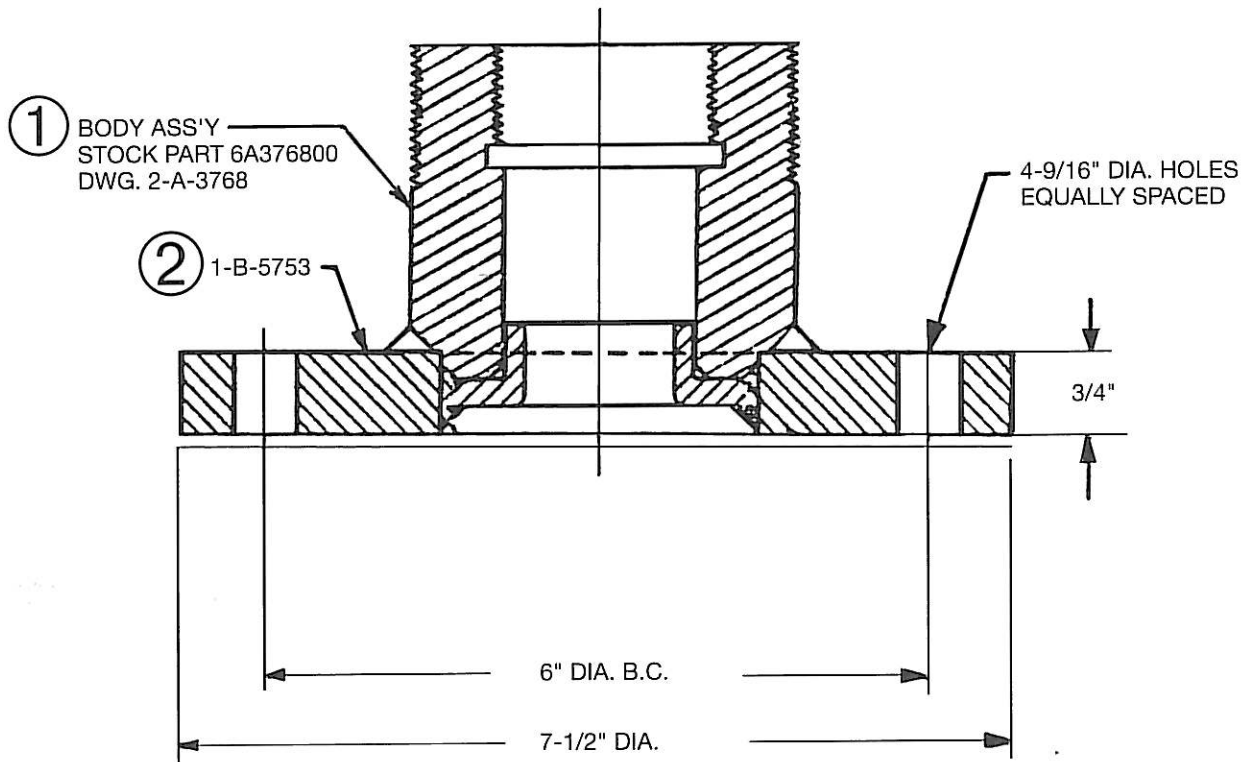
Not available as an assembly,
see following pages for individual items.



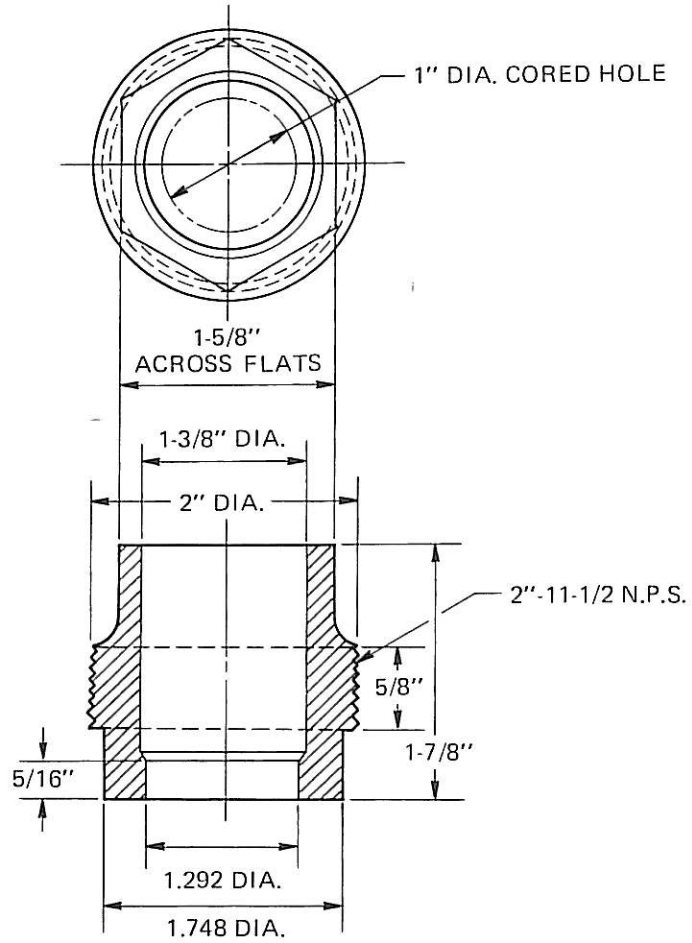
OUTLET VALVE ROD NOZZLE CAP & WRENCH	MATERIAL	WEIGHT
CAP & WRENCH DWG. 1-A-0980 Stock Part 6A098000	Cap Wrench ASTM A-47 Gr. 32510 Malleable Iron	9.5 lbs
CHAIN DWG. 1-B-0166 Stock Part 6B016600	Chain	3 lbs.
CAP WRENCH & CHAIN ASSY. DWG. 2-J-770400 Stock Part 6J770400		12.5 lbs.



OUTLET VALVE ROD NOZZLE BODY ASSEMBLY	MATERIAL	WEIGHT
DWG. 2-A-3768 Stock Part 6A376800	① Body - ASTM A513 Gr. 1026 Type 5 ② Insert - ASTM A-564 Type H1150	7.15 lbs.



OUTLET VALVE ROD NOZZLE FLANGED BODY ASSEMBLY	MATERIAL	WEIGHT
DWG. 1-B-5754 Stock Part 6B575400	① Body - ASTM A513 Gr. 1026 TYPE 5 ② Flange - ASTM A515 Gr. 70	15 lbs.



OUTLET VALVE ROD NOZZLE PACKING GLAND	MATERIAL	WEIGHT
DWG. 1-B-0168 Stock Part 6B016800	AAR-M-201 Gr. B Cast Steel	2 lbs.