

**ARI MODEL HP1108**

# **SAFETY RELIEF VALVE**

**PROTECT THE ENVIRONMENT, YOUR PEOPLE AND PROCESSES.**



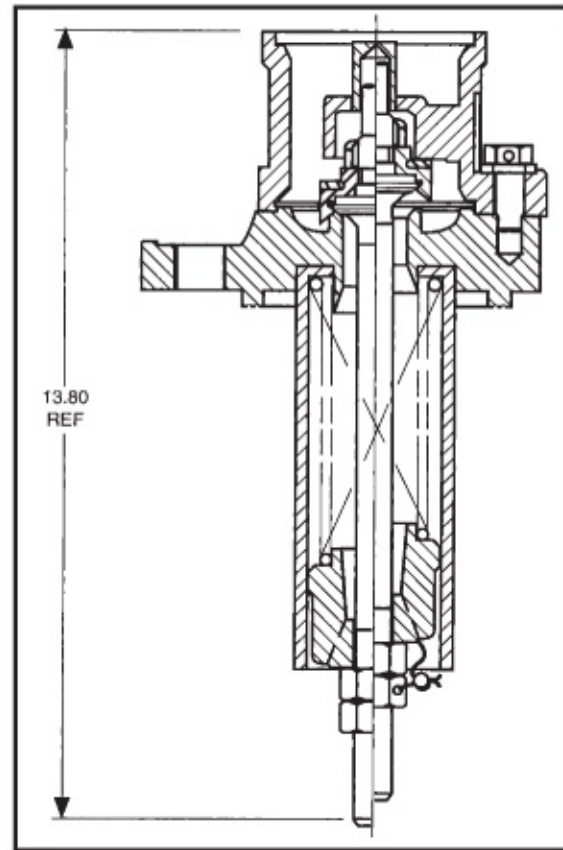
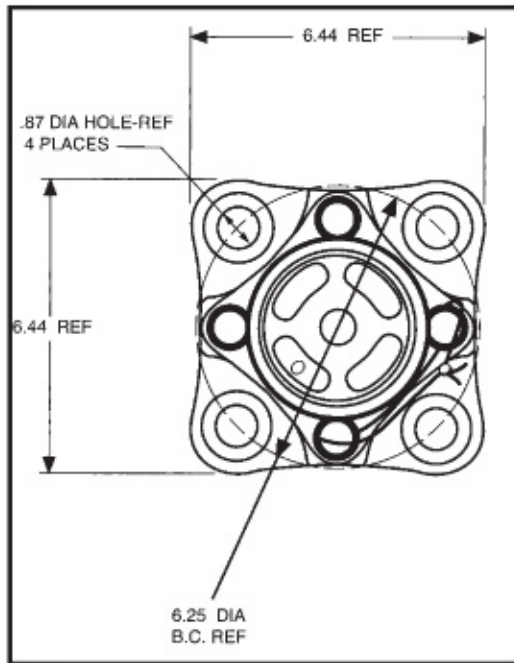
ISO 9002 CERTIFIED  
AAR APPROVAL # - SRD 971023



*SPECIAL PRODUCTS GROUP*  
*AMERICAN RAILCAR INDUSTRIES*

100 Clark Street, St. Charles, MO 63301-2075 ■ Ph. 636-940-6020 ■ Fax: 636-940-6100

# SAFETY RELIEF VALVE HP1108



## STANDARD FEATURES

- One valve with six certified flow ratings
  - 2721 scfm @ 225 psig
  - 2896 scfm @ 247.5 psig
  - 3074 scfm @ 255 psig
  - 3374 scfm @ 280.5 psig
  - 3732 scfm @ 300 psig
  - 4077 scfm @ 330 psig
- Smaller valve reduces cost
- Smaller "footprint" on manway cover
- Carbon steel with stainless steel trim
- O-rings compatible with service
- Over 50 years of proven valve design and manufacturing
- ISO 9002 certified facility
- AAR approval # - SRD 971023



**FOR SALES and SERVICE:**

***SPECIAL PRODUCTS GROUP***  
***AMERICAN RAILCAR INDUSTRIES***

[www.americanrailcar.com](http://www.americanrailcar.com)  
[specialproducts@americanrailcar.com](mailto:specialproducts@americanrailcar.com)

100 Clark Street, St. Charles, MO 63301-2075 Ph. 636-940-6020 • Fax: 636-940-6100