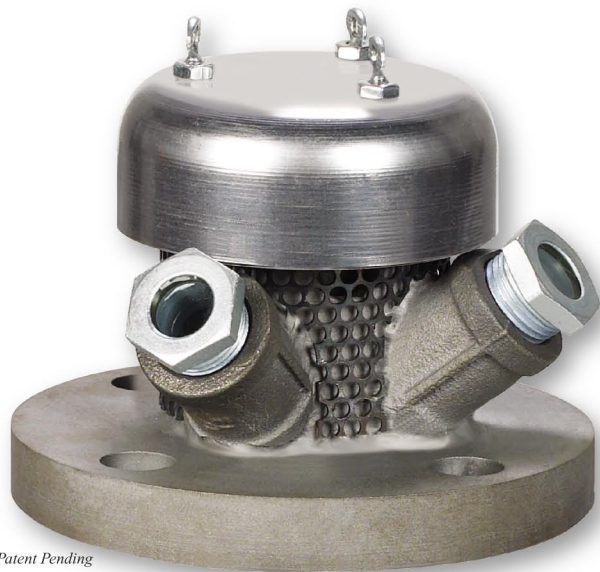
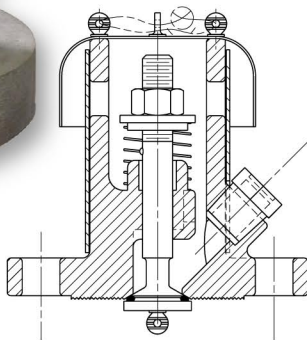



TAKE A PEEK INSIDE

ARI's new S1626 vacuum relief valve has two sight glasses 90° apart. Shine a light into one to provide a clear view of interior through the other.



Patent Pending



- Helps reduce NARs 
- Operates only under vacuum, cannot be manually operated
- Set Points (psi): 0.75, 2.0 and 3.0
- Stainless or carbon steel construction
- O-ring replacement without valve disassembly
- Tamper evident
- Debris screen
- Flanged or NPT connections
- Stem retention feature



SPECIAL PRODUCTS
AMERICAN RAILCAR INDUSTRIES, INC.

100 Clark Street, St. Charles, Missouri 63301

636-940-6020 • 636-940-6100 fax

www.americanrailcar.com